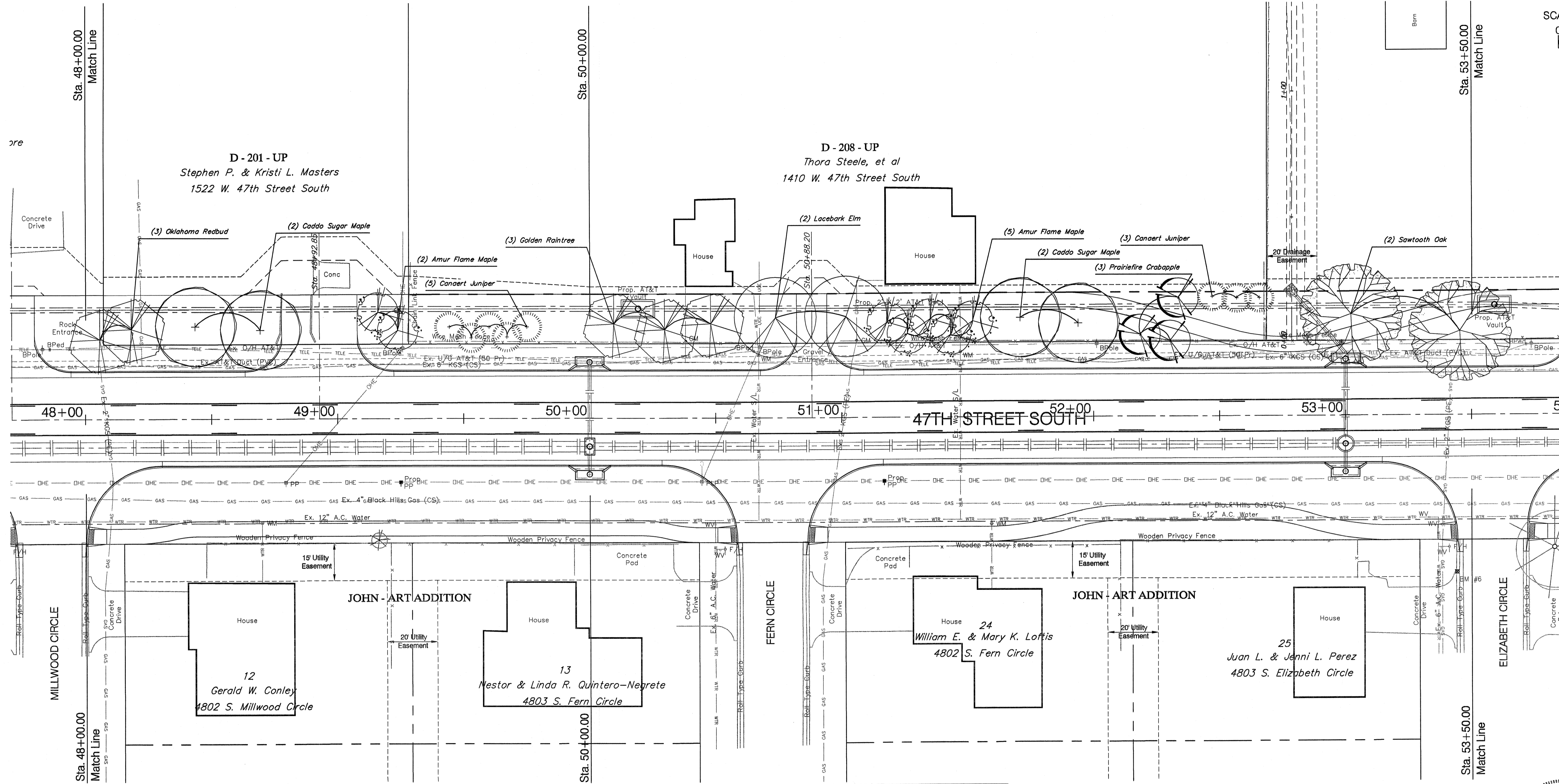
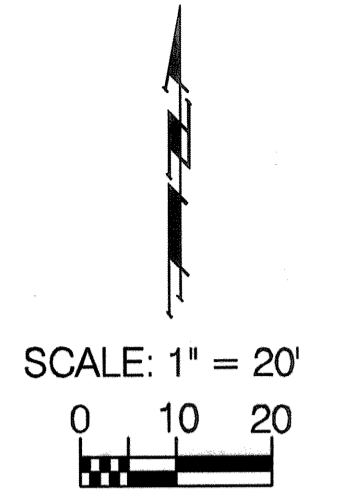


BENCHMARK:
 BM #5 - "T" Cut into Top of Curb in the Northwest Corner of the Intersection of 47th Street South and Vine Avenue
 Sta. 45+17, 66' Lt.
 Elev. = 1272.89 (MSL)

| | | | | | |
|-----------------|--------|--------------|-------------|-----------|--------------|
| FHWA REGION NO. | STATE | PROJECT NO. | FISCAL YEAR | SHEET NO. | TOTAL SHEETS |
| 7 | KANSAS | 87 N-0394-01 | 2010 | 105 | 129 |



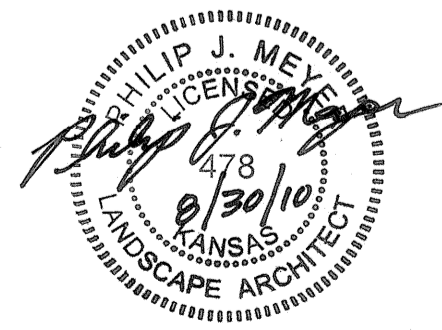
Plant List - This Sheet Only

| Count | SCIENTIFIC | COMMON | SIZE | METHOD | NOTE |
|-------|--|----------------------|---------|--------|----------------|
| 4 | <i>Acer saccharum</i> 'Caddo' | Caddo Sugar Maple | 3" Cal | B&B | Full & Healthy |
| 7 | <i>Acer tataricum</i> var. <i>ginnala</i> 'Flame' | Amur Flame Maple | 3" Cal | B&B | Full & Healthy |
| 2 | <i>Cercis canadensis</i> ssp. <i>texensis</i> 'Oklahoma' | Oklahoma Redbud | 2" Cal | B&B | Full & Healthy |
| 8 | <i>Juniper virginiana</i> 'Conaertii' | Conaert Juniper | 10'-12' | B&B | Full & Healthy |
| 3 | <i>Koeleruteria paniculata</i> | Golden Raintree | 2" Cal | B&B | Full & Healthy |
| 3 | <i>Malus</i> 'Prairifire' | Prairifire Crabapple | 3" Cal | B&B | Full & Healthy |
| 2 | <i>Quercus acutissima</i> | Sawtooth Oak | 3" Cal | B&B | Full & Healthy |
| 2 | <i>Ulmus parvifolia</i> 'Allee' | Lacebark Elm | 3" Cal | B&B | Full & Healthy |

Drawing File: E:\eng\47th St South\47thS_Landscape.dwg
 Project No. 05-10E397 CAPITAL IMPROVEMENT PROJECT
 Design: BKB
 Drawn: BKB
 Approved: PJM
 Scale: 1"=20'

47TH STREET SOUTH LANDSCAPE
 Sta. 48+00.00 to Sta. 53+50.00
 47TH STREET SOUTH - MERIDIAN AVENUE to SENEGA STREET

Baughman Company, P.A.
 315 Ellis St., Wichita, KS 67211 P 316-262-7271 F 316-262-0149
 ENGINEERING | SURVEYING | PLANNING | LANDSCAPE ARCHITECTURE



August 2010
 SHEET
 OF 105
 129