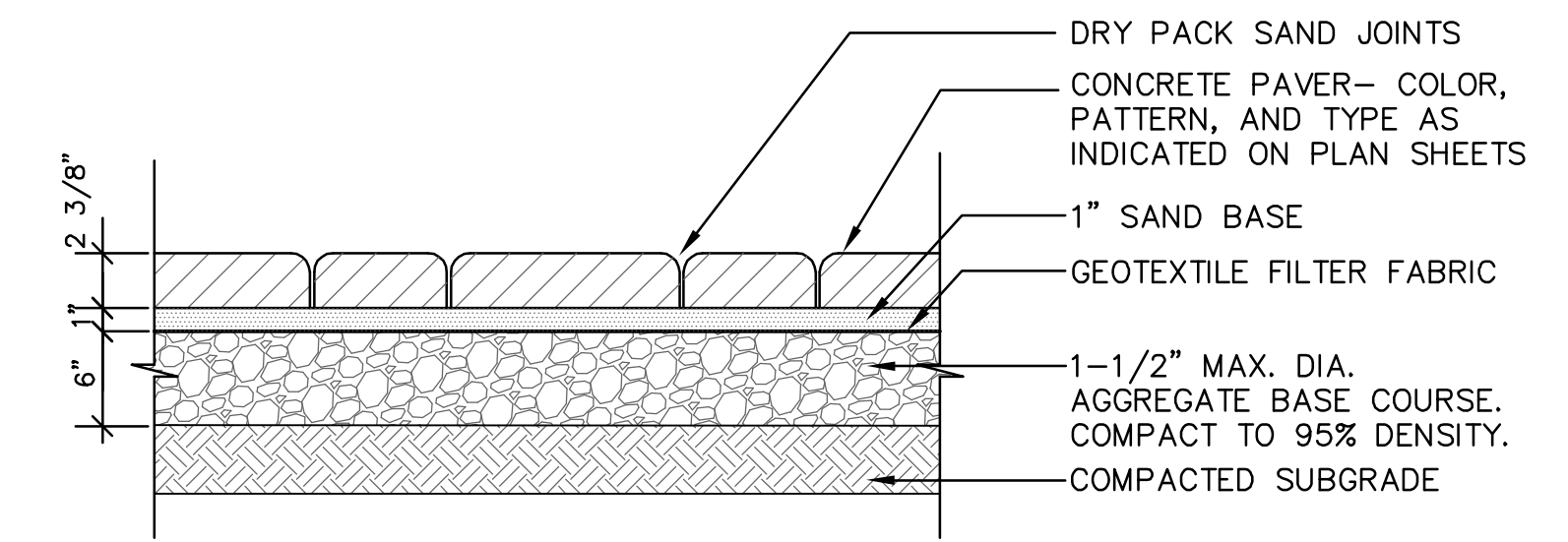


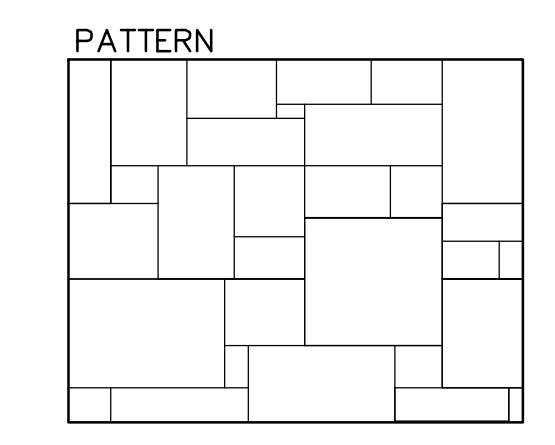
**1 Typical Section (4" Concrete)**  
Not to Scale



**NOTES:**

- ALL PAVERS SHALL BE CUT WITH A MOTOR DRIVEN SAW.
- PAVERS AT THE 17TH STREET PAUSE POINT SHALL BE RESTRAINED BY THE ADJACENT 4" CONCRETE SIDEWALK.
- CONCRETE PAVERS MAY VARY IN THICKNESS BY MANUFACTURER. PAVERS SHOWN ARE 2 3/8" THICK. VERIFY PAVER THICKNESS PRIOR TO EXCAVATION AND SUBGRADE PREPARATION.

**2 Concrete Paver Section**  
Not to Scale



**OPTION 1:**  
MANUFACTURER: BELGARD  
STYLE: DUBLIN COBBLE  
PATTERN: 15-20% LARGE STONE  
COLOR: 60% RED BLACK  
40% BURNT WALNUT

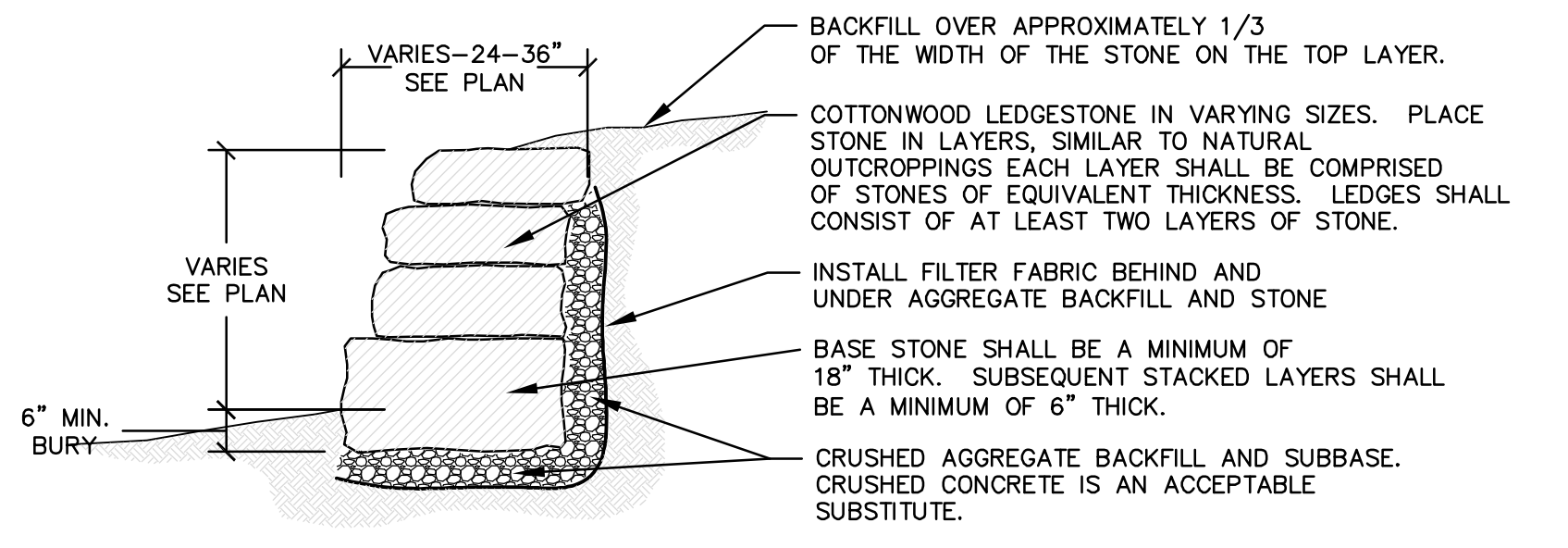
-OR-

**OPTION 2:**  
MANUFACTURER: PAVESTONE  
STYLE: PLAZA RECTANGLE & SQUARE, PLAZA II  
PATTERN: RANDOM  
COLOR: 60% ADOBE BLEND  
40% TERRA COTTA/ CHARCOAL BLEND

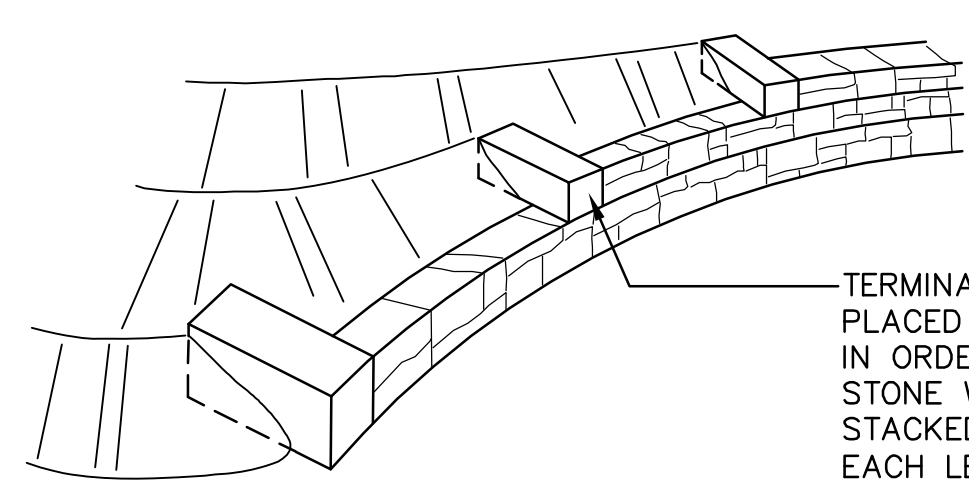
**3 Paving Pattern**  
Not to Scale

**NOTES:**

- STONE: COTTONWOOD LEDGESTONE  
A: MIN. 36" IN HORIZONTAL DIMENSION  
24- 36" DEEP  
6" THICK  
MAX. 60" IN HORIZONTAL DIMENSION  
24- 36" DEEP  
18" THICK
- STONE SHALL HAVE ALL QUARRY MARKS AIR HAMMERED OUT TO REMOVE ANY VISIBLE MACHINE/ DRILL MARKINGS.
- STONE PLACEMENT SHALL BE FIELD DIRECTED BY THE LANDSCAPE ARCHITECT.
- SELECTION OF THE STONE SHALL BE APPROVED AT THE SOURCE BY THE LANDSCAPE ARCHITECT PRIOR TO PURCHASE AND DELIVERY OF THE STONE.



**4 Limestone Ledge**  
Not to Scale



**5 Limestone Ledge- Layer Termination**  
Not to Scale

I-135 to K-96 BIKE PATH  
17TH STREET PAUSE POINT AND DETAILS  
WICHITA, KANSAS

**Ruggles & Bohm, P.A.**  
Engineering, Surveying, Land Planning

924 North Main (316) 264-8008  
Wichita, Kansas 67203 (316) 264-4621 fax  
www.rbkansas.com E-mail: info@rbkansas.com

DESIGN	BDT	SHEET 47 OF 72
DRAWN	BDT	
REVIEW	--	
UTILITY	--	
DATE	--	

DRAWING FILE: Landscape Base [LSCAPE 01] PROJECT NUMBER: .....