

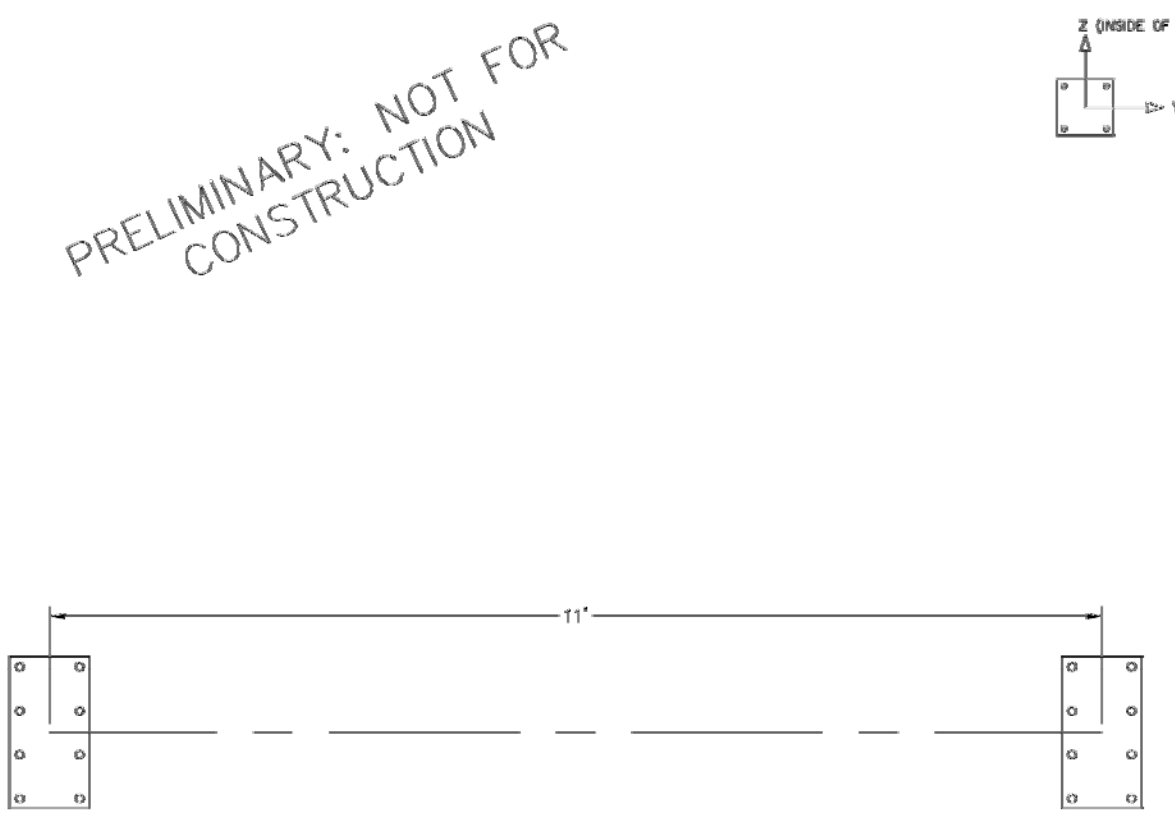
PRELIMINARY: NOT FOR CONSTRUCTION

**ICON**  
Shelter Systems Inc.  
1451 BRIDLEWAY AVE.  
HOLLAND MI 48423  
616.766.0999  
616.766.0999  
616.766.0994 FAX

Elevation

DRAWN BY: JSW  
DATE: 3/25/09  
JOB NO.:  
STANDARD  
REVISION:  
BUILDING TYPE: US7x12G-P5  
PROJECT NAME: 36-100-100  
SHEET 1.0

DWG: \\icon\Company\Engineering\Standard\Shelters\US7x12G-P5-36-100-100\Drawings\Preliminary\US7x12G-P5-36-100-100-1179.dwg

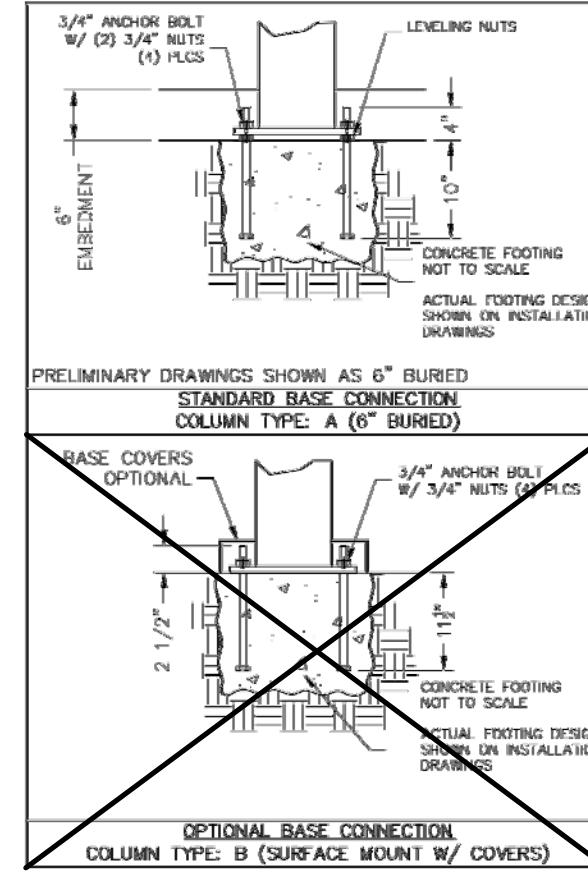


LOAD COMBINATION	FOUNDATION LOADS				
	AXIAL (k)	SHEAR (k)	SHEAR (k)	MOMENT (k-ft)	MOMENT (k-ft)
SL	0.39	-0.37	0.00	0.50	-0.05
SL	1.39	0.00	0.00	0.67	-0.77
W-UPLIFT	-0.77	0.00	0.17	-2.34	1.75
W-FY	-0.77	0.25	0.17	3.34	1.75
W-FZ	0.78	0.03	-0.37	3.31	0.09
E-FY	-0.35	0.43	-0.59	0.65	4.71
E-FZ	0.50	0.01	-0.63	6.78	0.04

THESE FOUNDATION LOADS ARE FOR ESTIMATING PURPOSE ONLY. THE ACTUAL LOADS WILL BE DETERMINED IN THE FINAL ENGINEERING.

**NOTES:**  
- THESE SHOWN UNFACTORED SERVICE LOADS  
- A FOUNDATION DESIGN HAS NOT BEEN PERFORMED BY ICON SHELTER SYSTEMS INC.  
- A LICENSED ENGINEER MUST REVIEW THE FOUNDATION DESIGN AND VERIFY THE FOUNDATION DESIGN.  
- THE STRUCTURE HAS BEEN CHARACTERIZED AS AN OPEN STRUCTURE.  
- CONSULT ICON SHELTER SYSTEMS INC. IF THE STRUCTURE IS TO BE ENCLOSED.  
- COORDINATES ARE LOCK TO THE COLUMN.

**DEFINITIONS:**  
SL = SERVICE LEVEL, DEAD LOAD REACTION WITH THE GREATEST AXIAL LOAD  
SL = SERVICE LEVEL, SNOW LOAD REACTION WITH THE GREATEST AXIAL LOAD  
W-UPLIFT = SERVICE LEVEL, WIND LOAD REACTION WITH THE GREATEST UPLIFT LOAD  
W-FY = SERVICE LEVEL, WIND LOAD REACTION WITH THE GREATEST MAGNITUDE OF SHEAR IN THE LOCAL Y DIRECTION  
W-FZ = SERVICE LEVEL, WIND LOAD REACTION WITH THE GREATEST MAGNITUDE OF SHEAR IN THE LOCAL Z DIRECTION  
E-FY = SERVICE LEVEL, EARTHQUAKE LOAD REACTION WITH THE GREATEST MAGNITUDE OF SHEAR IN THE LOCAL Y DIRECTION  
E-FZ = SERVICE LEVEL, EARTHQUAKE LOAD REACTION WITH THE GREATEST MAGNITUDE OF SHEAR IN THE LOCAL Z DIRECTION

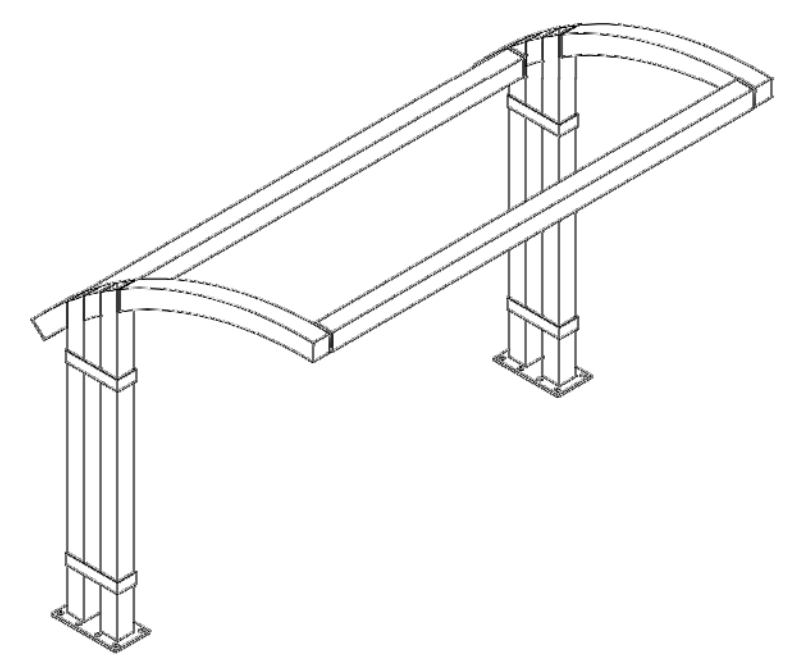
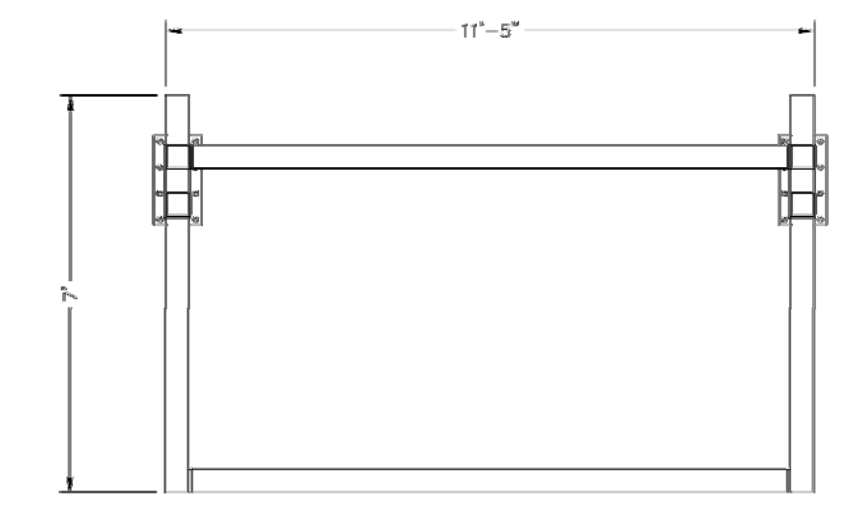


**ICON**  
Shelter Systems Inc.  
1451 BRIDLEWAY AVE.  
HOLLAND MI 48423  
616.766.0999  
616.766.0999  
616.766.0994 FAX

Anchor Bolt Layout

DRAWN BY: JSW  
DATE: 3/25/09  
JOB NO.:  
STANDARD  
REVISION:  
BUILDING TYPE: US7x12G-P5  
PROJECT NAME: 36-100-100  
SHEET 2.0

DWG: \\icon\Company\Engineering\Standard\Shelters\US7x12G-P5-36-100-100\Drawings\Preliminary\US7x12G-P5-36-100-100-1179.dwg



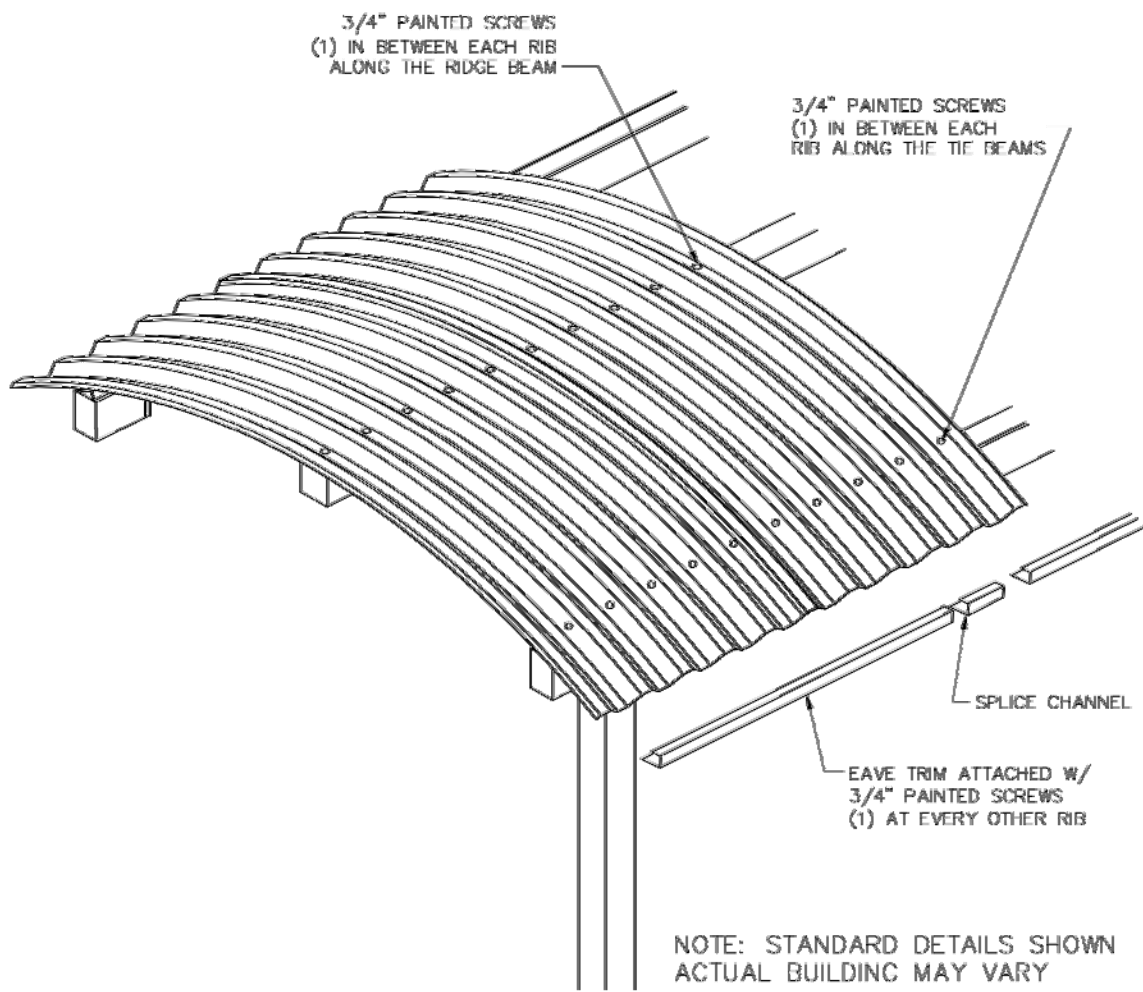
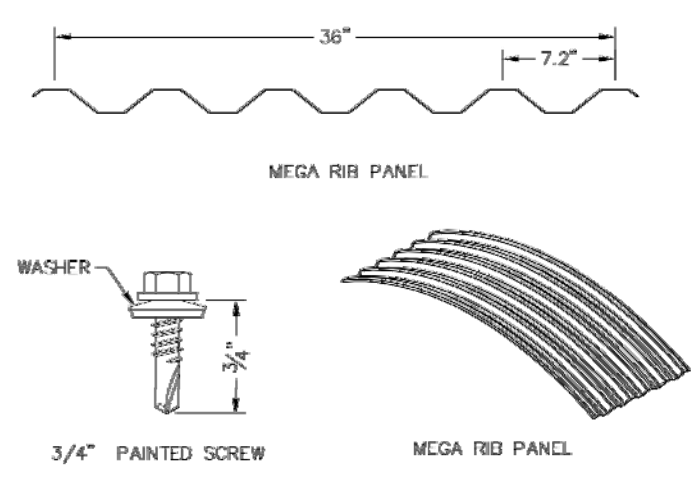
PRELIMINARY: NOT FOR CONSTRUCTION

**ICON**  
Shelter Systems Inc.  
1451 BRIDLEWAY AVE.  
HOLLAND MI 48423  
616.766.0999  
616.766.0999  
616.766.0994 FAX

Frame

DRAWN BY: JSW  
DATE: 3/25/09  
JOB NO.:  
STANDARD  
REVISION:  
BUILDING TYPE: US7x12G-P5  
PROJECT NAME: 36-100-100  
SHEET 3.0

DWG: \\icon\Company\Engineering\Standard\Shelters\US7x12G-P5-36-100-100\Drawings\Preliminary\US7x12G-P5-36-100-100-1179.dwg



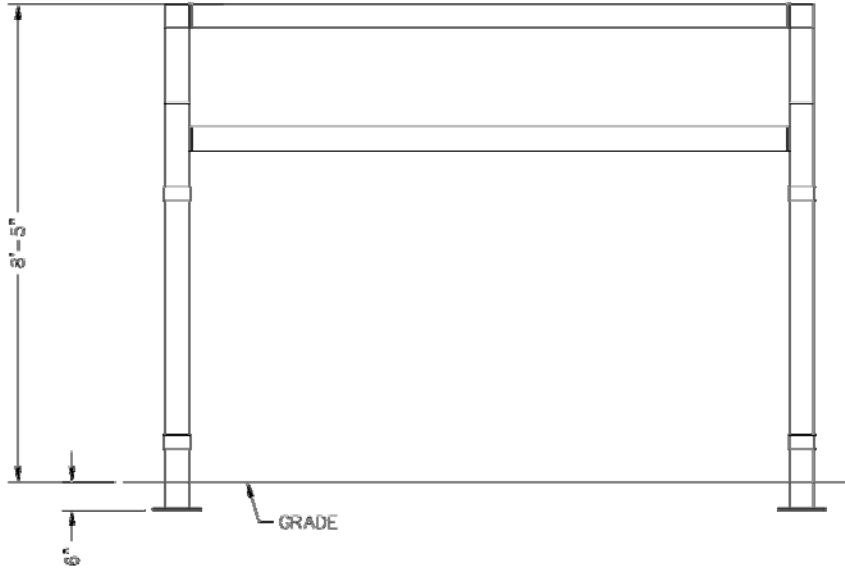
PRELIMINARY: NOT FOR CONSTRUCTION

**ICON**  
Shelter Systems Inc.  
1451 BRIDLEWAY AVE.  
HOLLAND MI 48423  
616.766.0999  
616.766.0999  
616.766.0994 FAX

Roof Layout

DRAWN BY: JSW  
DATE: 3/25/09  
JOB NO.:  
STANDARD  
REVISION:  
BUILDING TYPE: US7x12G-P5  
PROJECT NAME: 36-100-100  
SHEET 4.0

DWG: \\icon\Company\Engineering\Standard\Shelters\US7x12G-P5-36-100-100\Drawings\Preliminary\US7x12G-P5-36-100-100-1179.dwg



ALL STRUCTURAL COMPONENTS WILL BE:  
TUBE: ASTM A500 GRADE B  
PLATE: ASTM A36  
BOLTS: ASTM A325  
NUTS: ASTM A563  
WELDING: GMAW

NOTE:  
COLUMN SIZE: (2) HSS 5x5x3/16

I-135 to K-96 BIKE PATH  
19th St. SHADE STRUCTURE DETAILS  
WICHITA, KANSAS

**Ruggles & Bohm, P.A.**  
Engineering, Surveying, Land Planning  
924 North Main (316) 264-8008  
Wichita, Kansas 67203 (316) 264-4621 fax  
www.rbkansas.com E-mail: info@rbkansas.com

DESIGN: BDT  
DRAWN: BDT  
REVIEW:  
UTILITY:  
DATE: ..

PROJECT NUMBER: ..

DRAWING FILE: Landscape Base [SCAPE 14]

DESIGN: BDT  
DRAWN: BDT  
REVIEW:  
UTILITY:  
DATE: ..

SHEET 60 OF 72