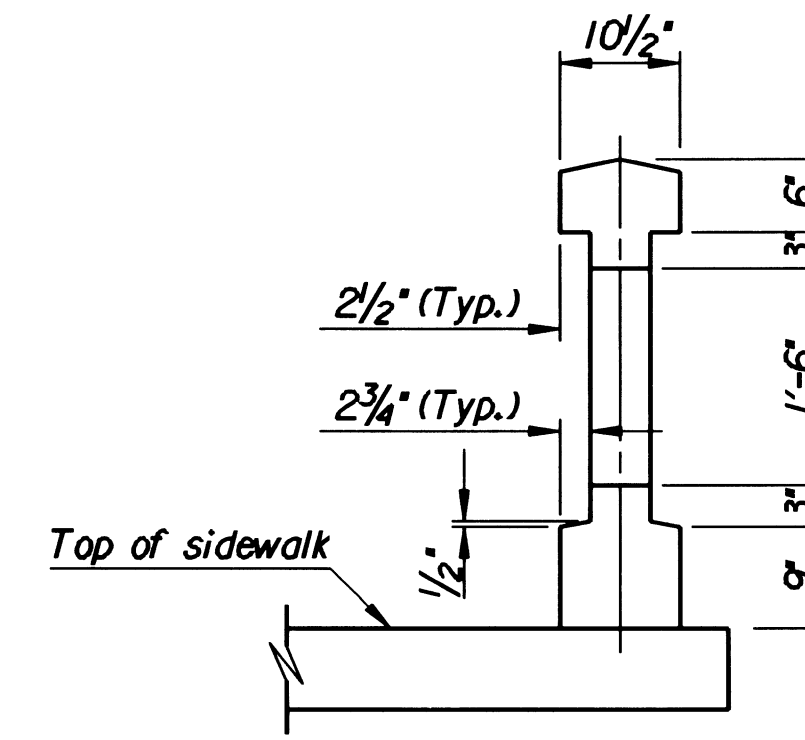
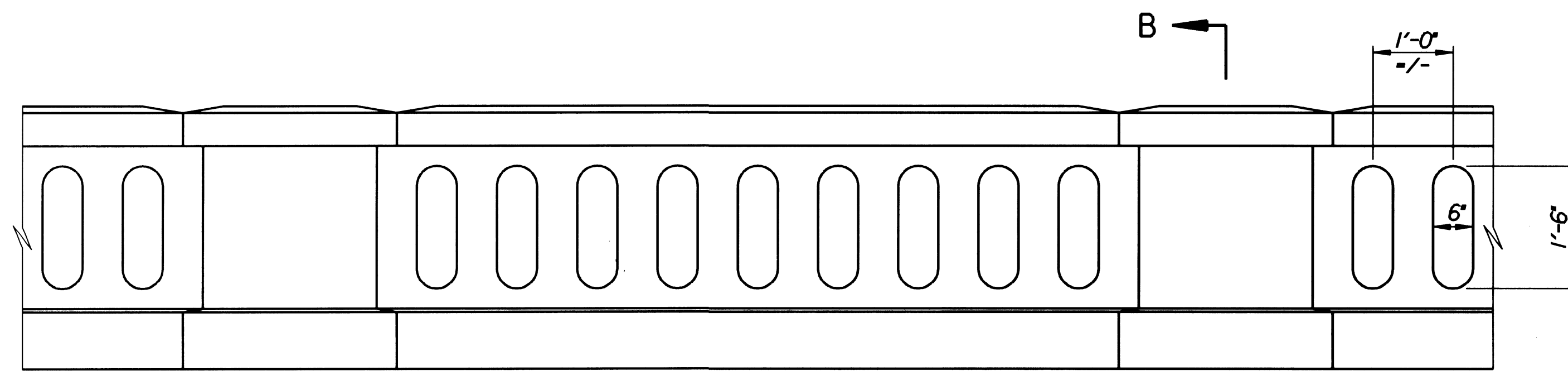


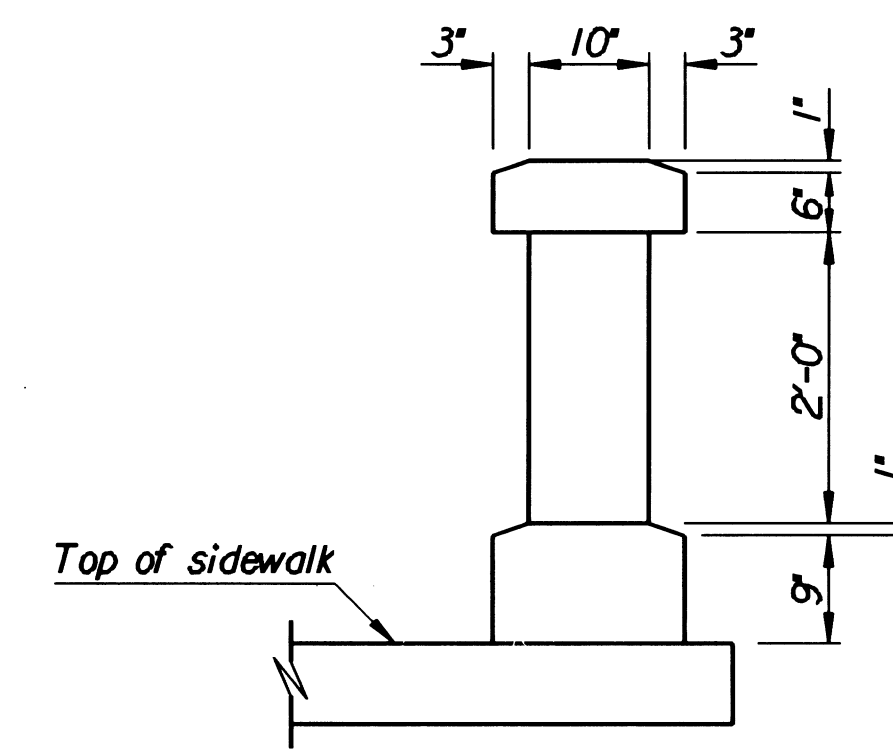
ELEVATION OF CENTER PANELS



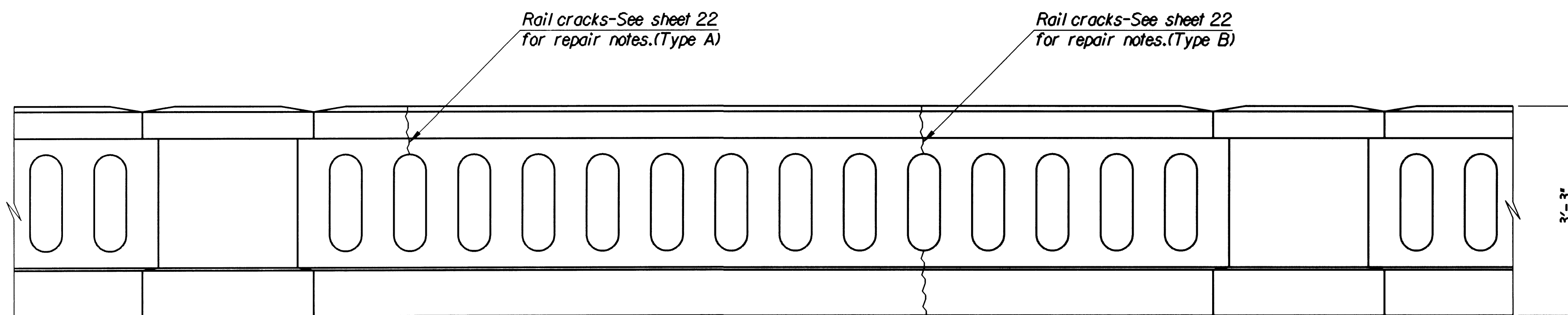
SECTION A-A



ELEVATION OF TYPICAL PANELS



SECTION B-B



DEVELOPED ELEVATION OF WALKOUT PANEL

Note: See sheet 22 for rail repair procedures.

No.	Revisions	By	Date
CITY OF WICHITA, KANSAS MICHAEL E. LINDEBAK, P.E.-CITY ENGINEER MURDOCK BRIDGE OVER LITTLE ARKANSAS RIVER RAIL DETAILS CITY OF WICHITA PROJECT NO. 472-82785 PROFESSIONAL ENGINEERING CONSULTANTS, P.A. <small>ENGINEERS</small> WICHITA, KANSAS			
Designed by	R.W.A.	Checked by	R.A.S.
Drawn by	W.L.L.	Date	October 1998 Job No. 96940

1:/1996/96940/rail.dgn
 drawn by: wil
 plotted by: ras 12-29-98