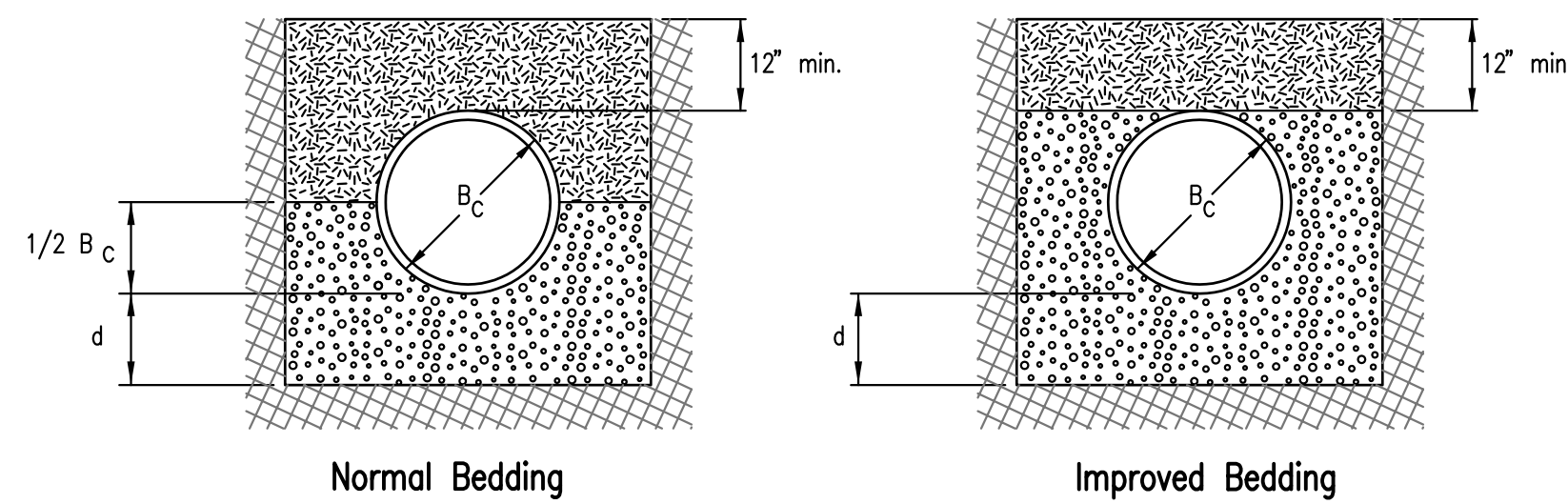
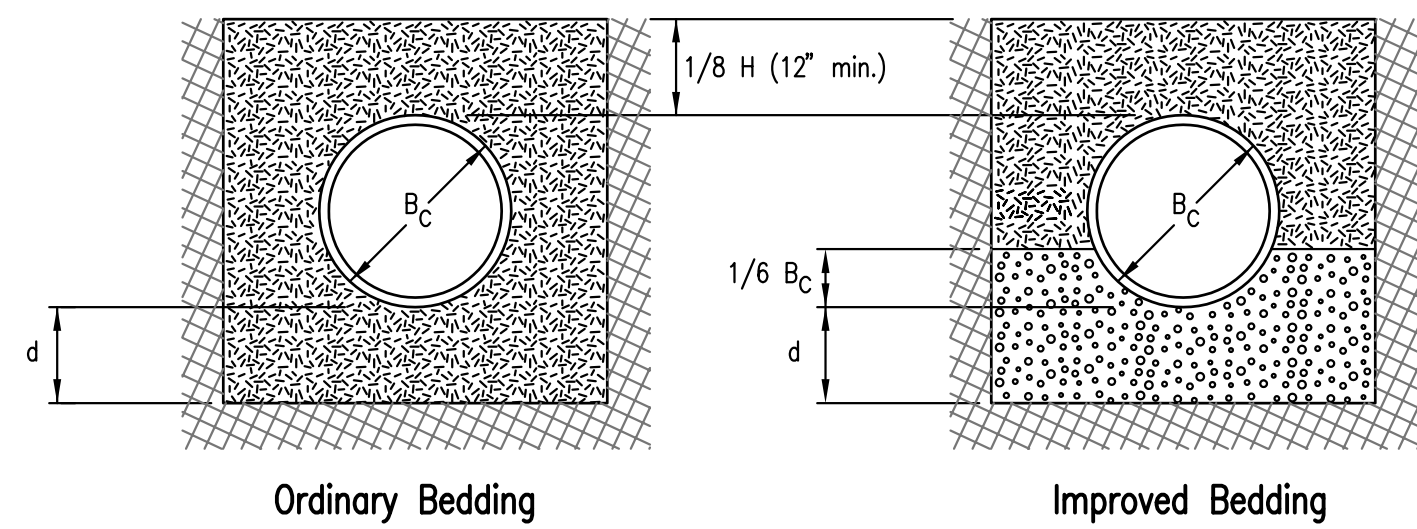


CLASS A



CLASS B



CLASS C

PIPE ZONE BACKFILLING

- B_c = Outside Pipe Diameter
- H = Backfill from Top of Pipe to Existing Ground
- D = Inside Pipe Diameter
- d = Depth of Bedding Material Below Pipe
- = Granular Bedding Material
- = Compacted Embedment
- = Concrete

Depth of Bedding Material Below Pipe		
D	d(min) Soil	d(min) Rock
27" & smaller	4"	6"

Granular Bedding Material shall be an approved material consisting of durable crushed rock conforming with the requirements of the latest revision of ASTM C-33 Size No. 67 (3/4" to No. 4); to be placed in not more than 6" layers and compacted by slicing with a shovel or vibrating. Soundness, abrasion, and absorption limits shall be as required for coarse aggregates in Section 03010-Concrete Work in the specifications.

Compacted Embedment shall be an approved sand material free from debris, organic material, and stones with 100% passing the 3/4" sieve to be placed in uniform layers not more than 6" thick and compacted to 95 percent maximum density as determined by ASTM D698. Granular Bedding Material may be substituted for all or part of Compacted Embedment Materials.

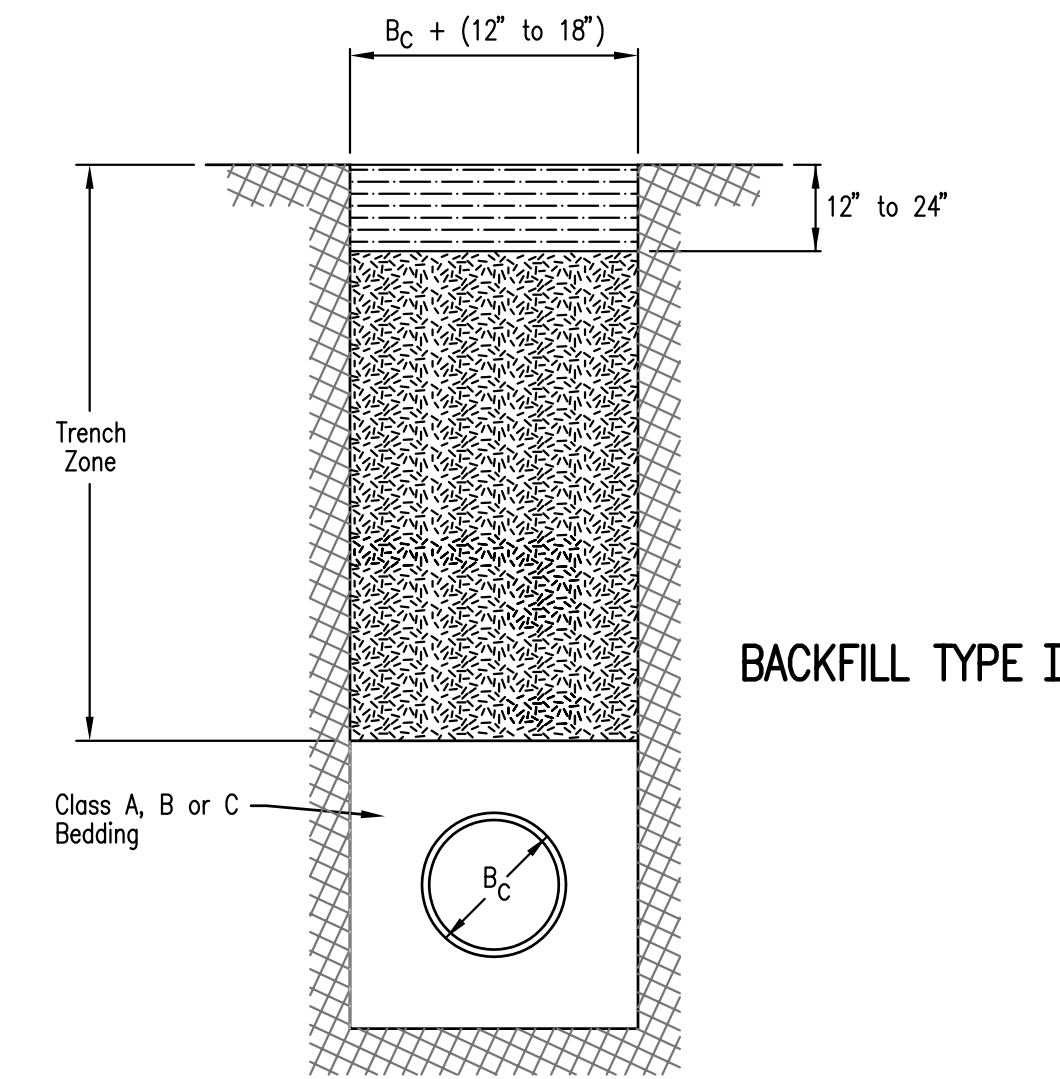
Class A "Concrete Cradle" and/or Class A "Concrete Encasement" is not required unless specified on the plans. However, where unexpected trench conditions exist or improper trenching is performed Class A Bedding may be required.

Class B Bedding shall be used for all flexible pipe.

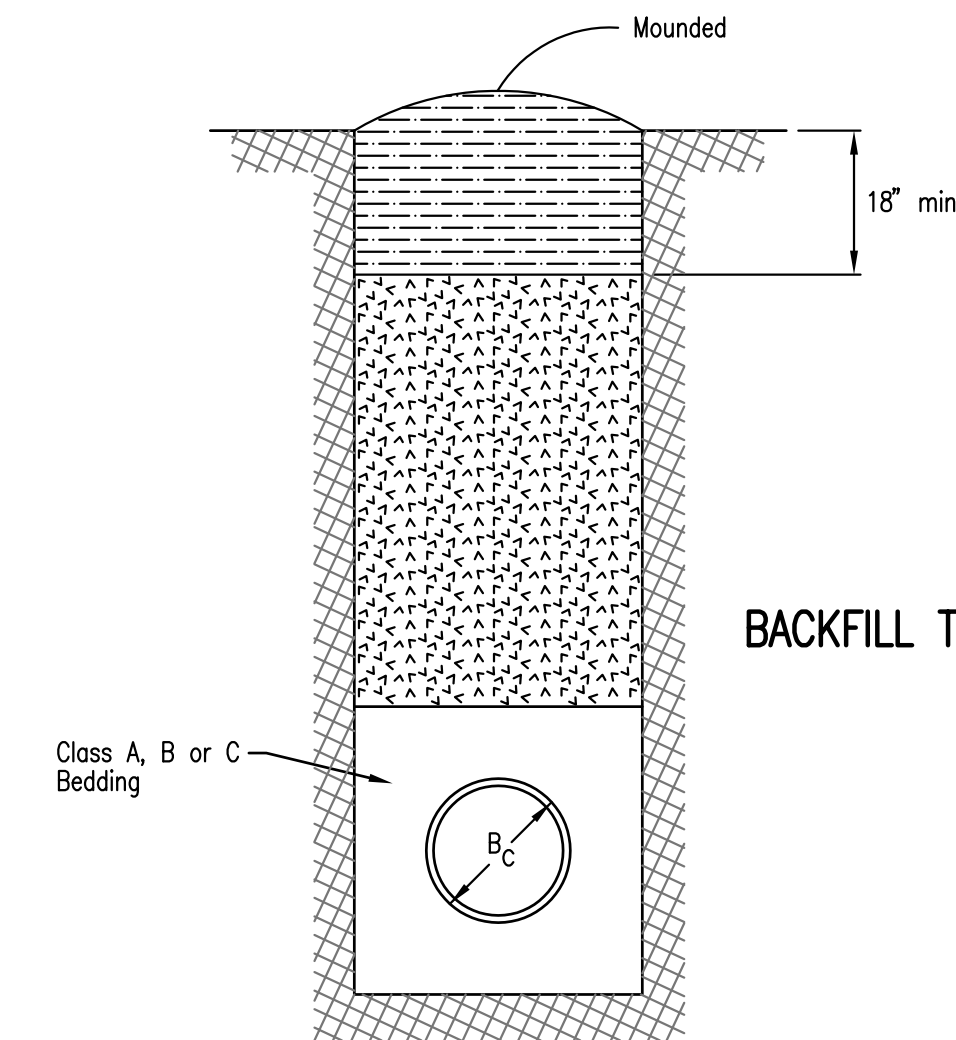
- a. Class B Normal Bedding shall be used for PVC Pipe unless wet conditions are encountered.
- b. Class B Improved Bedding shall be used for other flexible pipe, and for PVC pipe in wet conditions.

Class C Bedding shall be used for all rigid pipe.

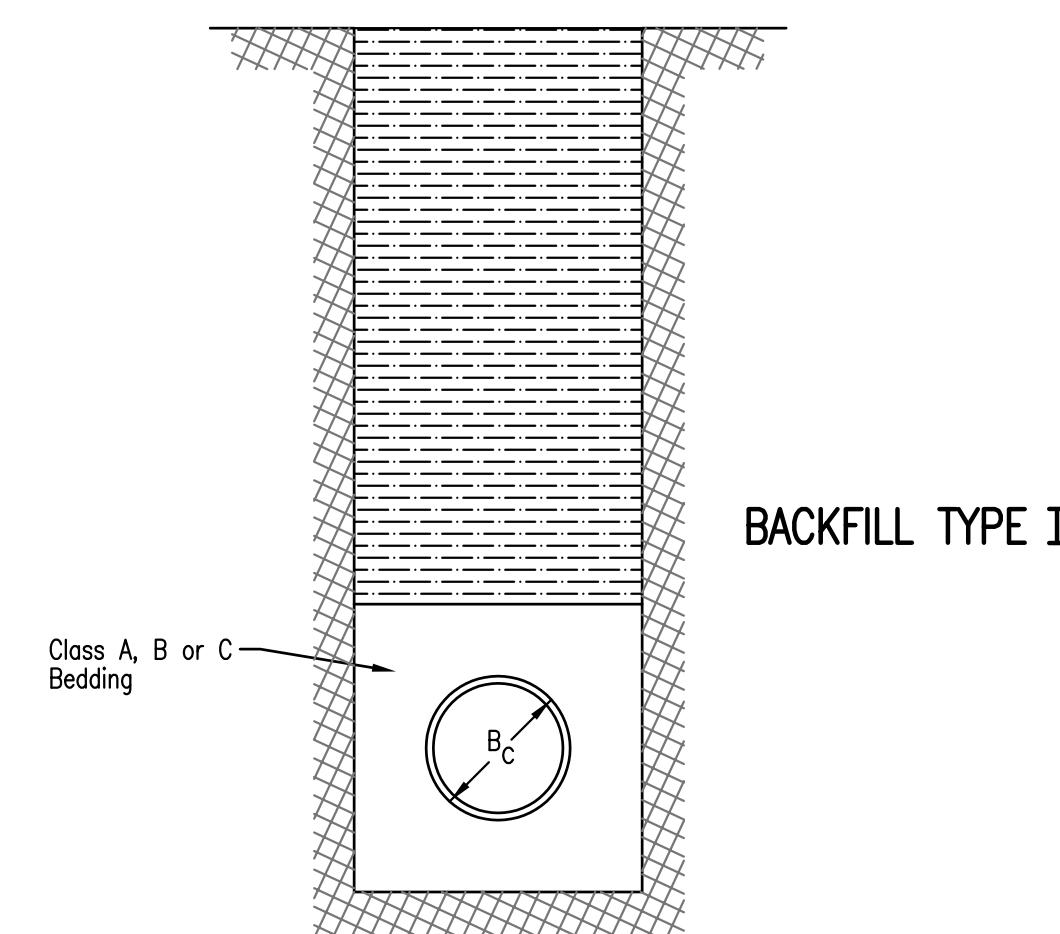
- a. Class C Ordinary Bedding shall be used for all rigid pipe unless wet conditions are encountered.
- b. Class C Improved Bedding shall be used for wet conditions existing in the trench, as directed by the Engineer, at no additional cost to the Owner. The dimensions shall be equal to that required for "rock" excavation (see specifications).



BACKFILL TYPE I



BACKFILL TYPE II



BACKFILL TYPE III

TRENCH ZONE BACKFILLING

- B_c = Outside Pipe Diameter
- = Compacted Granular Backfill
- = Uncompacted Earth Backfill
- = Compacted Earth Backfill

Compacted Granular Backfill material shall be an approved sand material free from debris, organic material and stones with 100% passing the 3/4" sieve and not more than 15% passing a No. 200 sieve; to be jetted and mechanically vibrated into place and compacted to 95% density as determined by ASTM D698.

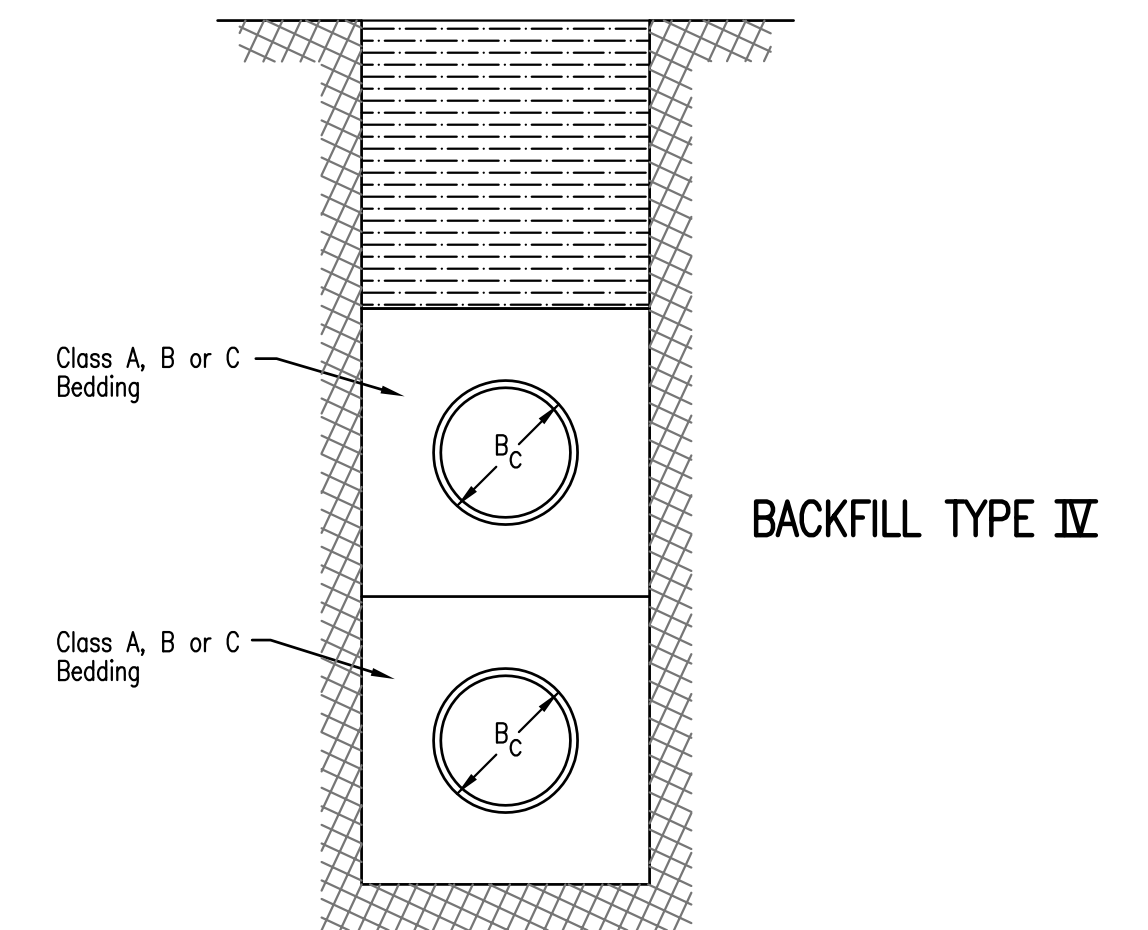
Uncompacted Earth Backfill material may be natural soil free from large clods or stones, brush, roots more than 2 inches in diameter, debris, and junk.

Compacted Earth Backfill shall consist of material existing prior to trenching or selected material as directed by the Engineer, and shall be compacted to 90% density as determined by ASTM D698.

Backfill: Backfill material and compaction requirements shall conform to either Type I, Type II or Type III as specified in the plans. One year maintenance will be required on all backfill.

Backfilling Through Rock: Backfilling through rock shall be performed as specified in the paragraph Backfill above, except that the Pipe Zone is increased to provide eighteen (18) inches of cover over the pipe. When approved by the Engineer the remainder of the backfill may be excavated rock provided the excavated rock has been broken up so that earth and rock will thoroughly mix and not result in voids around the larger pieces of rock. Any excess rock remaining after the trench has been backfilled shall be removed or wasted.

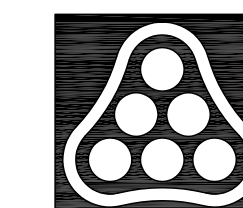
Backfilling Under Pavement: Backfilling under existing or proposed pavement shall be performed as Backfill Type I to a level of two (2) feet from the bottom of the pavement. The remainder of the trench shall be backfilled with selected material, sufficiently damp to be properly compacted in layers not exceeding six (6) inches in depth, compaction shall be performed with mechanical tampers and continued until a relative density of 100 percent of standard density, in conformance with ASTM D698 is attained.



BACKFILL TYPE IV

TRENCH ZONE BACKFILLING WITH MULTIPLE PIPES IN TRENCH

Sheet 09-29-2009 11:18:00 AM by CAE
 Plot Scale 1:1
 09-29-2009 11:18:20 PM
 O:\2004\0427A\004\WESTPUMP\BID\04274-004-C-12-West Pump Station Backfill Detail



No.	Revision	By	Date
PHASE II - STORM WATER DRAIN #332 WEST PUMP STATION BACKFILL DETAILS JAMES L. ARMOUR, P.E. - CITY ENGINEER CITY OF WICHITA PROJECT NO. 468-84396 Professional Engineering Consultants, P.A. 303 S. TOPEKA • WICHITA, KANSAS 67202 316-262-2691 • FAX 316-262-3003			
Designed by	EJJ, SCU	Job No.	35-04274-042
Drawn by	CAE	Date	SEPTEMBER 2009