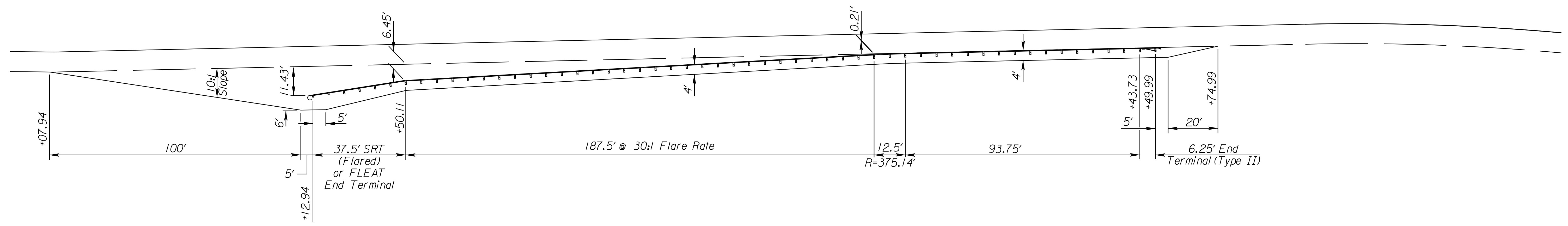
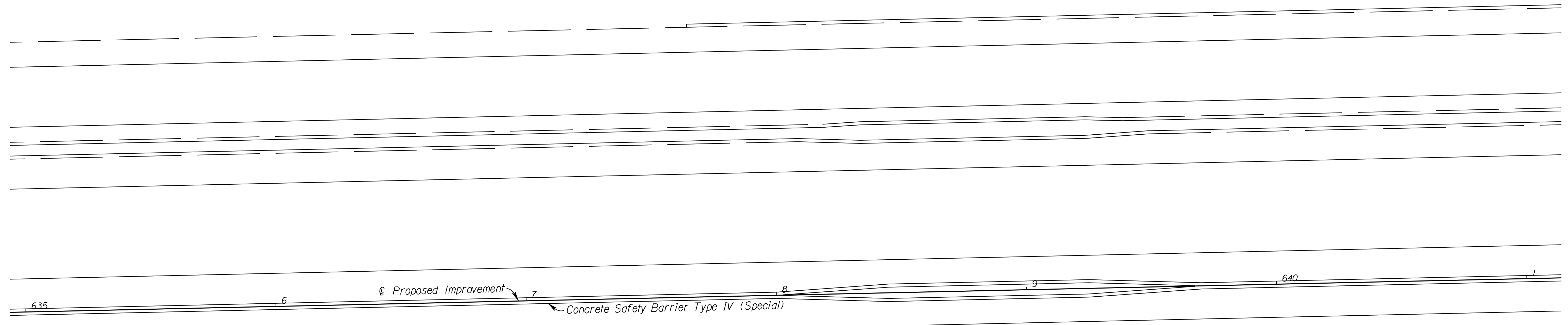
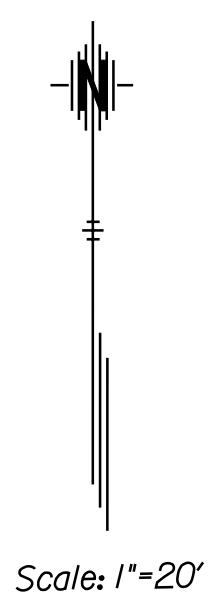


STATE	PROJECT NO.	YEAR	SHEET NO.	TOTAL SHEETS
KANSAS	472 84614	:	163	534



**Notes:**  
 Station, Offset, and Radius information for Guardrail is to face of rail.  
 See Sh. No's. for Guardrail Details.

Plan @ Sta. 638+00.00

CITY OF WICHITA  
 EAST KELLOGG  
 GUARDRAIL LAYOUT  
 EXISTING K96 OVER EAST KELLOGG

11:31:47 AM  
 2/8/2011  
 T:\35766A\Cadd\Sheets\Roadway\Details\EK2DR01.dgn  
 SURV. PLOT CADD DES. TR. CKD. APP.