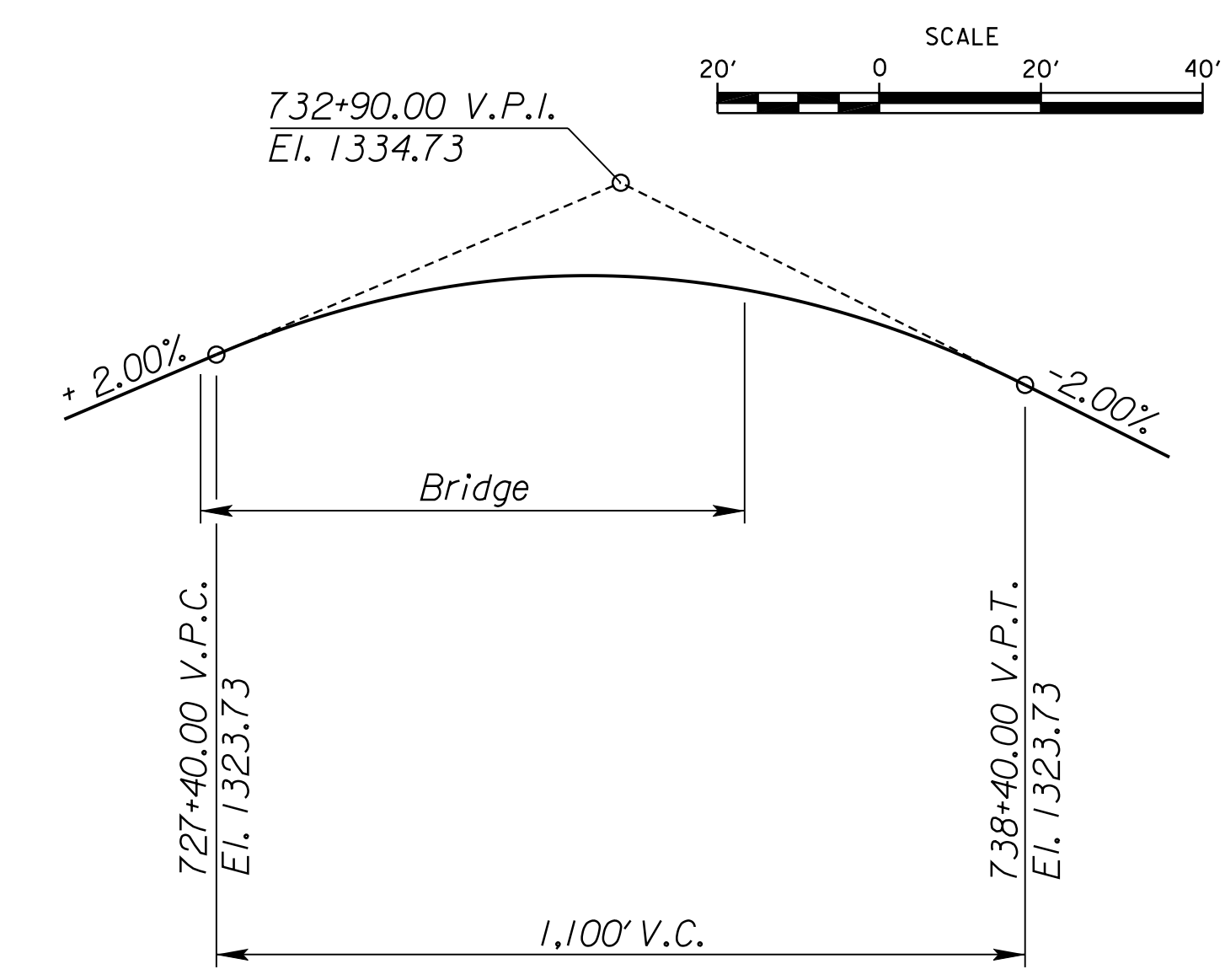
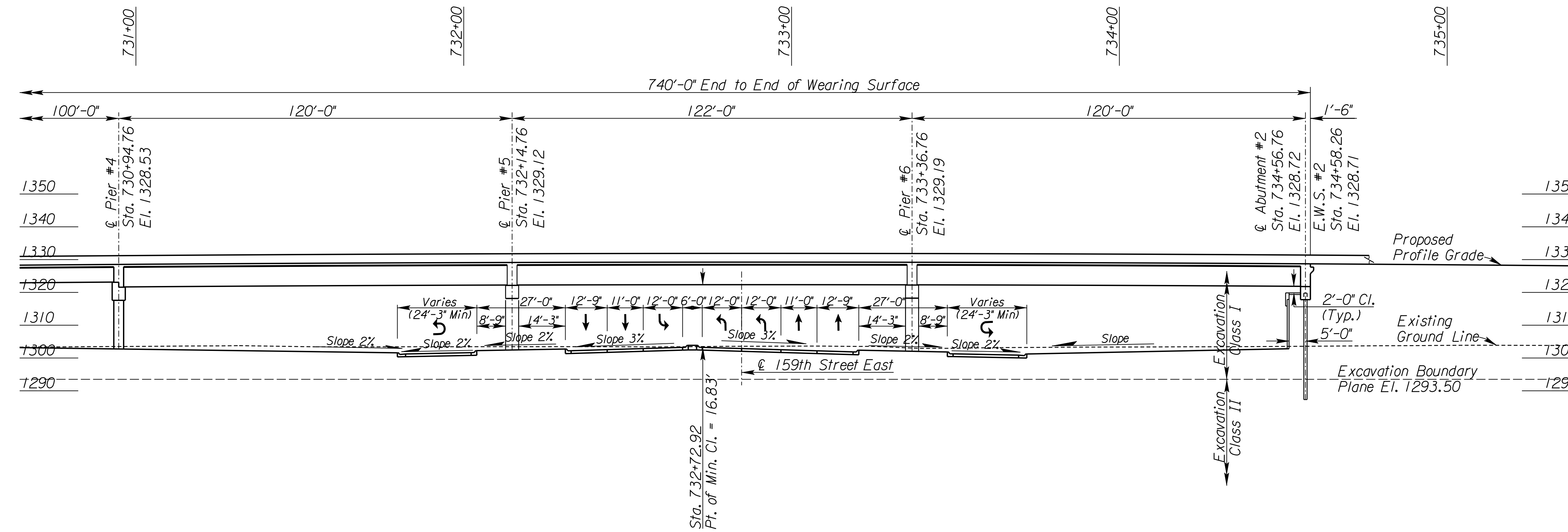


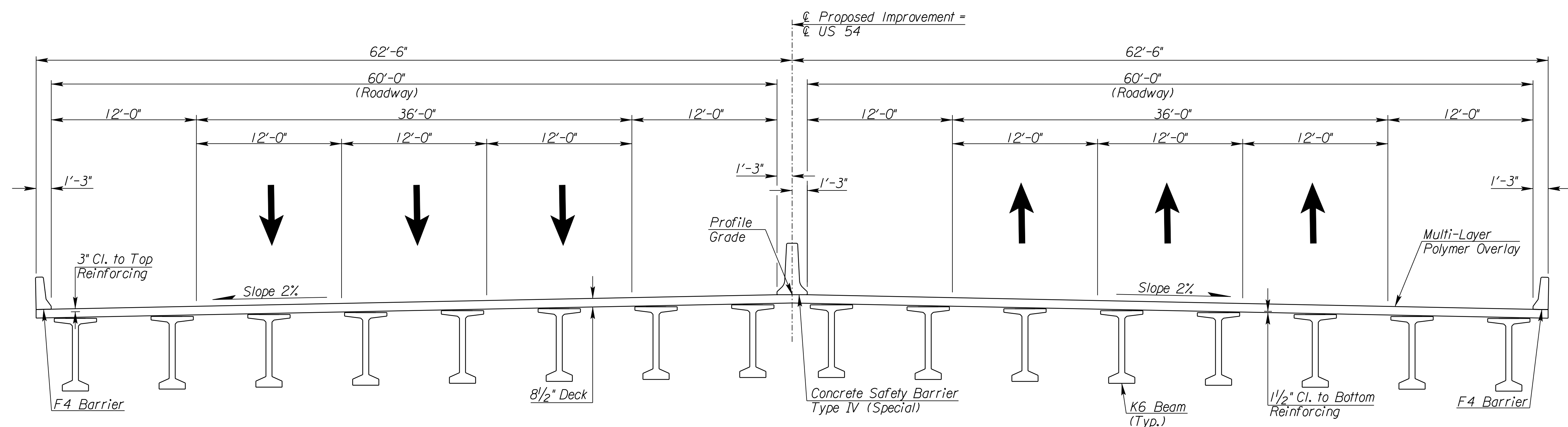
STATE	PROJECT NO.	YEAR	SHEET NO.	TOTAL SHEETS
KANSAS	472 84614	.	208	534



ELEVATION
 85'-90'-100'-100'-120'-122'-120'
 Continuous Prestressed Concrete Beam Spans;
 Pile Bent Abutments & Column Bent Piers,
 2-60' Roadways, 0° Skew

EAST KELLOGG VERTICAL PROFILE

159TH STREET EAST VERTICAL PROFILE
 See Intersection Details for Vertical Profile under bridge.



EAST KELLOGG OVER BROOKHAVEN CREEK & 159TH ST.
 Proposed Section for Unit II

CITY OF WICHITA
 EAST KELLOGG OVER BROOKHAVEN CREEK
 & 159TH STREET EAST
 CONSTRUCTION LAYOUT IV
 BR. NO. STA. 730+88.26

I:\4445 AM
 2/9/2011
 T:\35766A\Cadd\Sheets\Structures\Bridges\159\EK259CLY04.dgn
 SURV. PLOT CADD DES. DR. TR. CKD. APP.