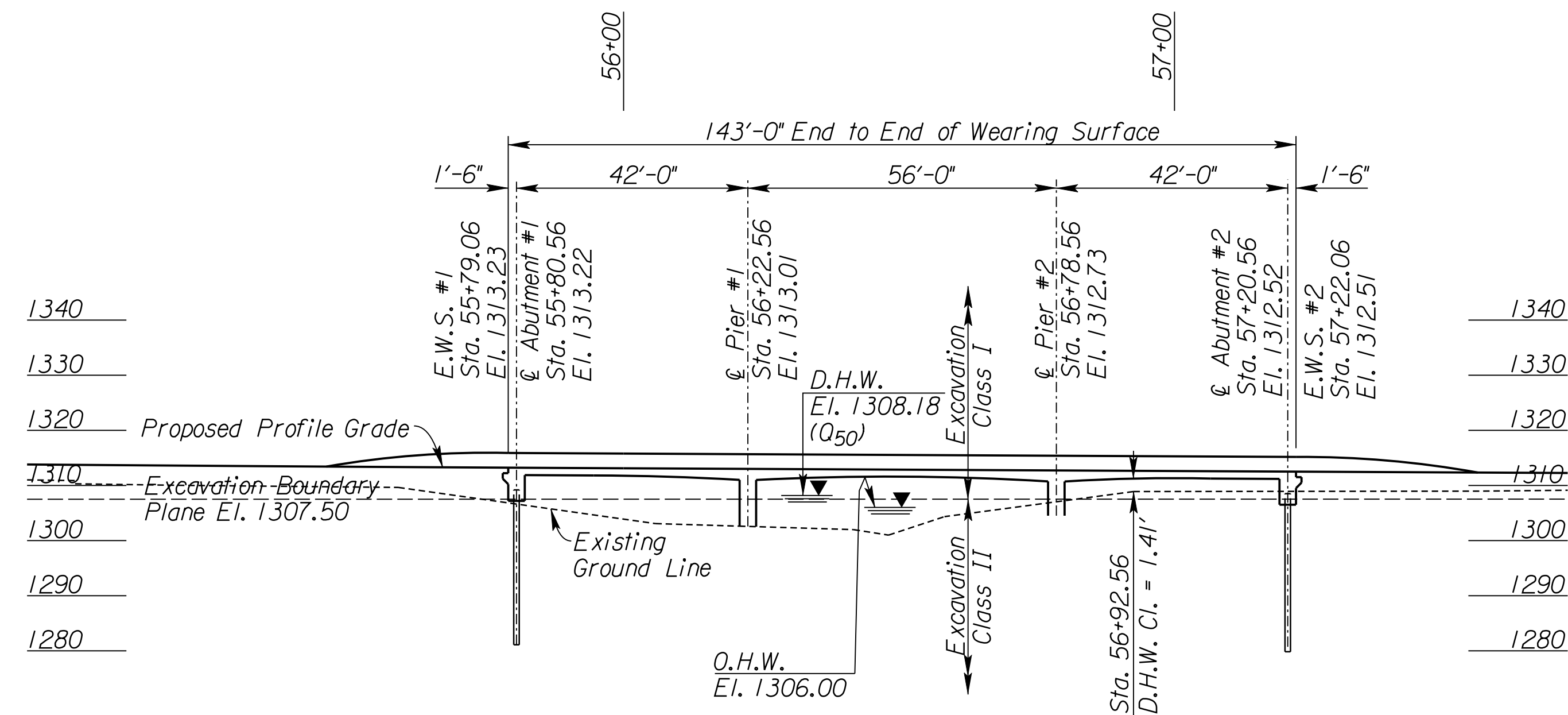
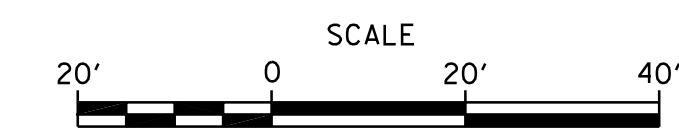
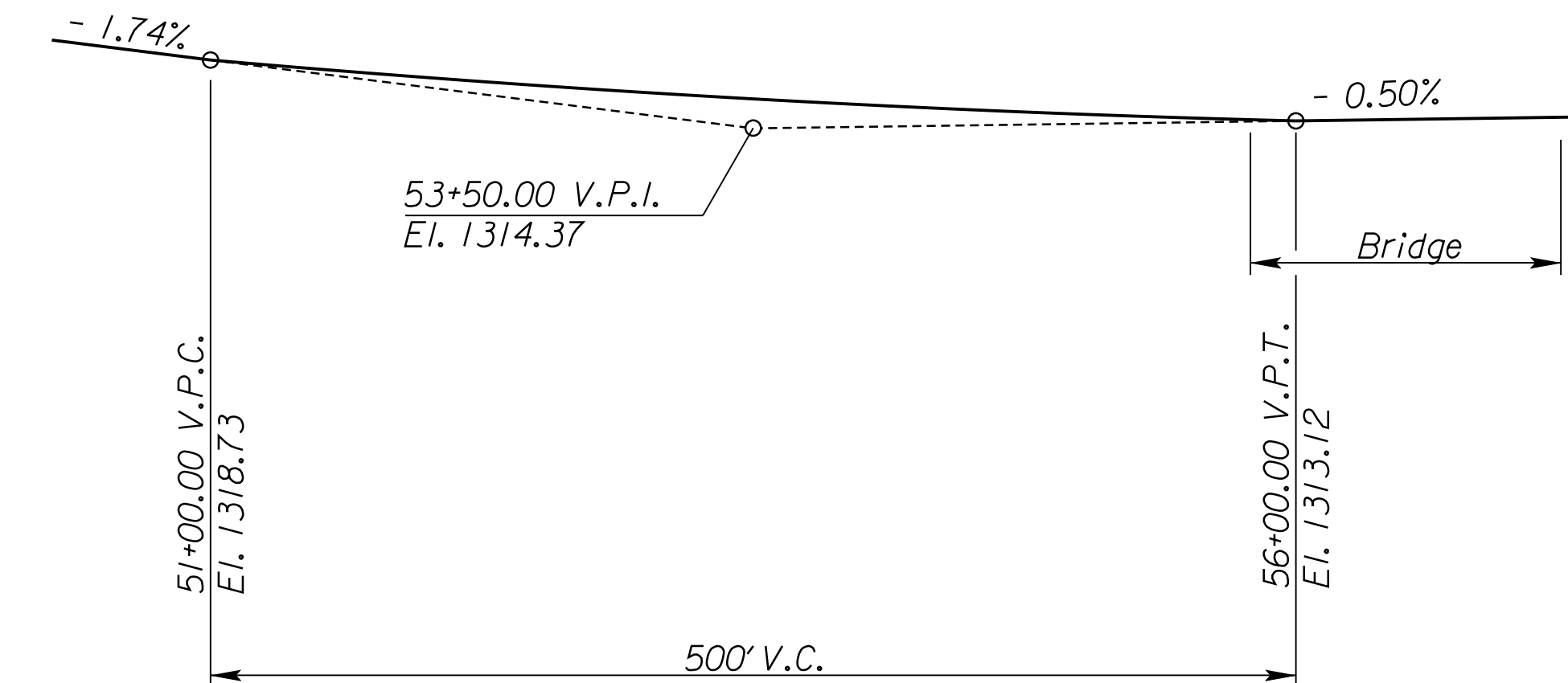


STATE	PROJECT NO.	YEAR	SHEET NO.	TOTAL SHEETS
KANSAS	472 84614	.	213	534



NOTE: Span lengths & elevations along Inside Barrier Face for Profile and stationing along $\text{\textcircled{C}}$ 143rd Street East.



VERTICAL PROFILE
(Based on $\text{\textcircled{C}}$ 143rd Street East profile, adjusted for cross-slopes to Inside Barrier Face for Profile.)

DESIGN LOADING:

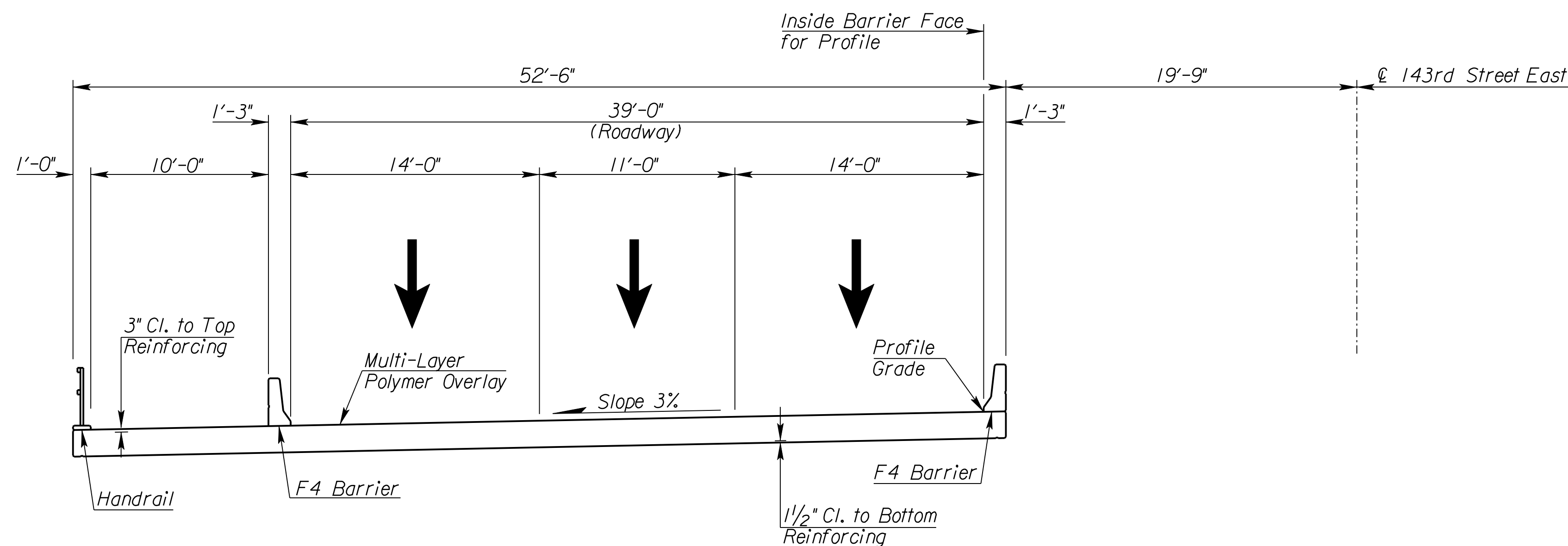
HL-93

UNIT STRESSES:

Concrete $f'_c = 4,000 \text{ psi}$
Reinforcing Steel $f_y = 60,000 \text{ psi}$

ELEVATION

42'-56'-42'
Reinforced Concrete Haunched Slab Spans;
Pile Bent Abutments & Column Bent Piers,
1-39' Roadway & 1-10' Sidewalk



NB 143RD STREET EAST OVER SPRING BRANCH TRIBUTARY #4

Proposed Section
(Looking Upstation)(Looking South)

CITY OF WICHITA
NB 143RD STREET EAST OVER
SPRING BRANCH TRIBUTARY #4
CONSTRUCTION LAYOUT II

BR. NO.

STA. 56+50.56

I:\46+27 AM
 2/9/2011
 T:\35766A\Cadd\Sheets\Structures\Bridges\143S\NB\EK24\NBCL102.dgn
 SURV. PLOT CADD DES. DR. TR. CKD. APP.