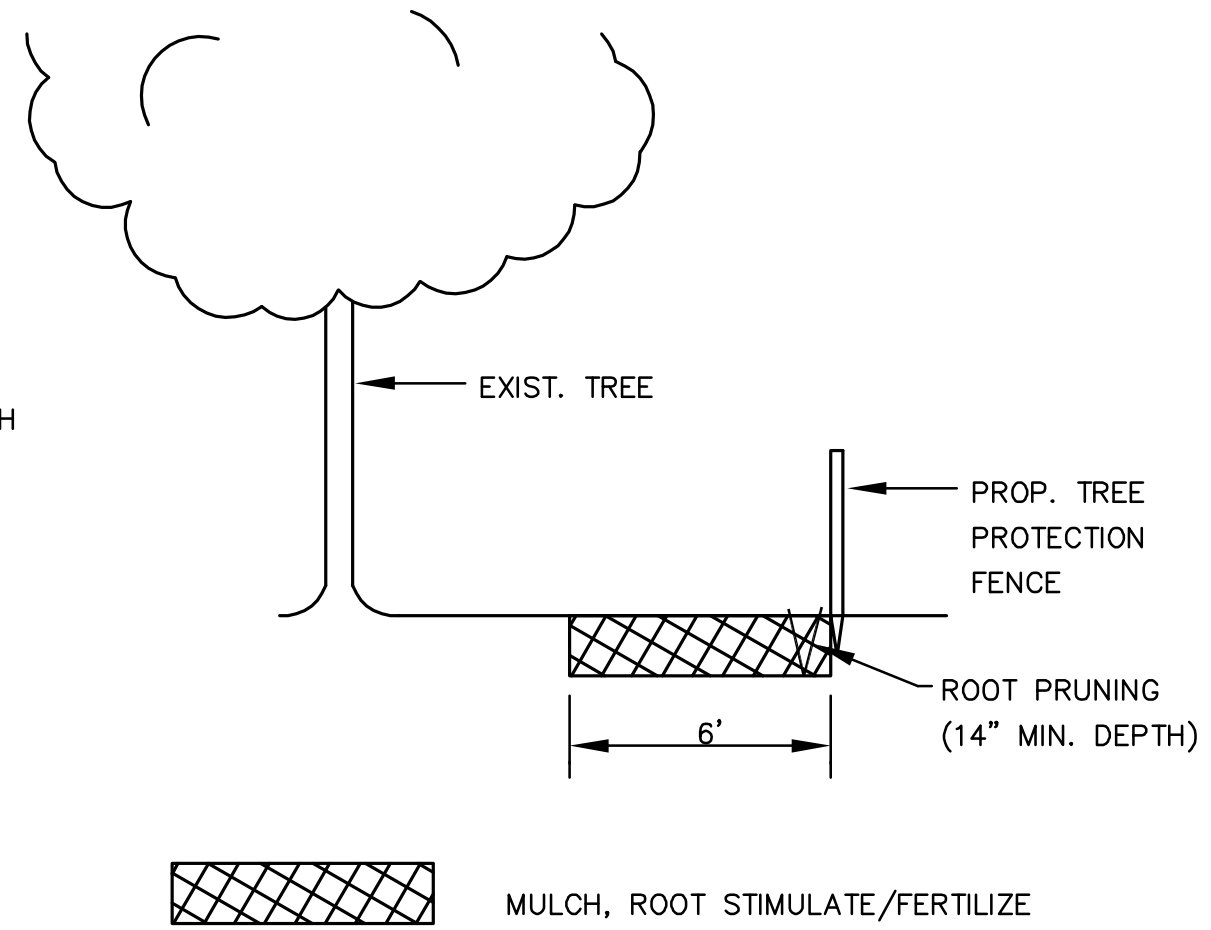
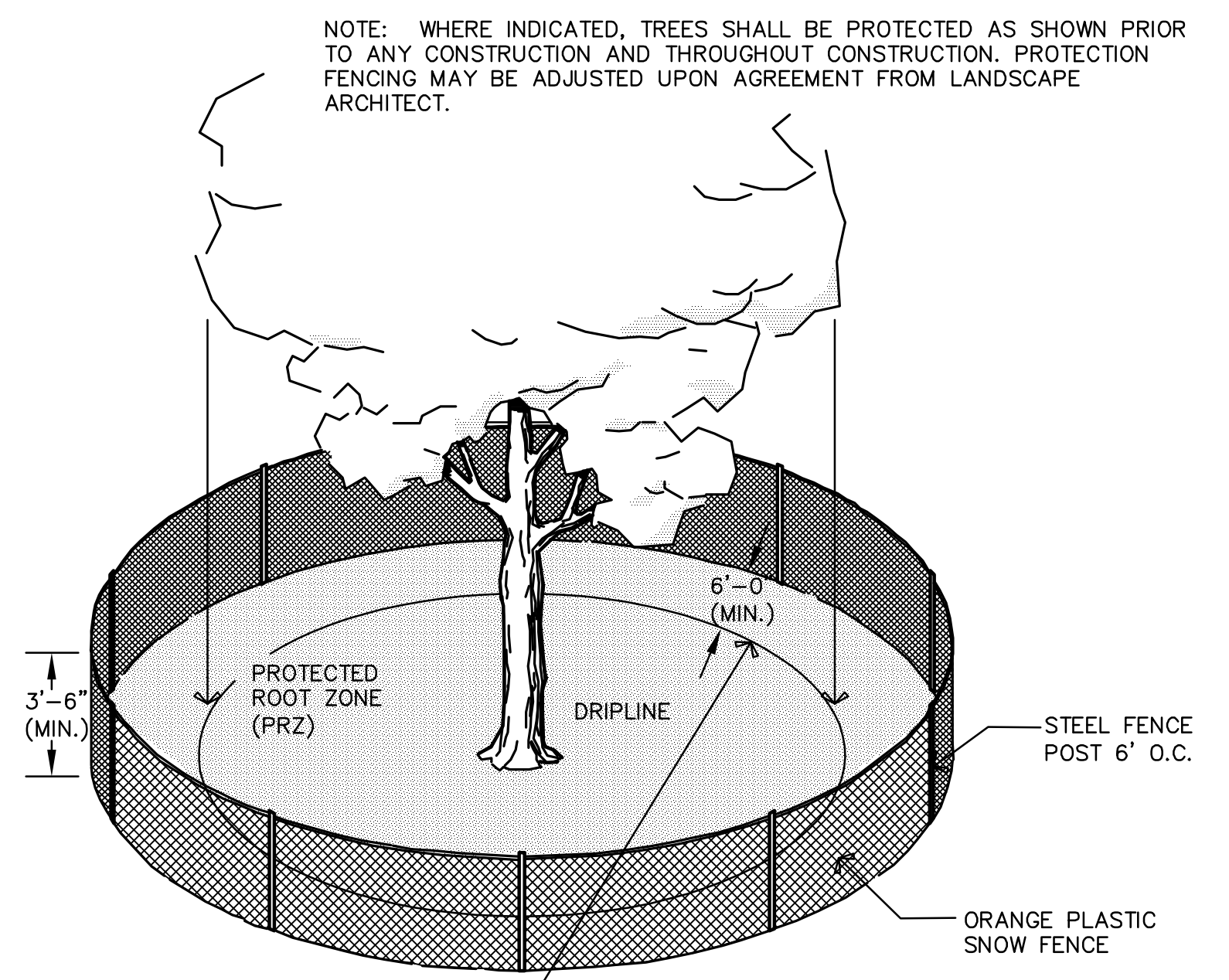


TREE TRIMMING DETAIL
NOT TO SCALE



TYP. TREE PRESERVATION DETAIL
NOT TO SCALE

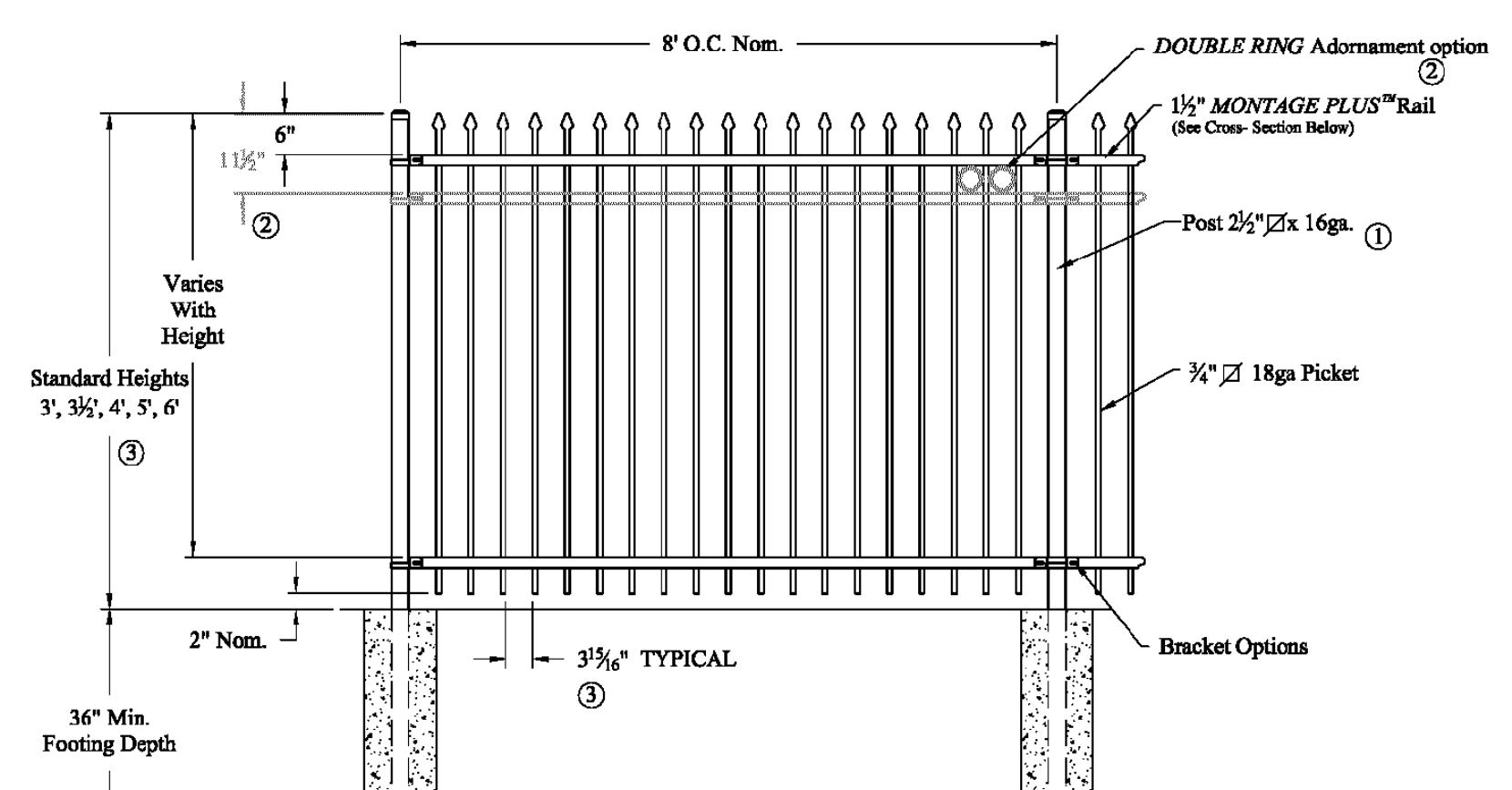


TREE PROTECTION DETAIL
NOT TO SCALE

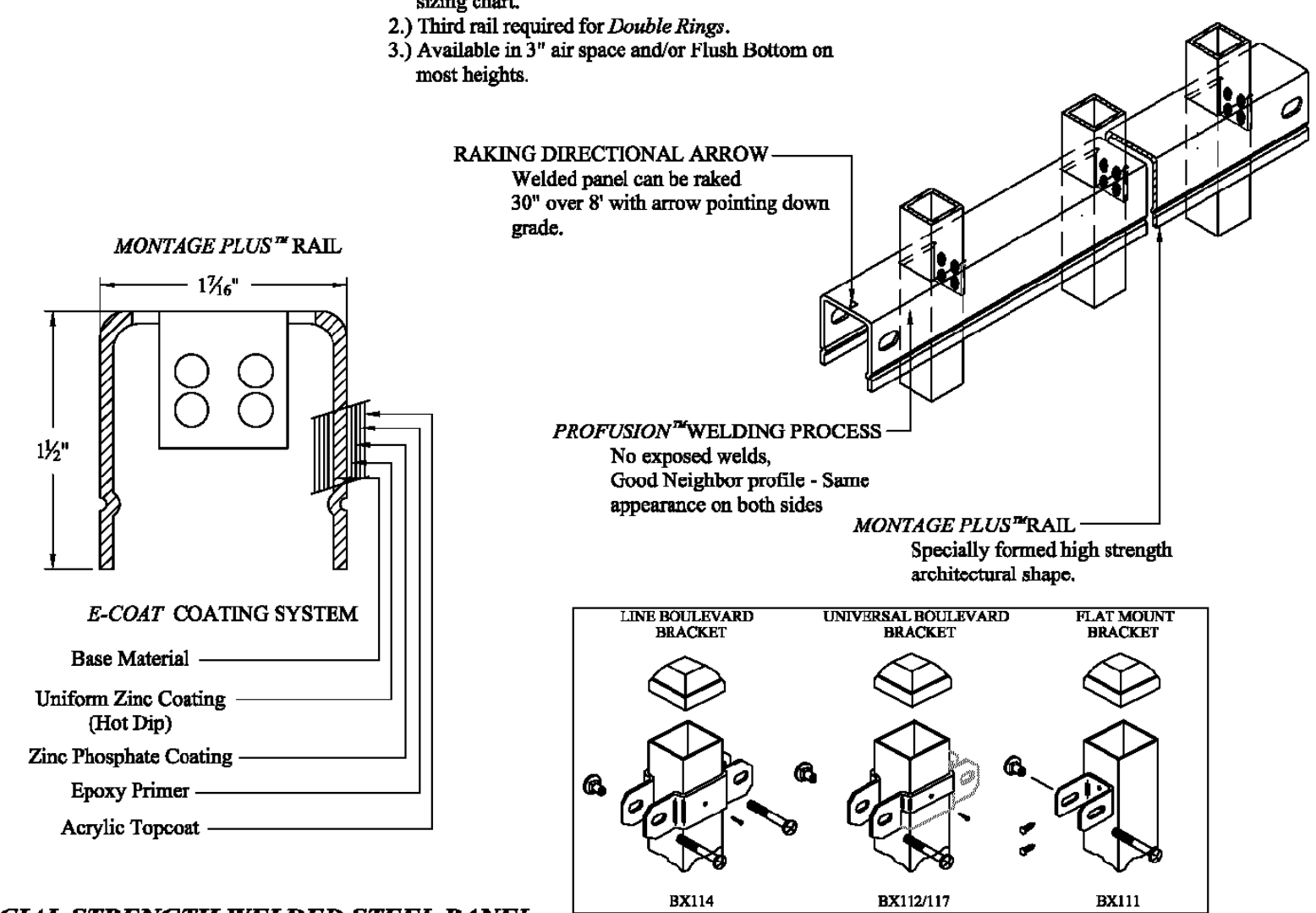
NOTE: THE TEMPORARY FENCE IS TO BE CONSTRUCTED AROUND SPECIFIED AREAS/TREES PRIOR TO ANY CONSTRUCTION AND SHALL REMAIN UNTIL ALL CONSTRUCTION IS COMPLETE. CONSTRUCTION EQUIPMENT AND MATERIALS ARE NOT PERMITTED WITHIN THE (PRZ). THE FENCE PLACEMENT AROUND THE (PRZ) MAY ONLY BE ADJUSTED WITH PERMISSION FROM THE LANDSCAPE ARCHITECT.

NOTES

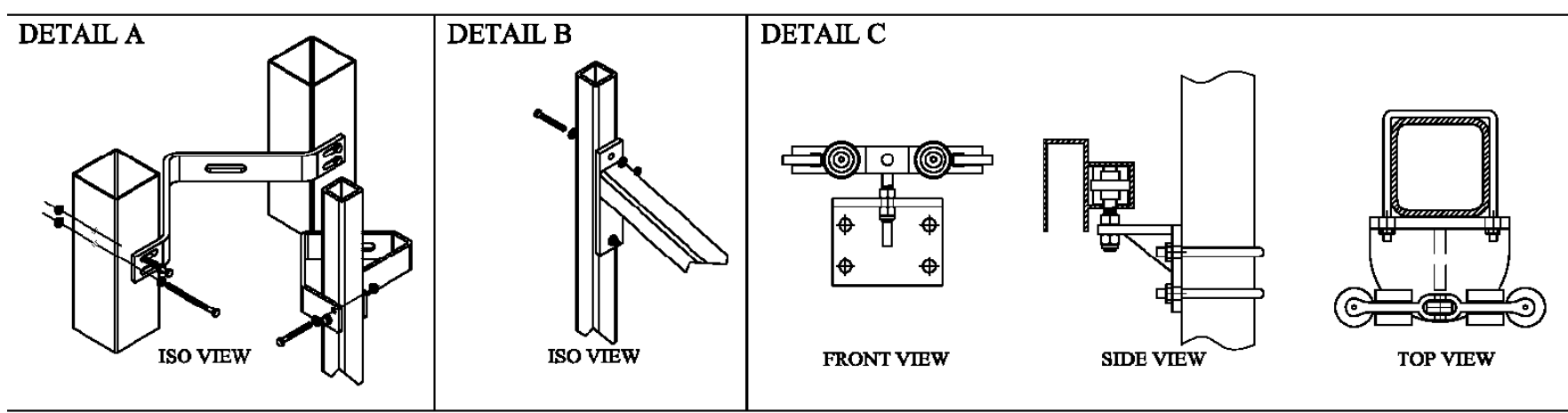
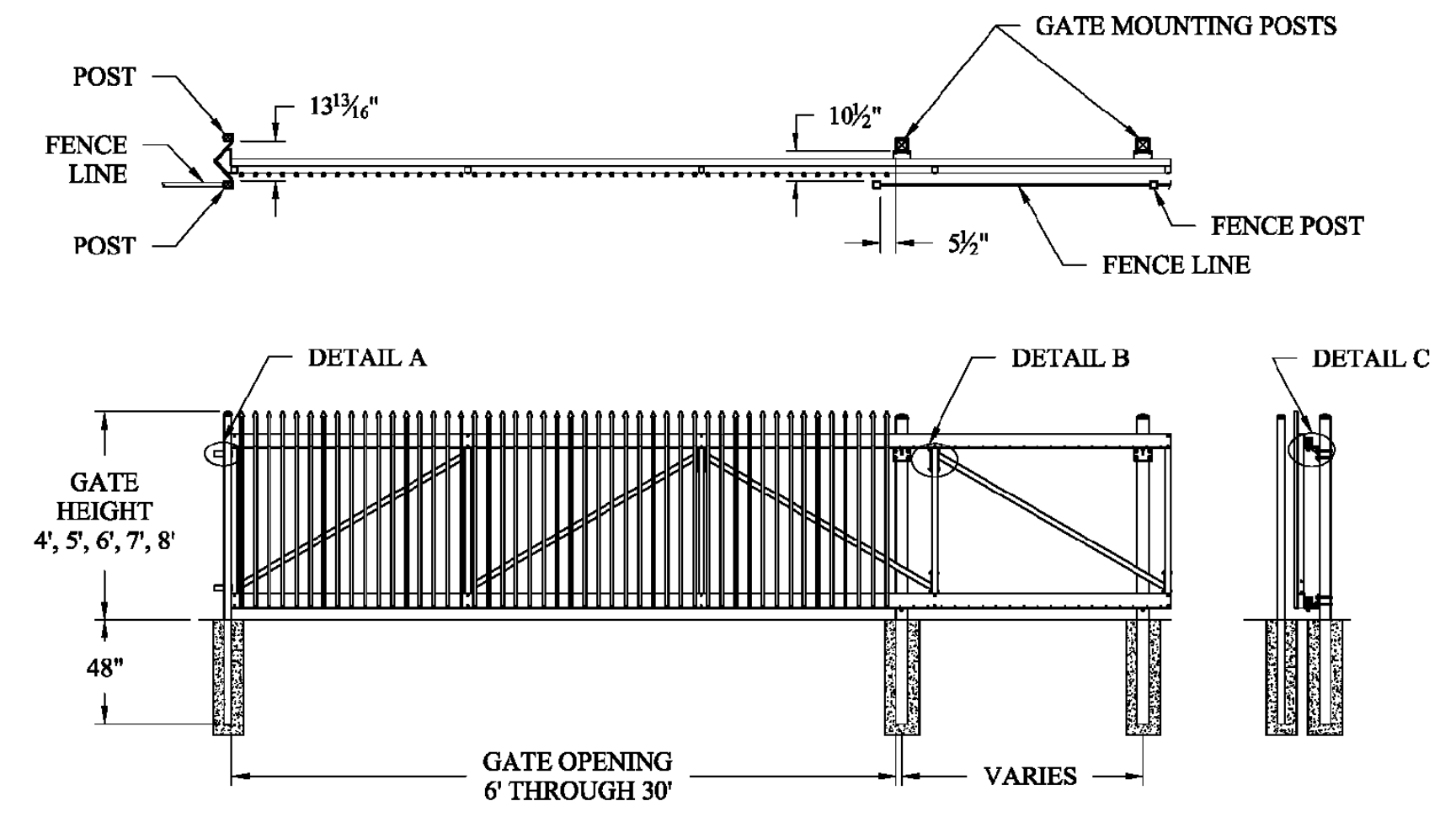
SEE GENERAL NOTES PAGE FOR ADDITIONAL INFORMATION REGARDING FENCING AND TREE PROTECTION. ORNAMENTAL FENCE, ORNAMENTAL GATE AND VINYL COATED CHAIN LINK FENCE SHALL BE AMERISTAR PRODUCTS OR APPROVED EQUAL.



NOTES:
1.) Post size depends on fence height and wind loads. See MONTAGE PLUS specifications for post sizing chart.
2.) Third rail required for Double Rings.
3.) Available in 3" air space and/or Flush Bottom on most heights.



COMMERCIAL STRENGTH WELDED STEEL PANEL
R ORNAMENTAL FENCE
SCALE: NTS

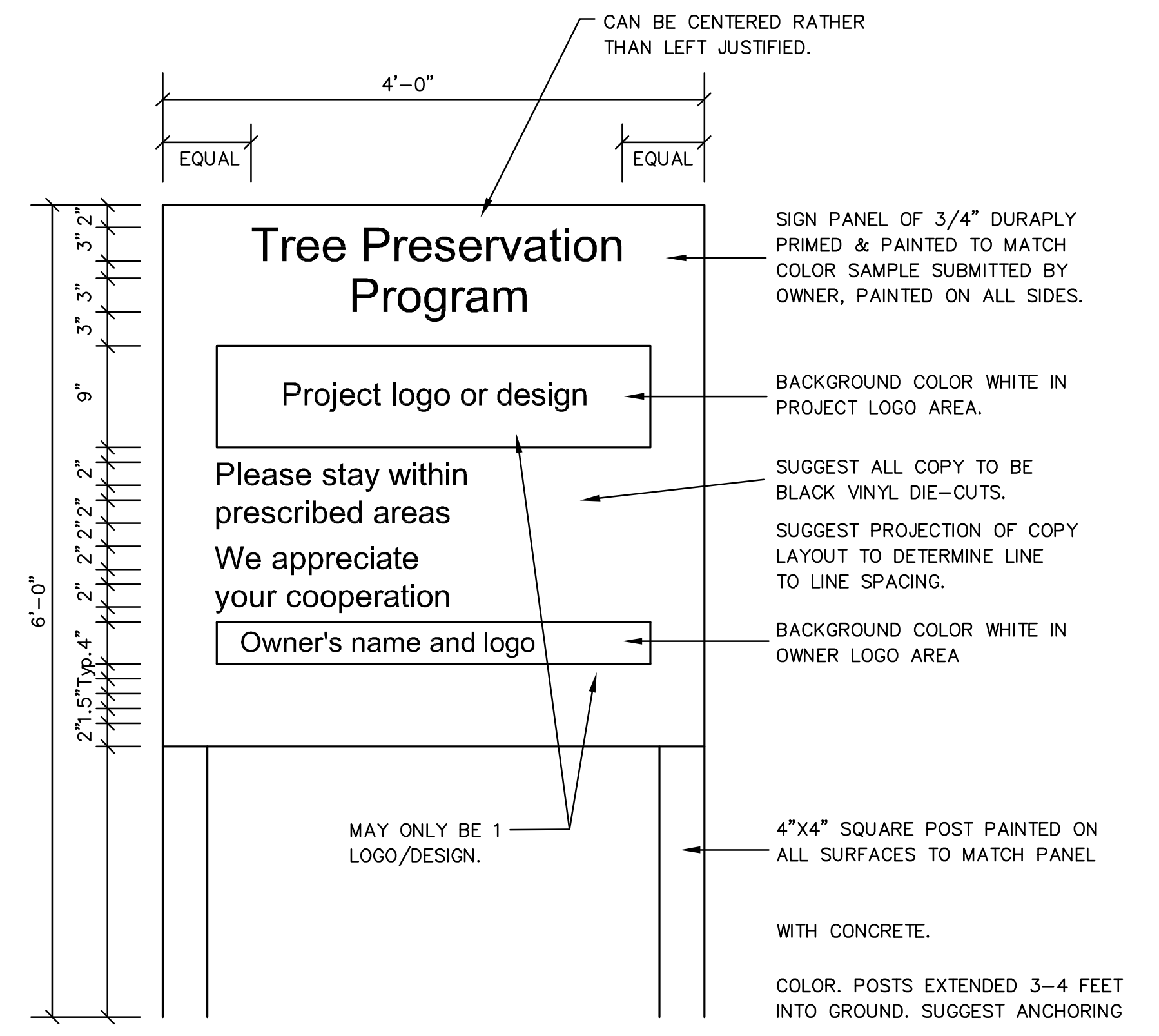


TRANSPORT II CANTILEVER GATE SPECIFICATION SUMMARY
U.S.A. PATENT NO. 5,136,813
Material: Aluminum (ASTM B221 - 6005-T5)
Track: Proprietary Fast-Trak Extruded Shape

Uprights and Diagonal Braces: 2" Square x 1/4"
Ornamental Pickets: 1" Square x 1/4"
Cantilever Gate Hardware: Kit # TGKOD

Ameristar's Transport Ornamental Cantilever Gates are designed to be mounted on posts that are off-set from the fence line. By off-setting the gate posts, the gate will pass between the fence and the mounting posts, keeping it from falling in the event of a track or hardware failure (a requirement of ASTM F2200).

S ORNAMENTAL GATE
SCALE: NTS



TREE PRESERVATION SIGNAGE
NOT TO SCALE

SIGN PANEL OF 3/4" DURAPLY PRIMED & PAINTED TO MATCH COLOR SAMPLE SUBMITTED BY OWNER, PAINTED ON ALL SIDES.
BACKGROUND COLOR WHITE IN PROJECT LOGO AREA.
SUGGEST ALL COPY TO BE BLACK VINYL DIE-CUTS.
SUGGEST PROJECTION OF COPY LAYOUT TO DETERMINE LINE TO LINE SPACING.
BACKGROUND COLOR WHITE IN OWNER LOGO AREA
MAY ONLY BE 1 LOGO/DESIGN.
4"X4" SQUARE POST PAINTED ON ALL SURFACES TO MATCH PANEL WITH CONCRETE.
COLOR. POSTS EXTENDED 3-4 FEET INTO GROUND. SUGGEST ANCHORING

DETAILS (CONTINUED)
SHEET TITLE
472-84977
PROJECT NUMBER

DESIGN BY: BSH
DRAWN BY: JLB
CHECKED BY: JAG

ISSUED: MARCH 8, 2011
REVISED:

SHEET NO. 20 of 21

P:\PROJECTS\2008\08603\CAD\CIVIL\CD\5\08603_DET.DWG