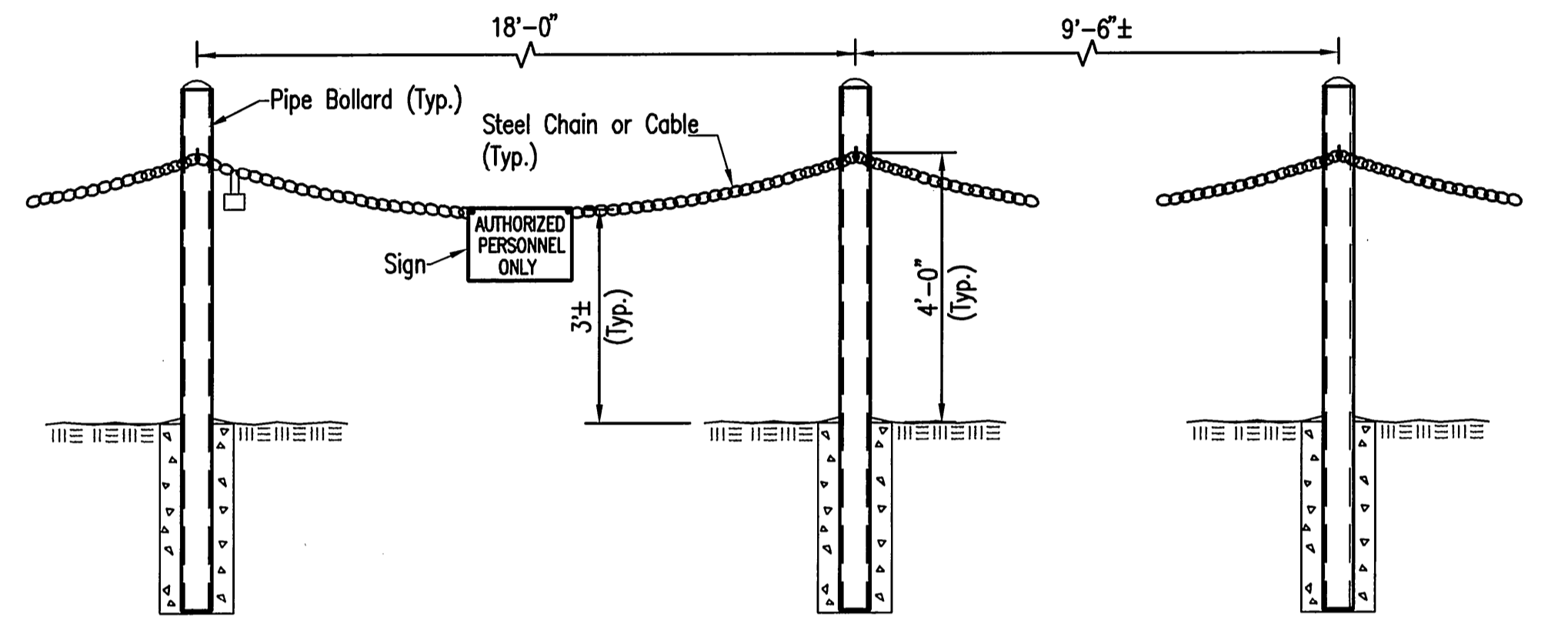


PIPE BOLLARD DETAIL
(7 Required)



GATE DETAIL

TYPICAL FENCE DETAIL

* Note: The Contractor shall provide submersible pump (manufactured by Cascade or approved equal) to the City per the following specifications:

GPM	FT. HEAD	EFF. %	HP	RPM
500	21	63(Min.)	5	1160

Saved 03-28-2011 2:57:51 PM by TDS
 Plot Scale 1:20 04-04-2011 1:33:18 PM by TED D. SCHRIEFER
 G:\2004\04274\005 PUMP STATION AND POND EROSION IMP\04274-005-C-6-Ecat-SitePlan.dwg

No.	Revision	By	Date

SITE PLAN FOR EAST PUMP STATION

JAMES L. ARMOUR, P.E. - CITY ENGINEER
 CITY OF WICHITA PROJECT NO. 468-84741

PEC PROFESSIONAL ENGINEERING CONSULTANTS, P.A.
 303 SOUTH TOPEKA WICHITA, KS 67202
 316-262-2691 www.pec1.com

Designed by	MEB	Job No.	35-04274-5-042	Sht. 6 of 13
Drawn by	CAE, TDS	Date	APRIL 2011	