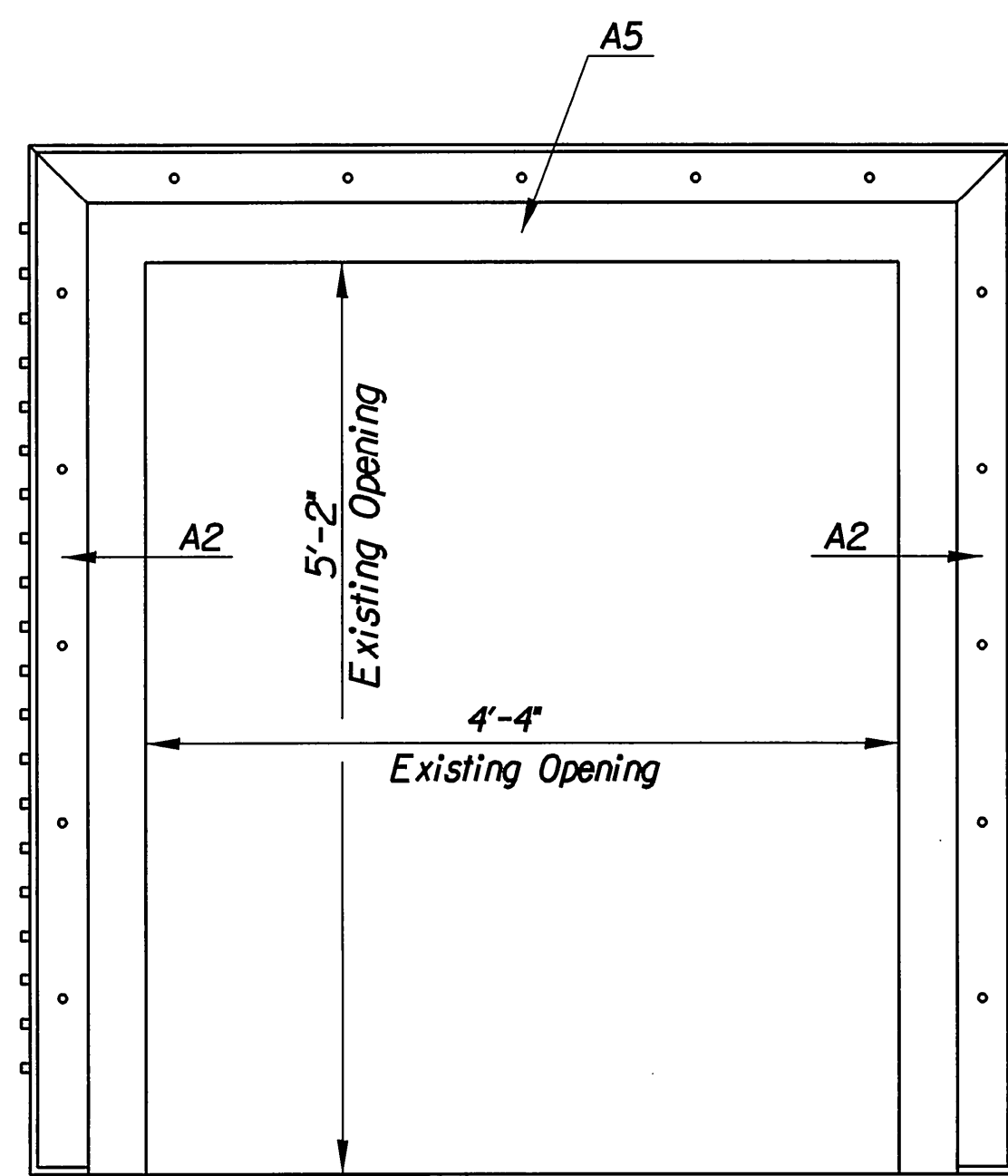
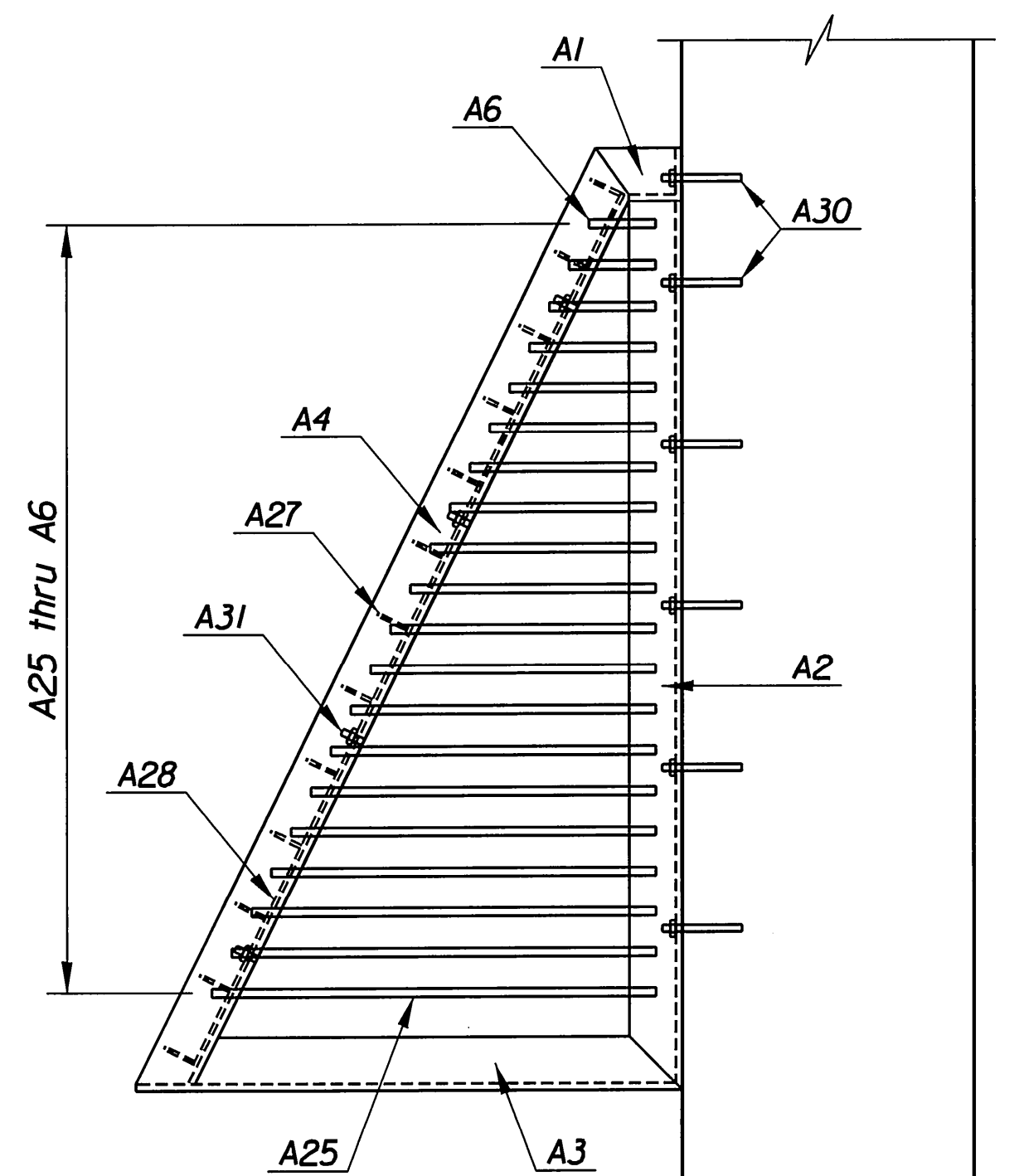


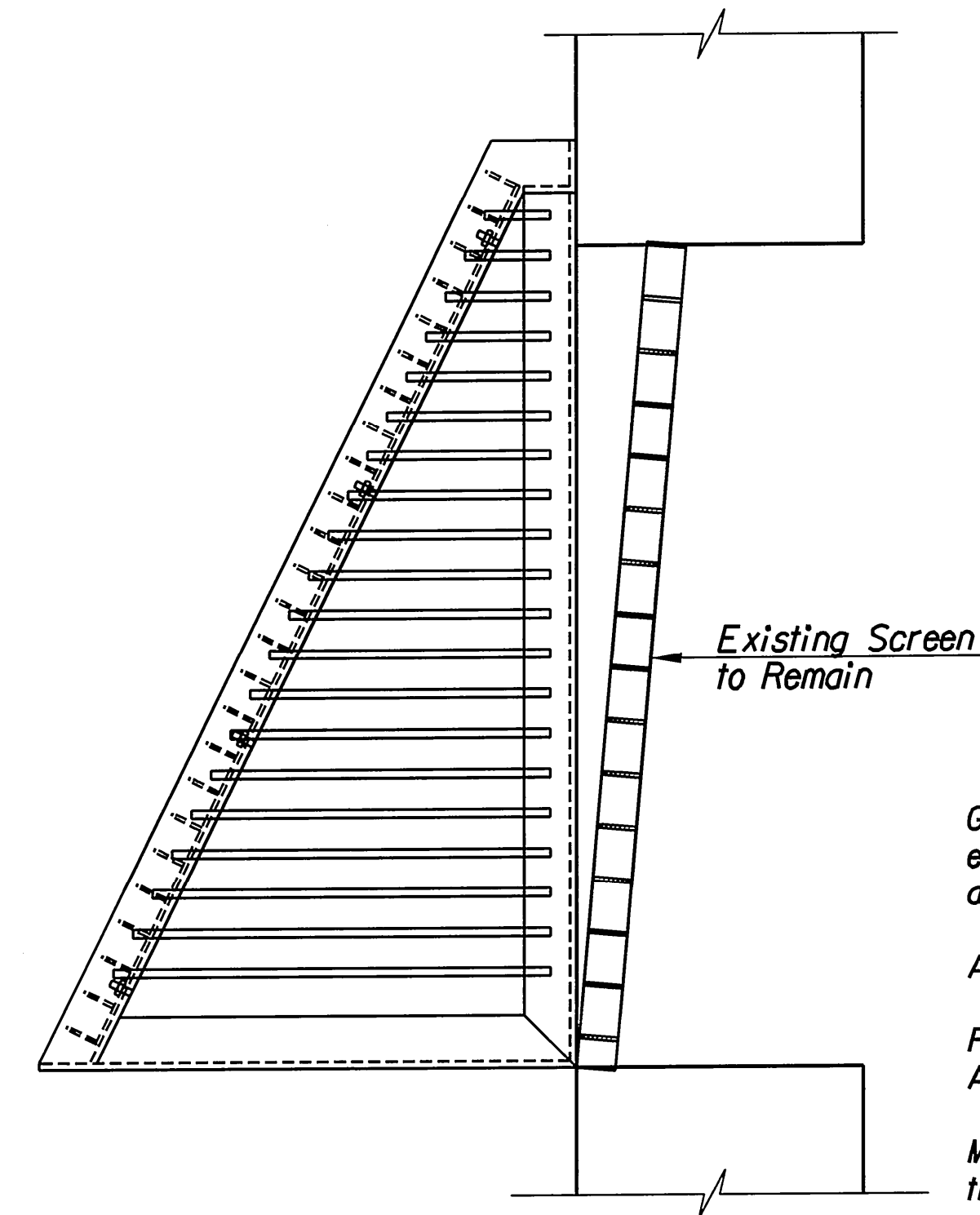
TYPICAL FRONT VIEW
With Front Screen
Total Wt. 1030 Lbs.
(Includes Wt. of Removable Screen)



TYPICAL FRONT VIEW
Without Front Screen



TYPICAL VIEW
New Screen @ Wall Attachment



TYPICAL VIEW
New Screen @ Opening

GENERAL NOTES

Grate shall be galvanized in accordance with either A.S.T.M. A123 or A153 Specifications as applicable.

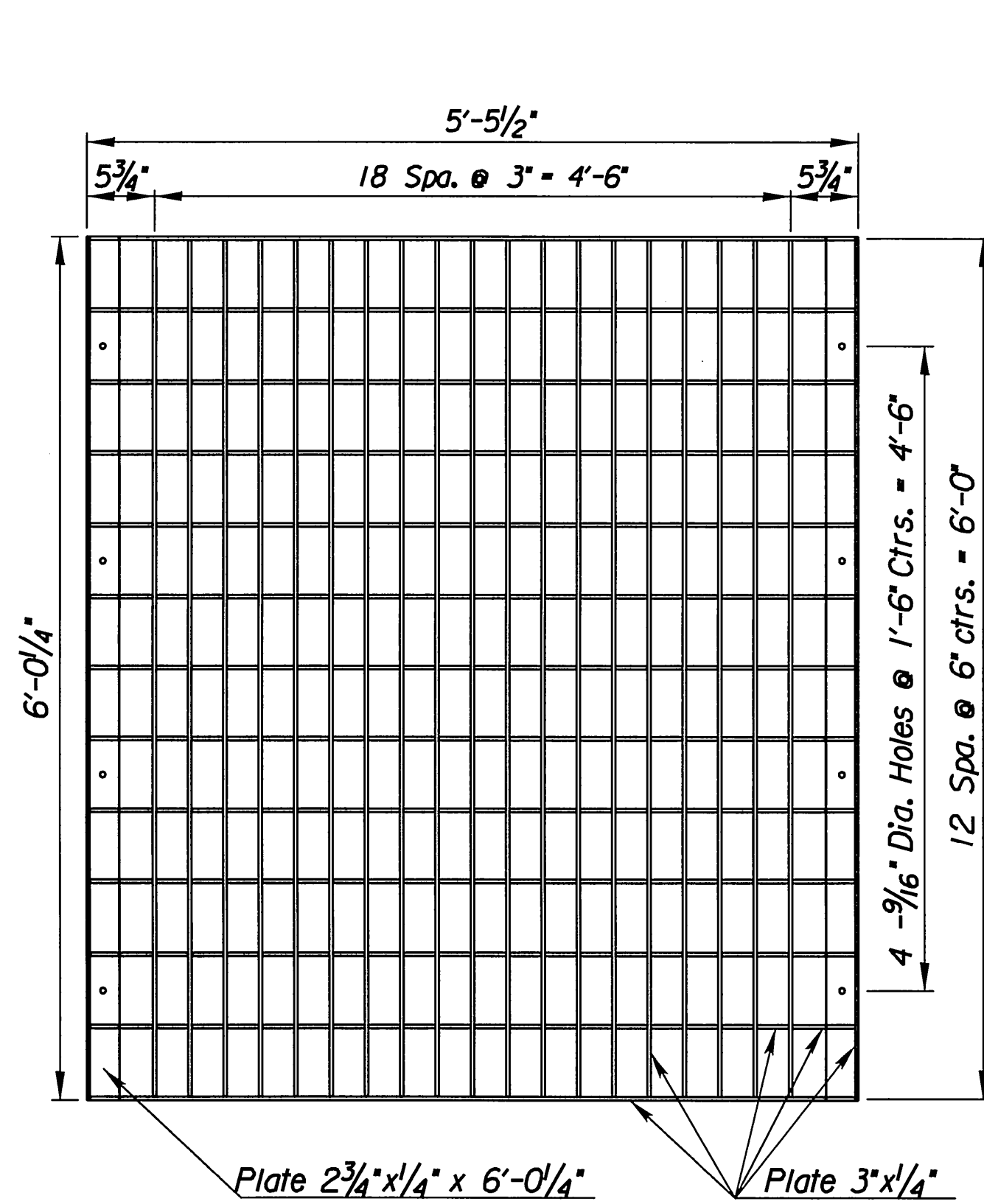
All nuts, washers and bolts shall be stainless steel.

Plates, bars and angles shall conform to ASTM A709 Gr. 36 requirements.

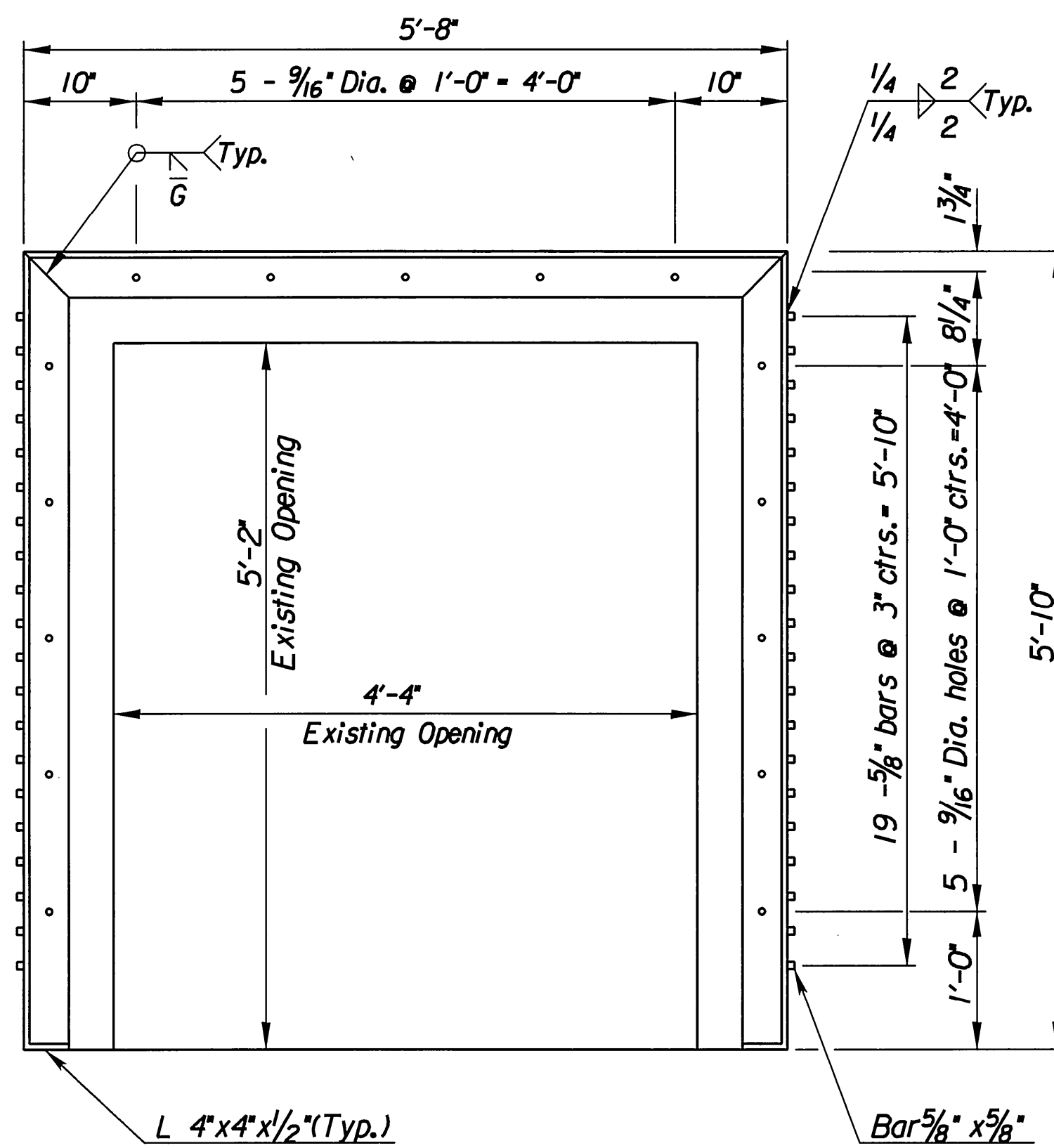
Material and construction shall conform to the structural welding code A.W.S. D1.1-01.

Shop details must be submitted and approved by the Engineer.

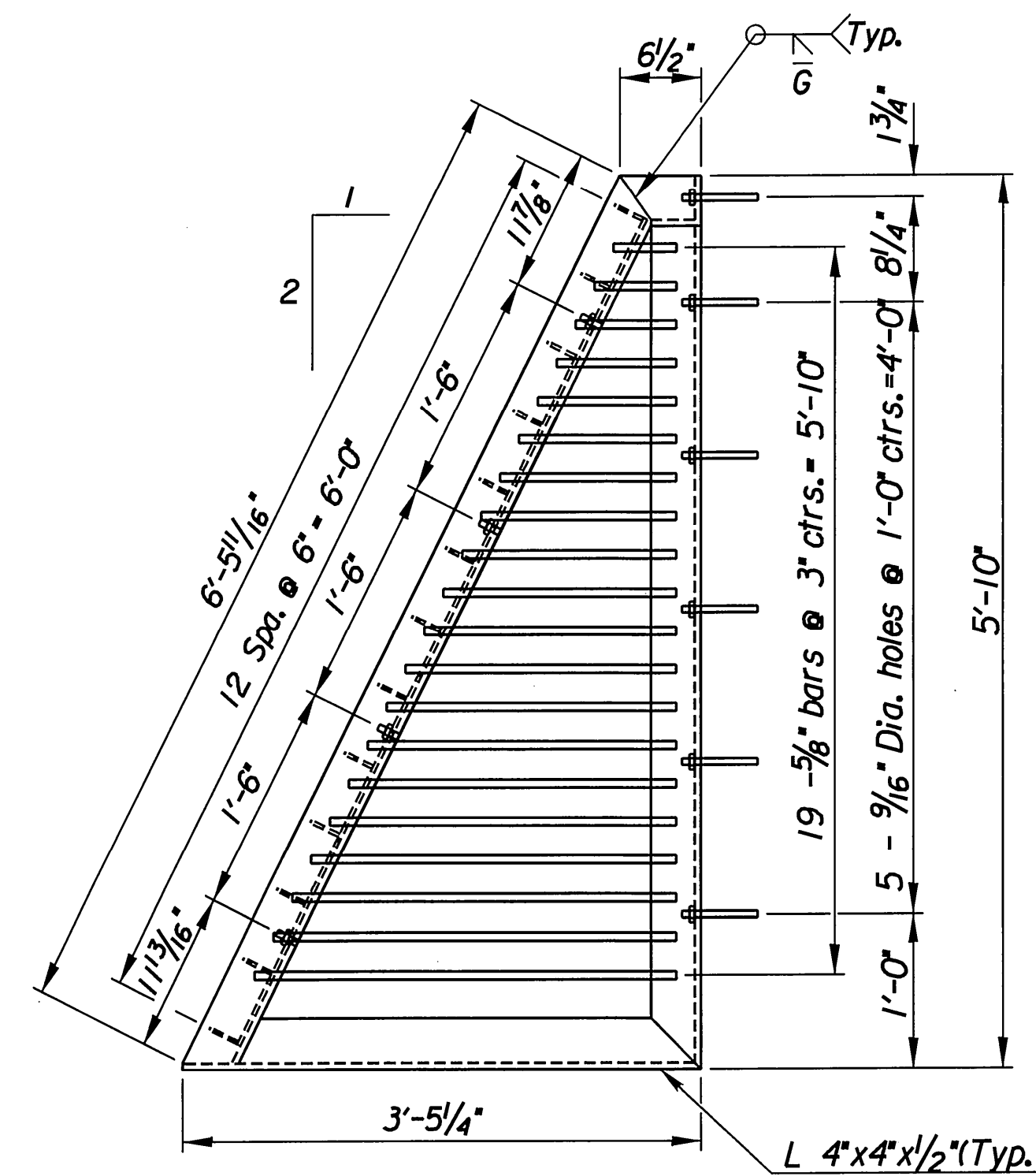
The costs of all materials and incidentals required to furnish, fabricate and install the grate shall be included in the lump sum price bid for "Pump Grate".



REMOVABLE SCREEN
Wt. 455 Lbs.



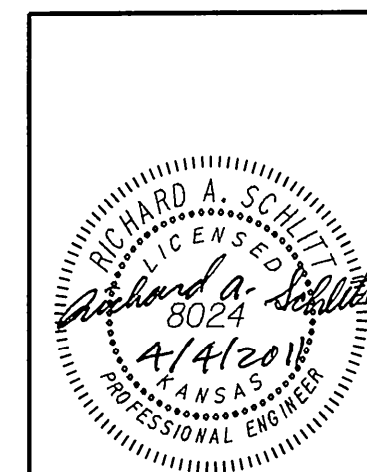
FRONT VIEW
Backwall View



SIDE SCREEN DETAIL

BILL OF MATERIALS					
Mark	Description	No. Req'd.	Mark	Description	No. Req'd.
A1	L 4"x4"x1/2"	2	A17	5/8" Square Bar	2
A2	L 4"x4"x1/2"	2	A18	3/8" Square Bar	2
A3	L 4"x4"x1/2"	2	A19	3/8" Square Bar	2
A4	L 4"x4"x1/2"	2	A20	3/8" Square Bar	2
A5	L 4"x4"x1/2"	1	A21	3/8" Square Bar	2
A6	5/8" Square Bar	2	A22	3/8" Square Bar	2
A7	3/8" Square Bar	2	A23	3/8" Square Bar	2
A8	3/8" Square Bar	2	A24	3/8" Square Bar	2
A9	3/8" Square Bar	2	A25	3/8" Square Bar	2
A10	3/8" Square Bar	2	A26	1/4"x3" Plate	2
A11	3/8" Square Bar	2	A27	1/4"x3" Plate	19
A12	3/8" Square Bar	2	A28	1/4"x2 3/4" Plate	2
A13	3/8" Square Bar	2	A29	1/4"x2 1/2" Plate	198
A14	3/8" Square Bar	2	A30	1/2" Exp. Anchors	15
A15	3/8" Square Bar	2	A31	1/2" Stud w/Nut	8
A16	3/8" Square Bar	2	A32	1/4"x2 1/2" Plate	22

Plotted By: \$\$USERNAME\$\$ Plotted: \$\$\$SYTIME\$\$\$
File: \$\$\$DGN\$PEC\$\$\$



No.	Revision	By	Date
PUMP EXTERNAL GRATE DETAILS			
JAMES L. ARMOUR, P.E. - CITY ENGINEER CITY OF WICHITA PROJECT NO. 468-84741			
PEC PROFESSIONAL ENGINEERING CONSULTANTS, P.A. 303 SOUTH TOPEKA WICHITA, KS 67202 316-262-2691 www.pec1.com			
Designed by	R.A.S., R.J.M.	Job No.	35-04274-5-042
Drawn by	C.P., W.L.L.	Date	APRIL 2011
			Sht. 12 of 13