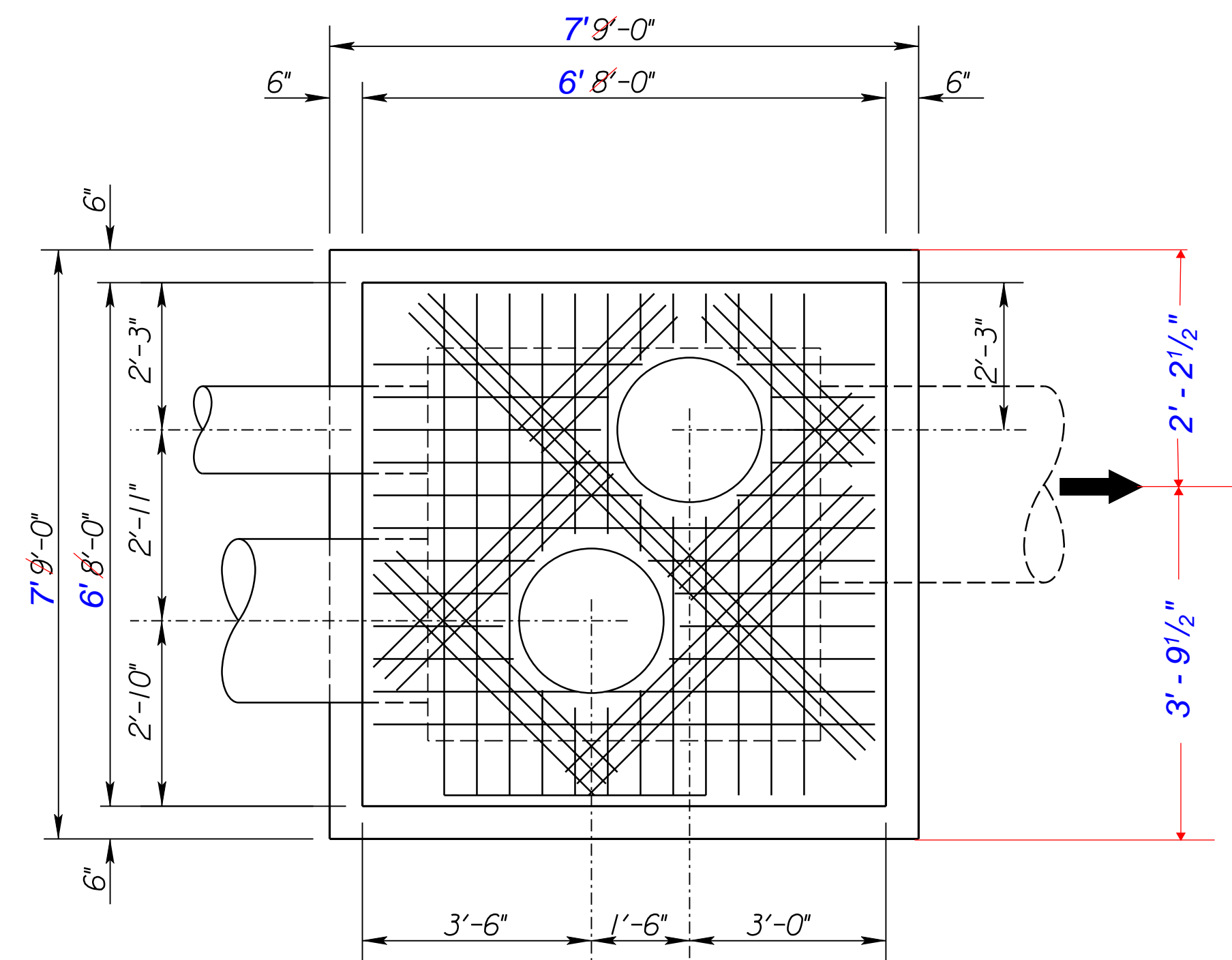
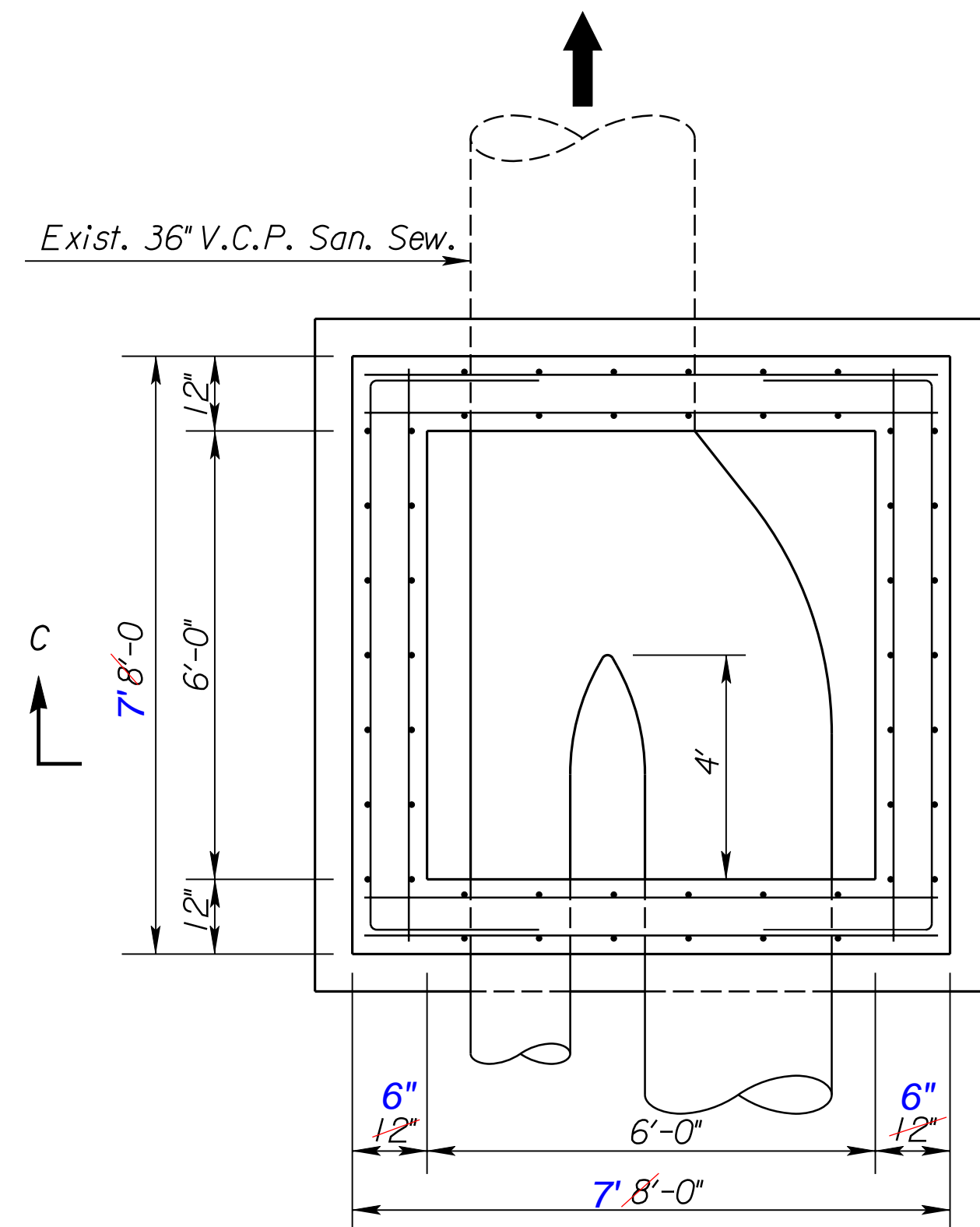


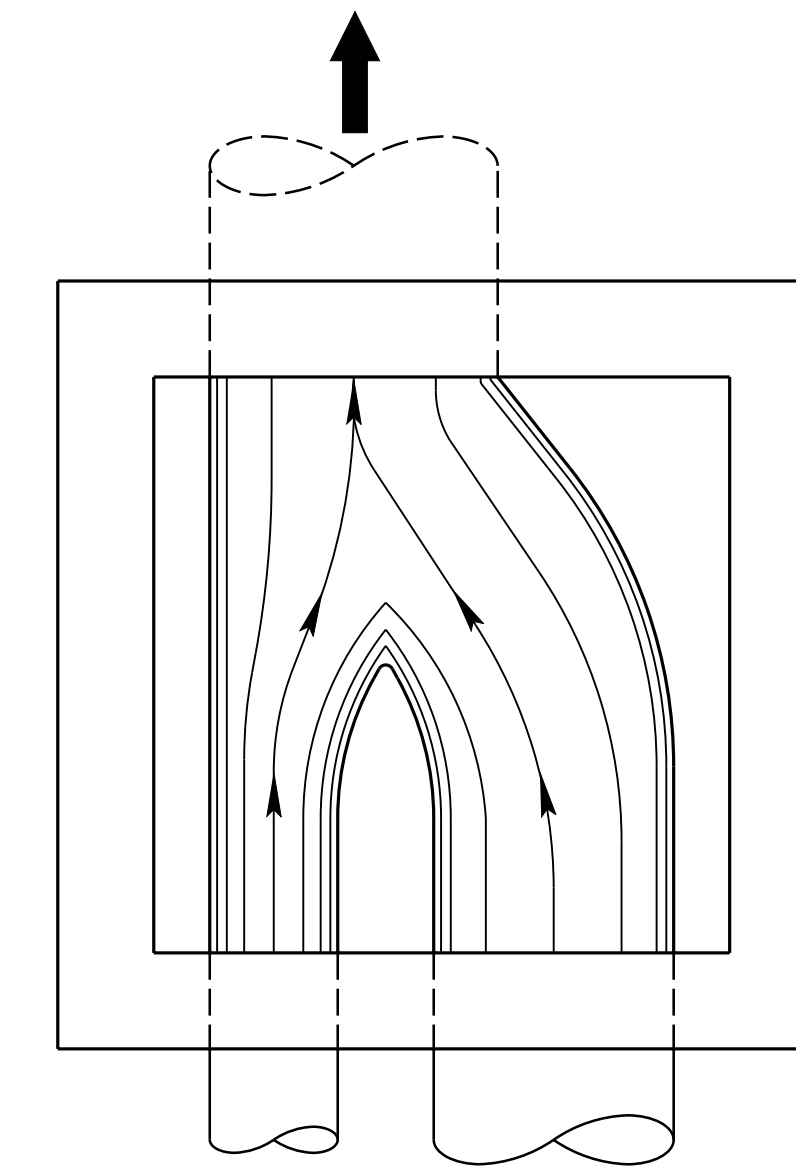
COUNTY	STATE	PROJECT NO.	YEAR	SHEET NO.	TOTAL SHEETS
SEDGWICK	KANSAS	472-84702	2010	19	36



PLAN

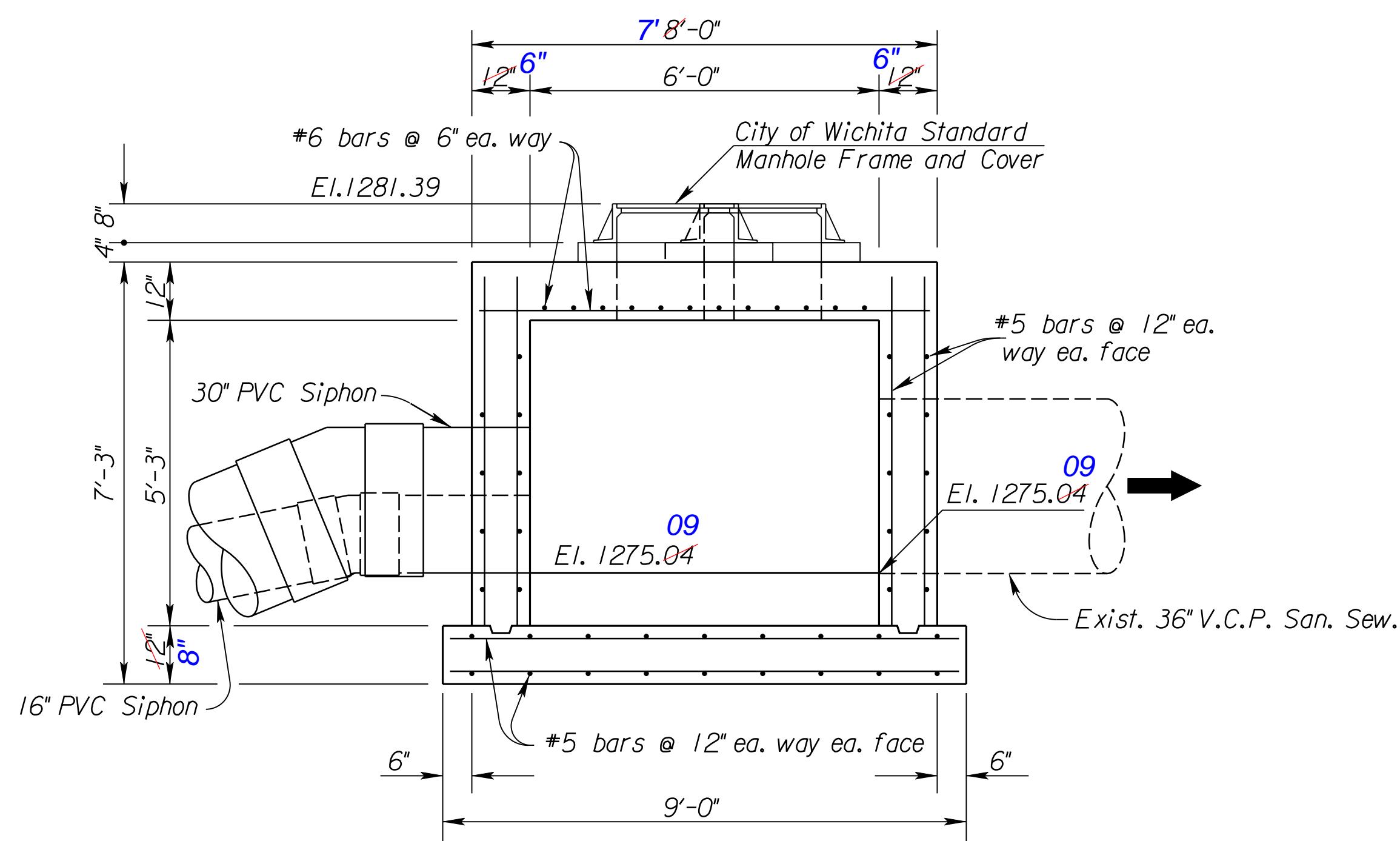


SECTION B-B

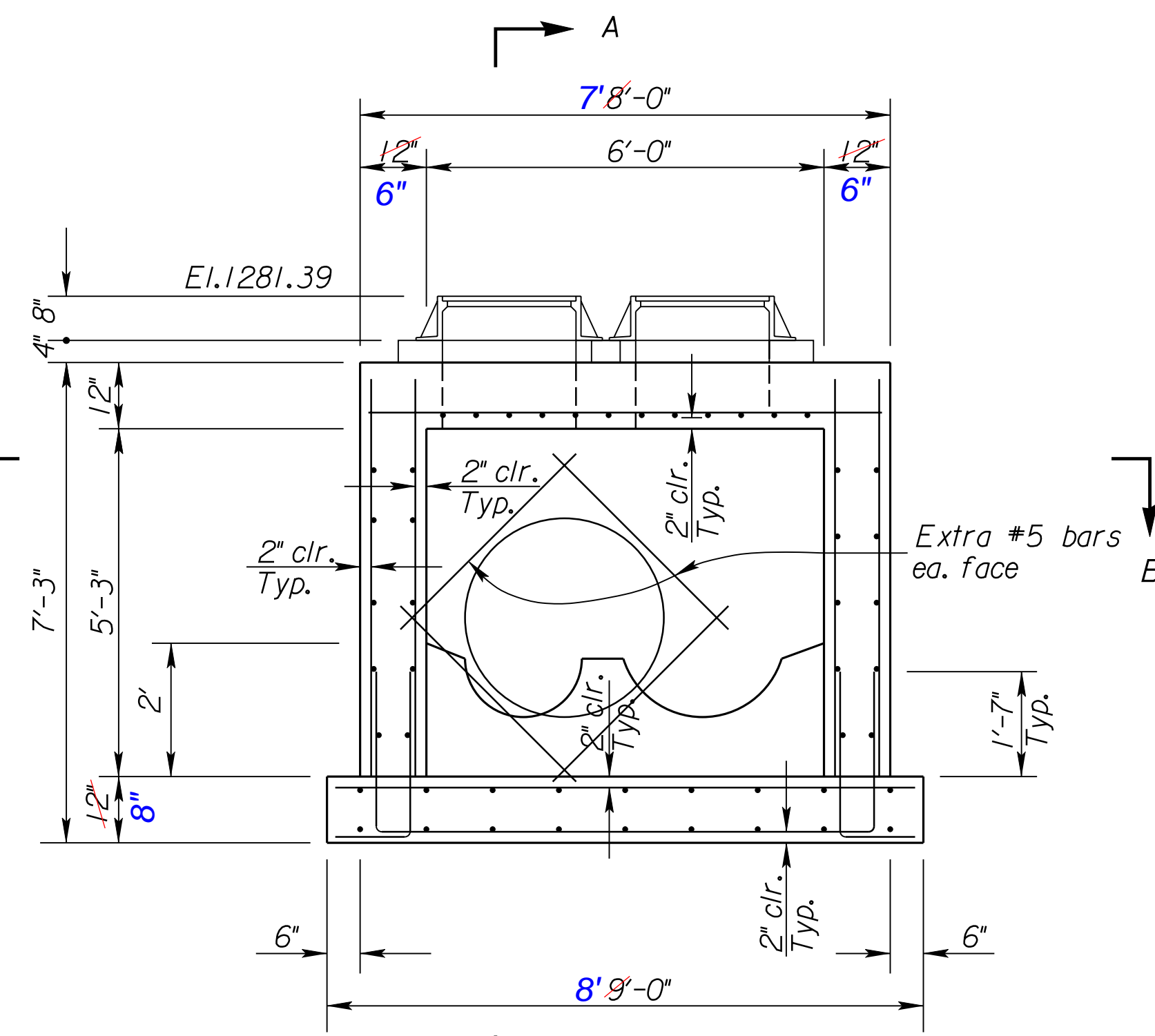


FLOOR SHAPING DETAIL

**Note:**  
 Use Concrete Grade 3.0 throughout. All exposed edges shall be finished with an edging tool.  
 At the contractor's option Concrete Grade 3.0 (AE) or mix used in concrete pavement may be used throughout.  
 In general, pipes will enter and leave manhole at various positions. Where possible bend bars around pipes.  
 Pipe connections to the manhole for all pipe, shall be made by placing a tight fitting rubber gasket around the outside of pipe where the pipe enters the manhole.  
 Floor of manhole shall have a shaped unreinforced concrete invert to provide for smooth flow.  
 Manhole cover castings and manhole frame shall conform to the requirements as indicated in standard specifications and as shown in the standard detail drawings.  
 No deductions in concrete quantities shall be made for pipe openings or additions to concrete quantities shall be made for shaping floor of manholes.  
 The top of the manhole shall be sloped slightly to approximately fit the ground line or other condition as directed by the Engineer.  
 The Contractor has the option of using precast manholes, as approved by the Engineer.  
 The manhole shall be lined with City of Wichita approved manhole lining systems including: Raven 405 High Build Epoxy, Sauereisen 210S, Warren S-301 Epoxy and Zebtron. Products shall be applied at a minimum thickness of 90 mils, or to the minimum thickness required by the manufacturer's specification, whichever is thicker.  
 The 30" Bend Fitting to be epoxy coated DIMJ.  
 All costs for furnishing and installing reinforcing steel shall be included in the unit bid price for the manhole.



SECTION A-A



SECTION C-C

MANHOLE "E"

CITY OF WICHITA JAMES ARMOUR, P.E., CITY ENGINEER 31ST STREET BRIDGE AT GLENN	
SIPHON MANHOLE "E"	
 122. Wichita, Kansas	
SCALE	DATE 4/28/2010
DWG. NO. 35768A	

T:\35768A\CADD\SHEETS\ROADWAY\DETAILS\31ST\SIPHONMHE.dgn  
 SURV. PLOT CADD DES. DR. TR. CKD. APP.