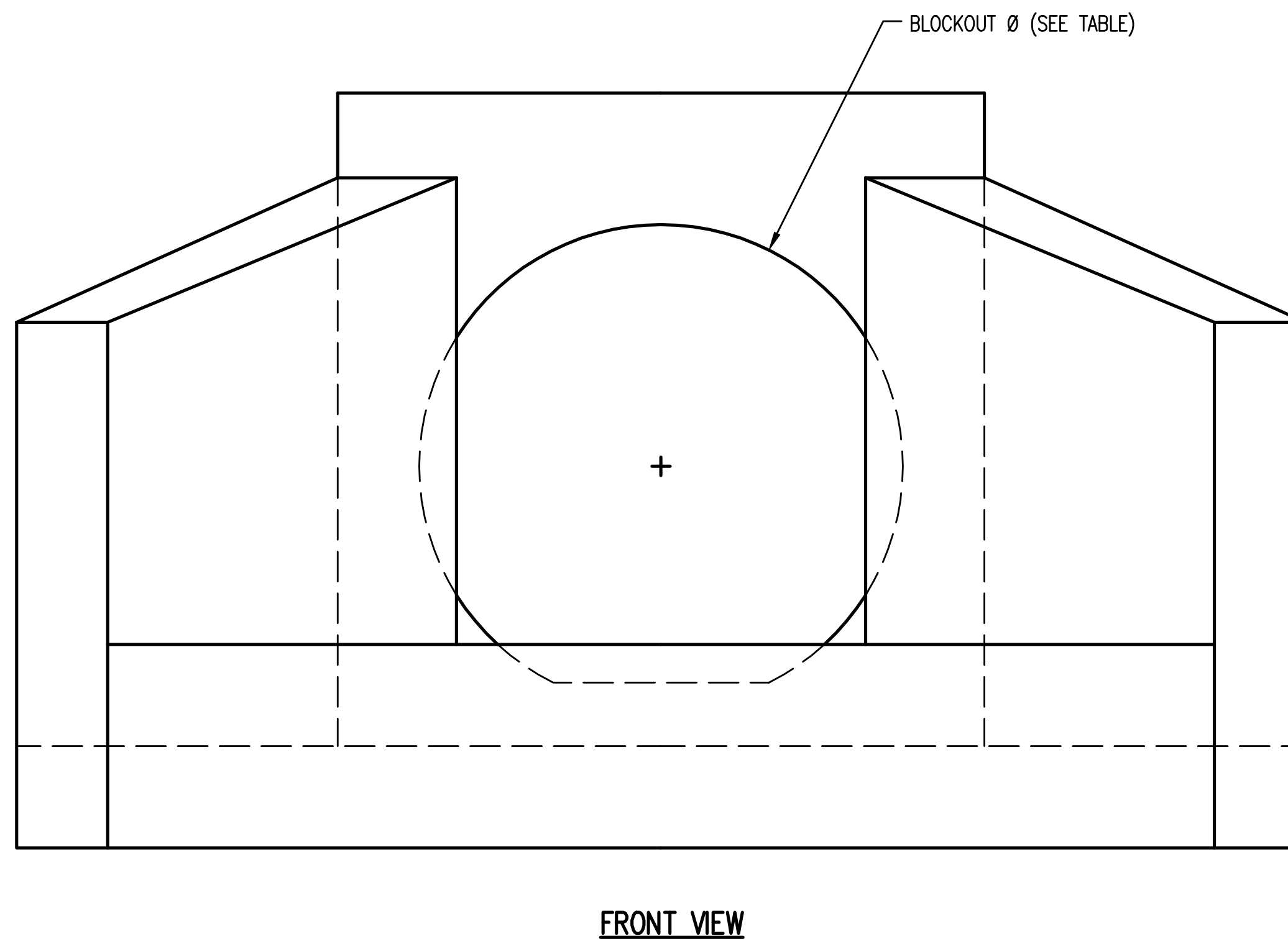
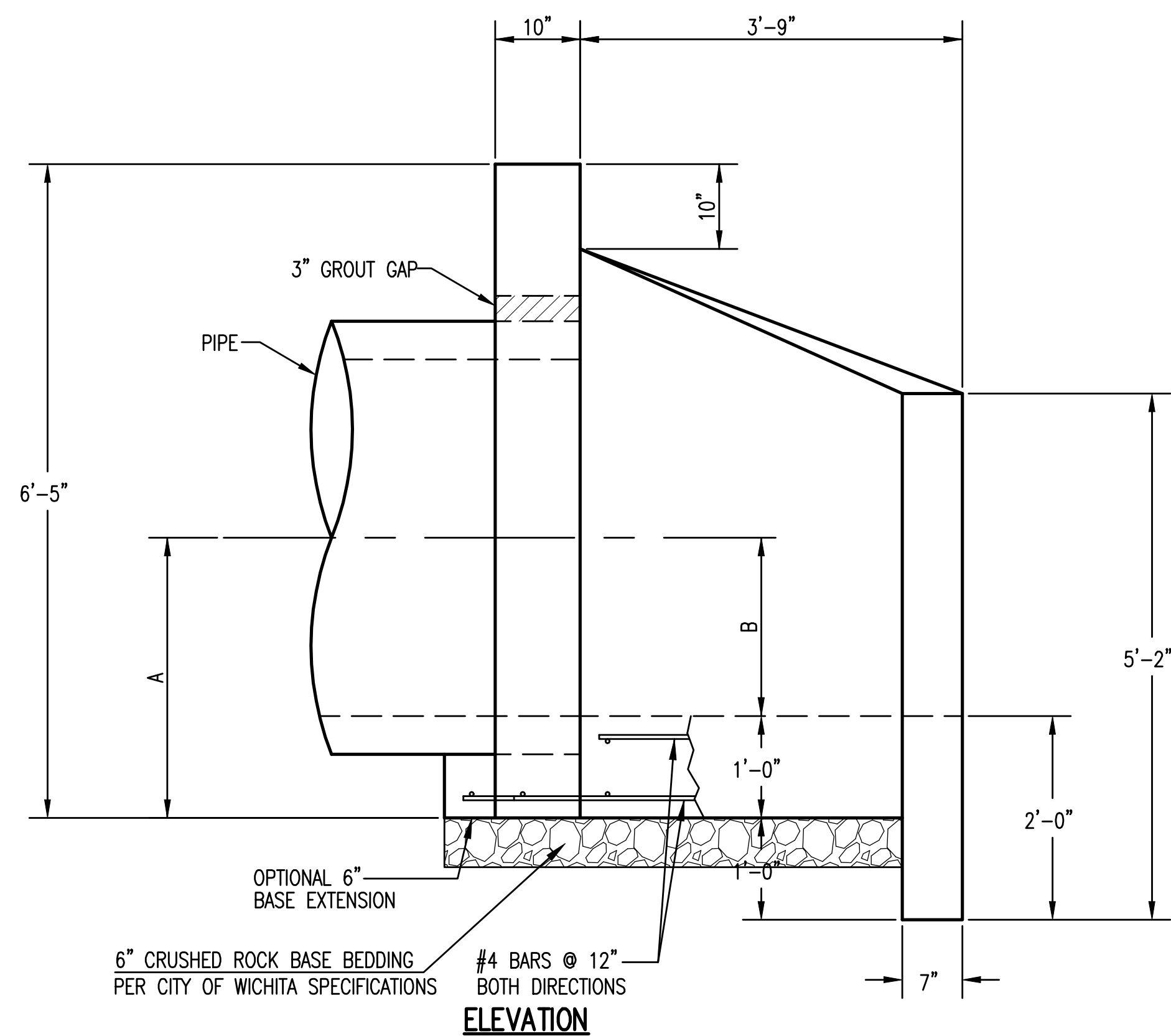



PIPE Ø	A	B	BLOCKOUT Ø
42"	2'-9"	1'-9"	4'-9"
48"	3'-0"	2'-0"	5'-4"



HEADWALLS, AS SHOWN, WILL NOT SUPPORT FLAP GATE.

 <p>CITY OF WICHITA PUBLIC WORKS & UTILITIES ENGINEERING DIVISION</p>	HEADWALL DETAILS FOR 42" AND 48" PIPE		
	CITY ENGINEER JAMES L. ARMOUR, P.E., L.S.		
	PROJECT NUMBER 468-84689	OCA NUMBER 751497	DATE 5/03/11
	CITY ENGINEER'S OFFICE CITY HALL - SEVENTH FLOOR 455 NORTH MAIN STREET WICHITA, KANSAS 67202-1620 (316) 268-4501		DESIGN Staff DRAWN Staff SHEET 18 of 28