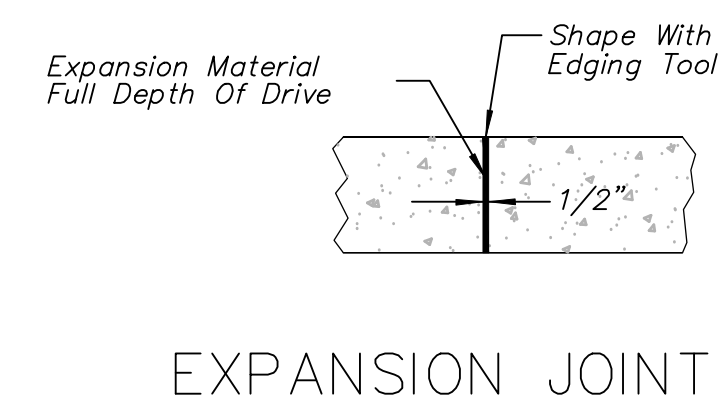
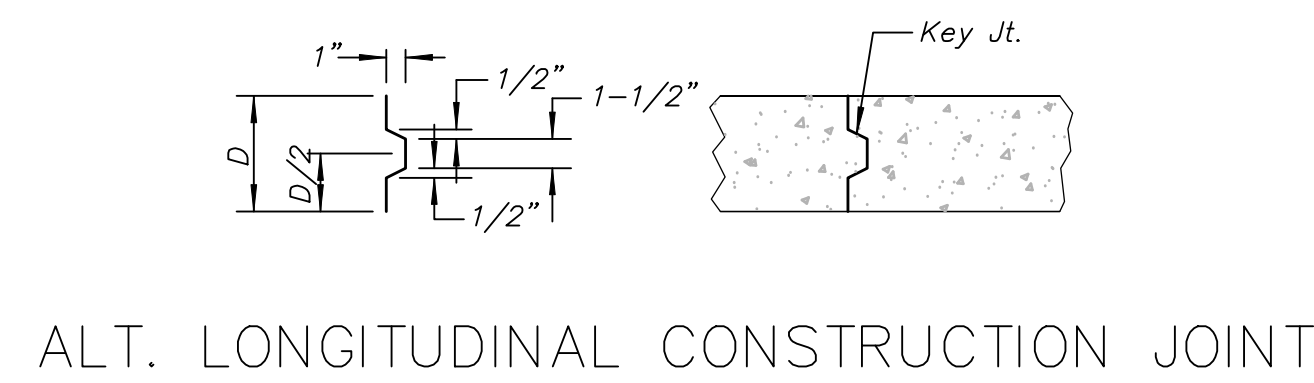
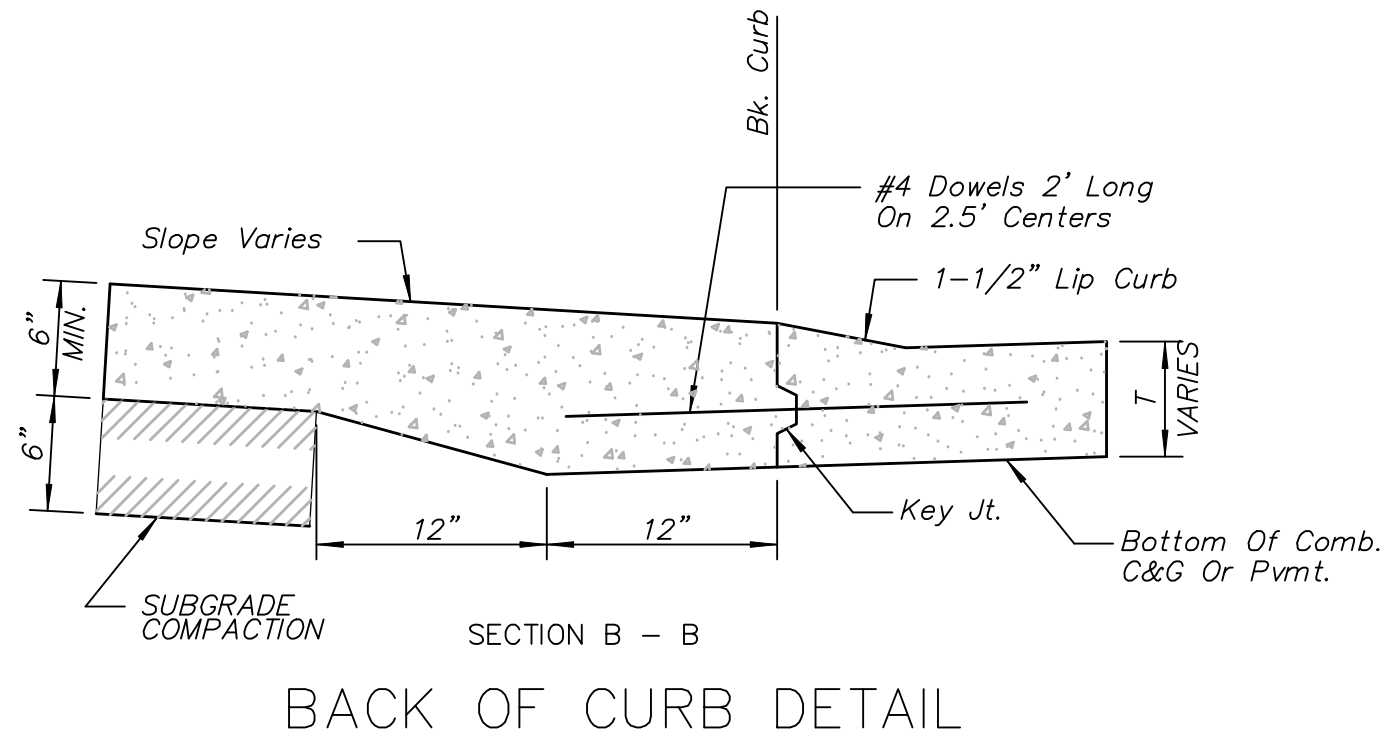


T\* = Thickness of curb to adjust with pavement thickness

GENERAL NOTES

- Expansion (isolation) joints shall be constructed a maximum of 300' apart and at all PIs, PCs, cul-de-sac quadrants, and ends of returns.
- Contraction joints shall be constructed a minimum of 12' apart.
- Joint sealer shall be required at all joints on arterial and industrial streets and at intersections on residential streets.



<p>CITY OF WICHITA PUBLIC WORKS &amp; UTILITIES ENGINEERING DIVISION</p>	<p><b>CURB &amp; GUTTER DETAILS</b></p> <p>CITY ENGINEER <b>JAMES L. ARMOUR, P.E., L.S.</b></p>		
	PROJECT NUMBER <b>472-84592</b>	OCA NUMBER <b>766264</b>	DATE <b>07/11</b>
	<p>CITY ENGINEER'S OFFICE CITY HALL - SEVENTH FLOOR 455 NORTH MAIN STREET WICHITA, KANSAS 67202-1620 (316) 268-4501</p>		
	DESIGN	DRAWN	SHEET <b>3 of 28</b>