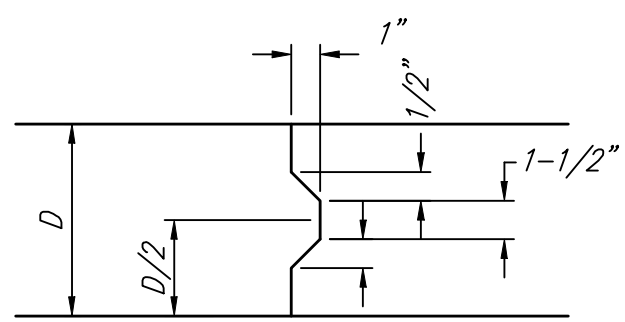
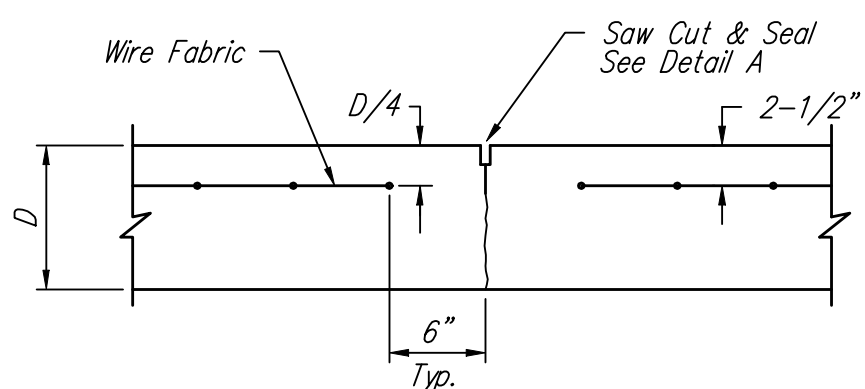


EXPANSION JOINT

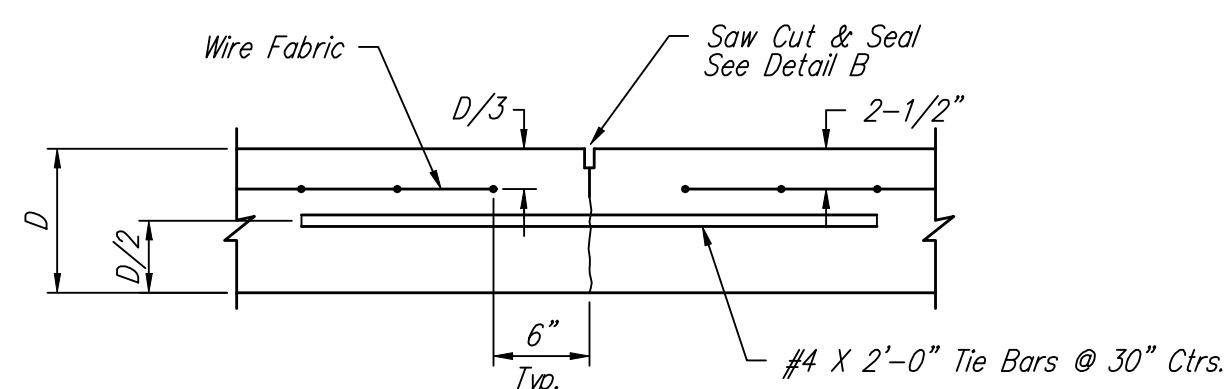
NOTE: Extra Thickness to be Subsidiary to Price of Square Yards Pavement



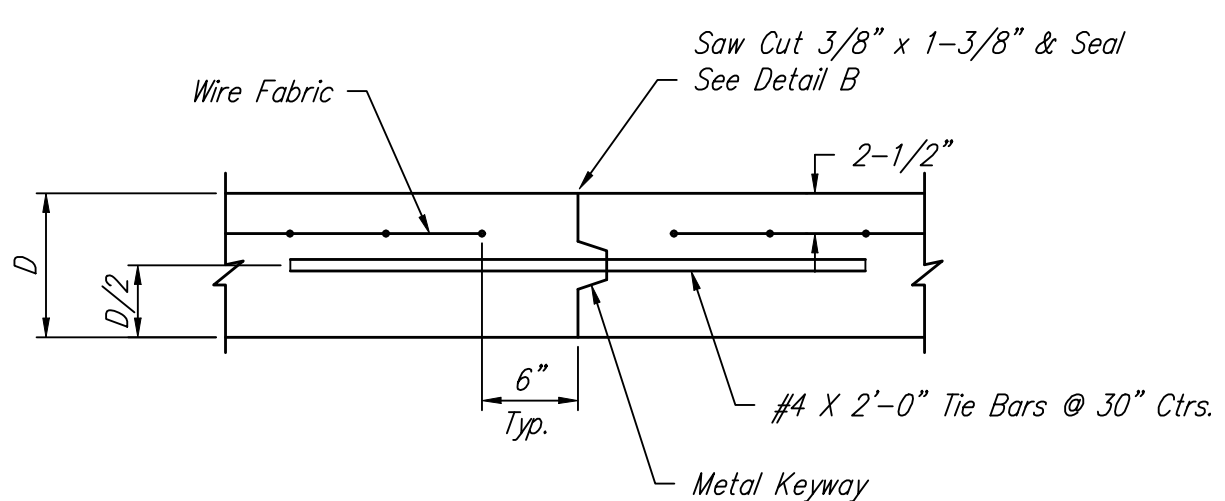
KEYWAY DETAIL



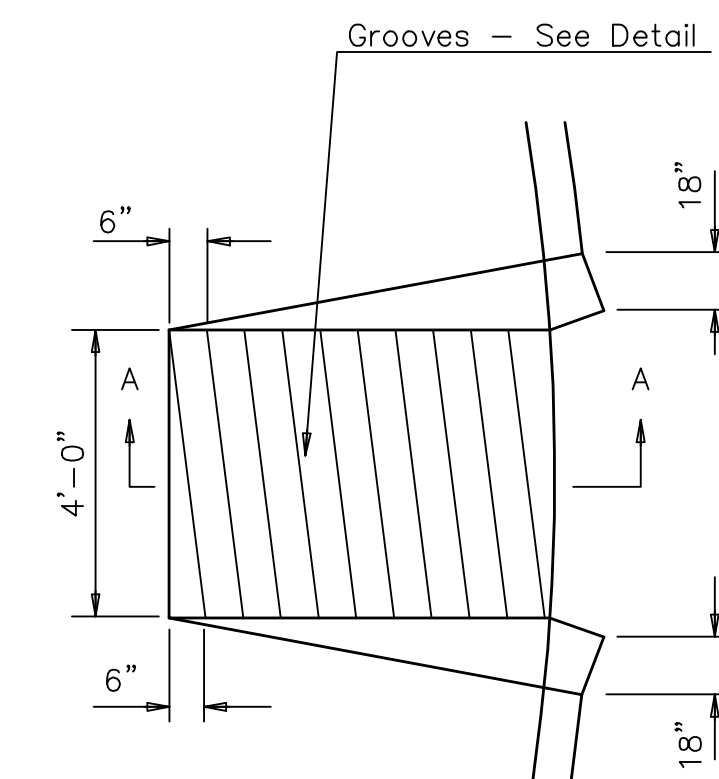
CONTRACTION JOINT DETAIL (C.J.)



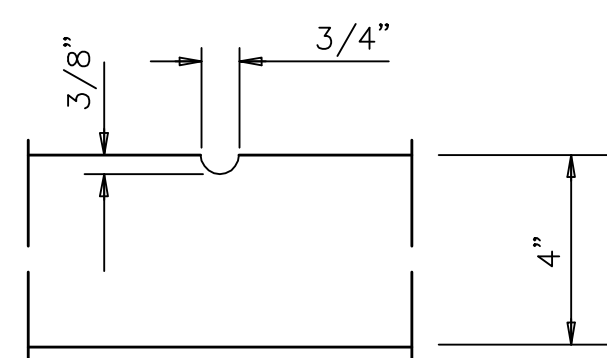
LONGITUDINAL JOINT DETAIL (L.J.)



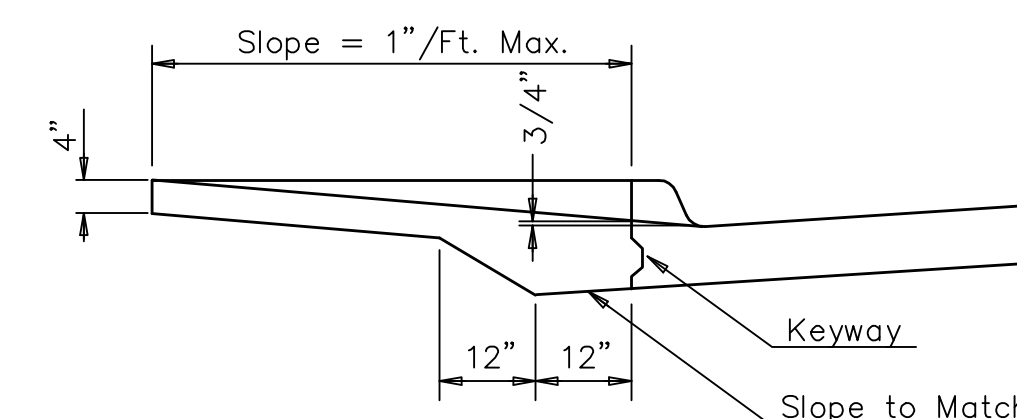
OPTIONAL LONGITUDINAL JOINT DETAIL (L.J.) (CONSTRUCTION JOINT)



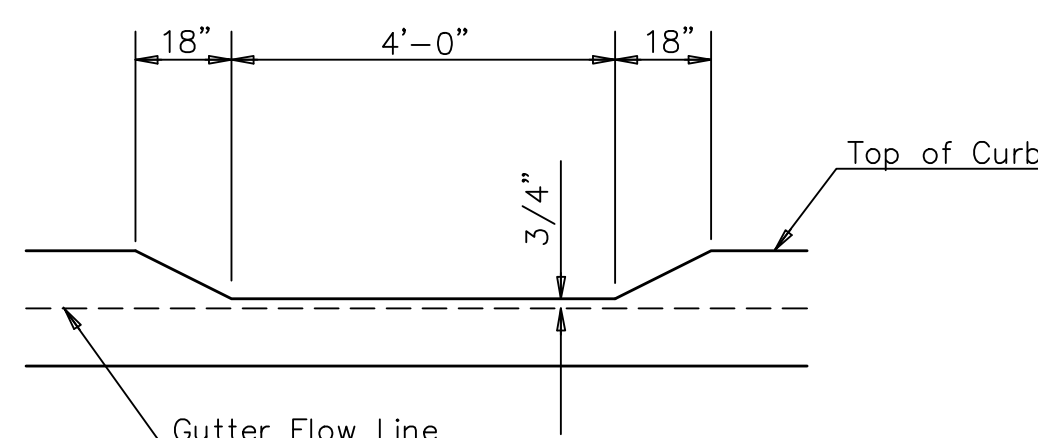
WHEELCHAIR RAMP PLAN VIEW



GROOVE DETAIL

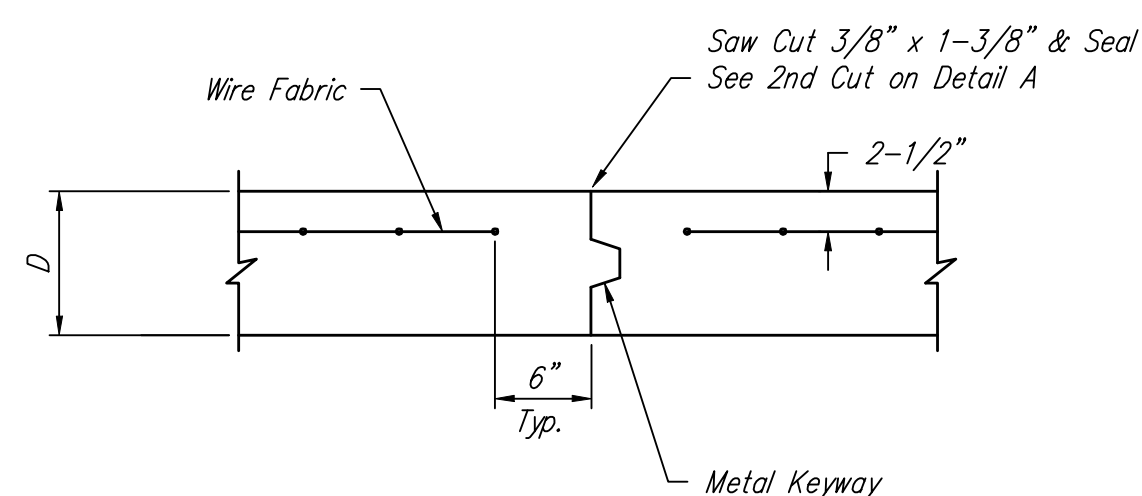


SECTION A-A

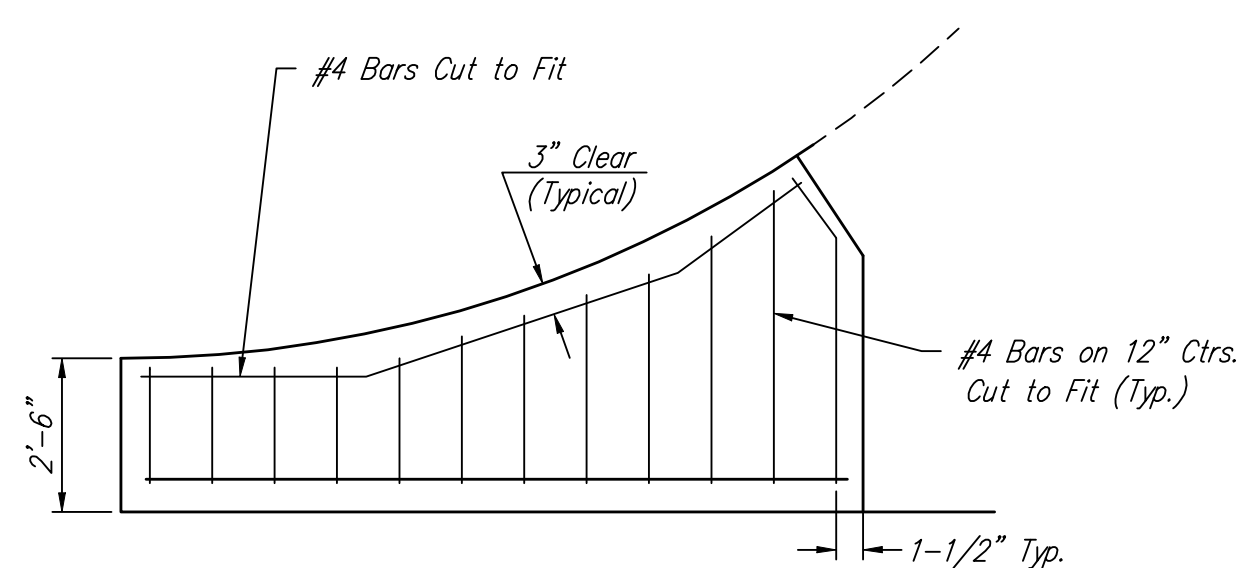


DEPRESSED CURB DETAIL

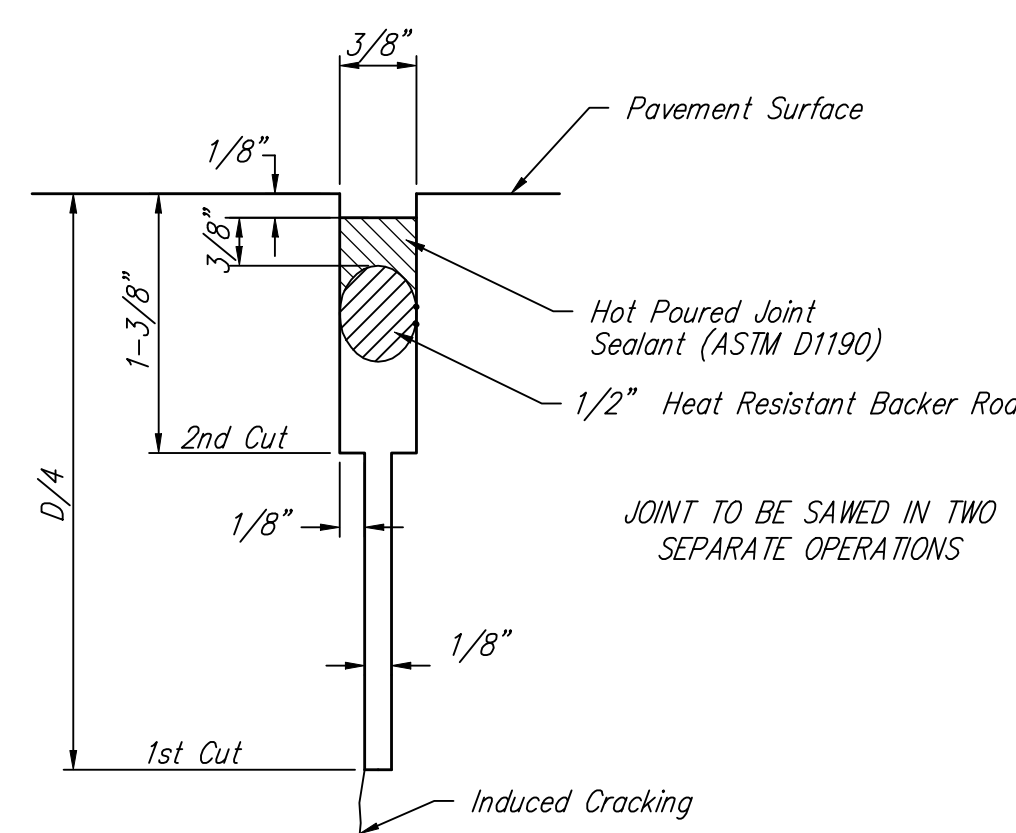
WHEELCHAIR RAMP DETAIL



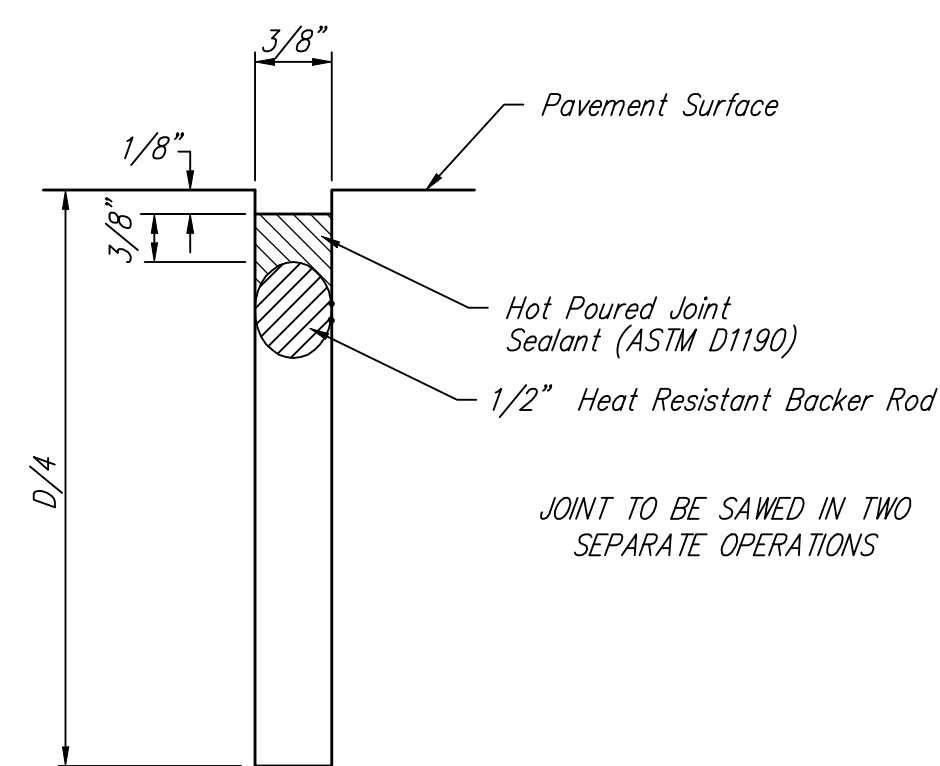
OPTIONAL CONTRACTION JOINT (CONSTRUCTION JOINT)



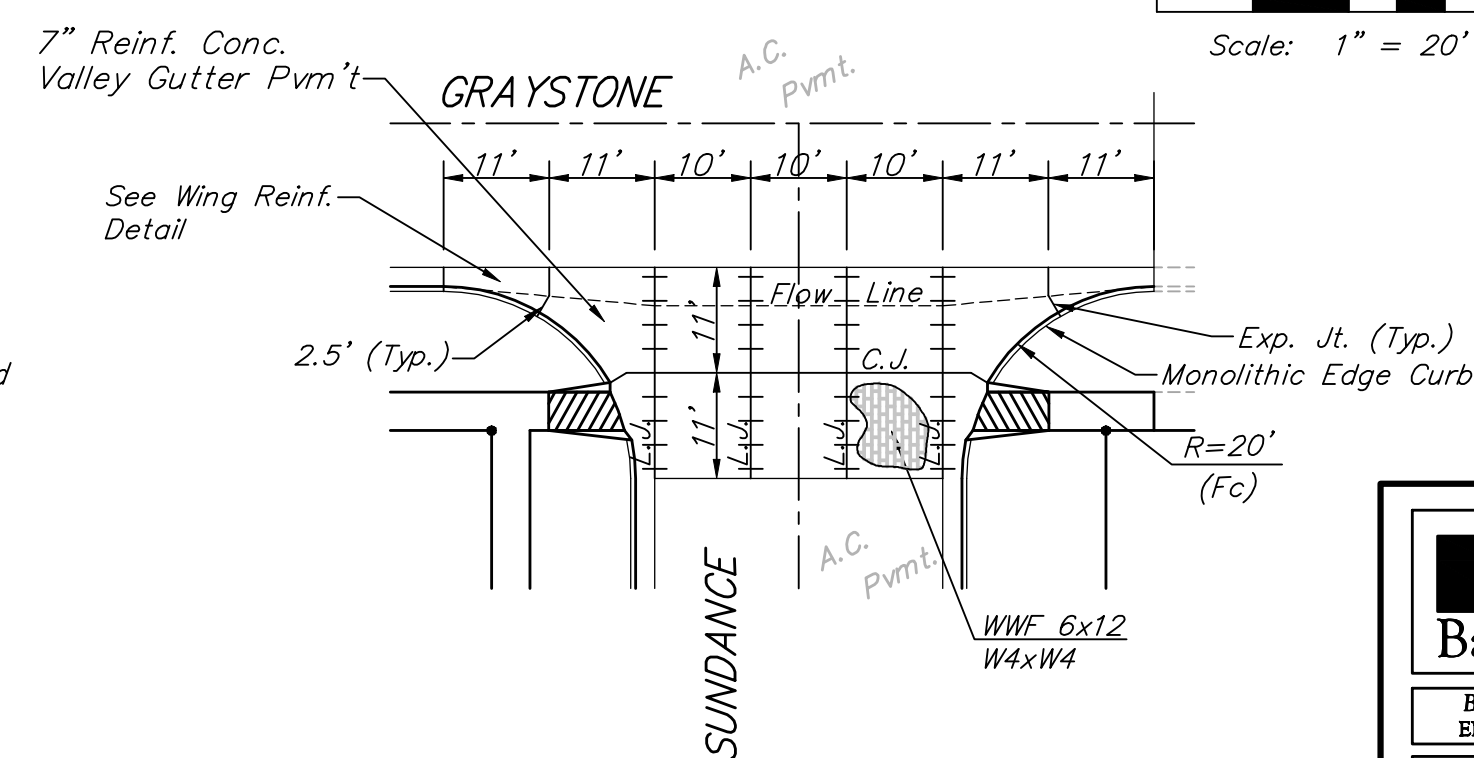
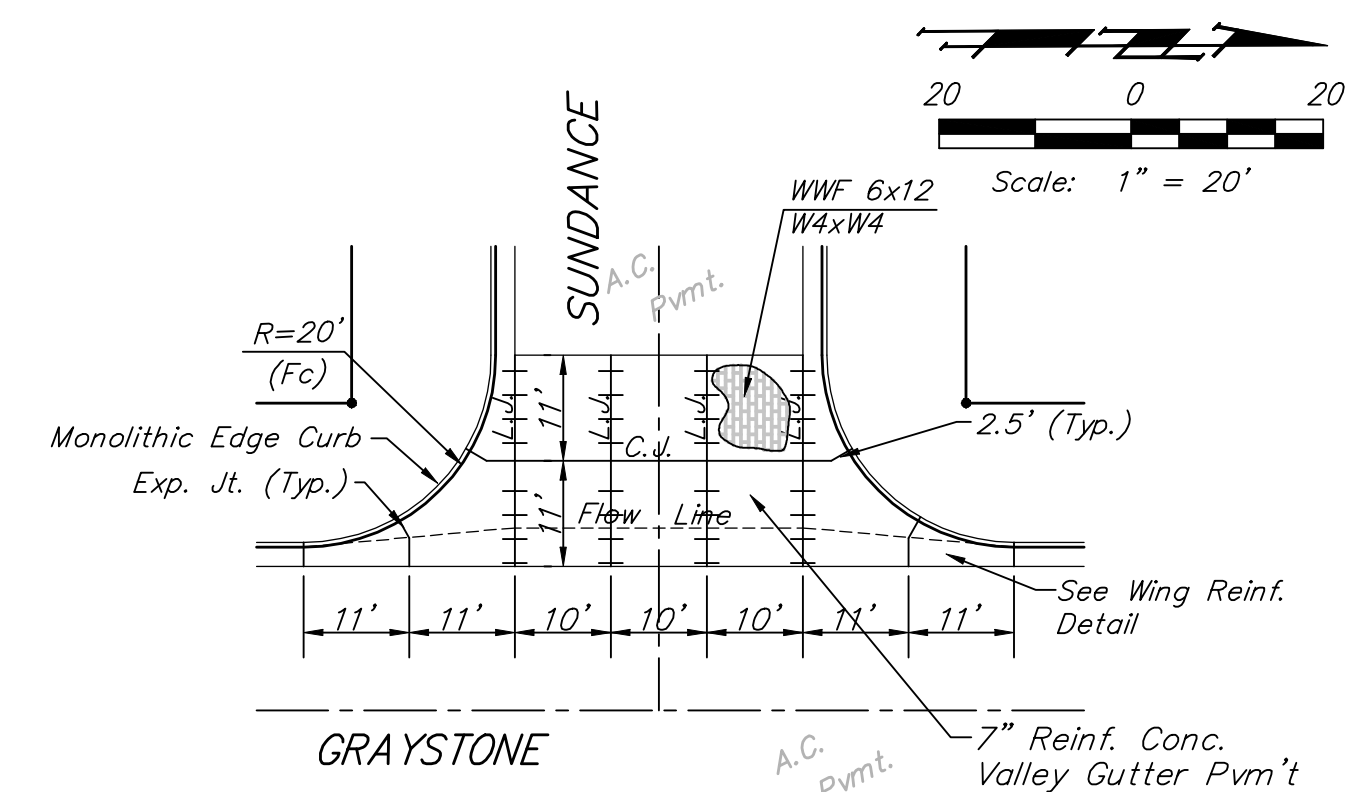
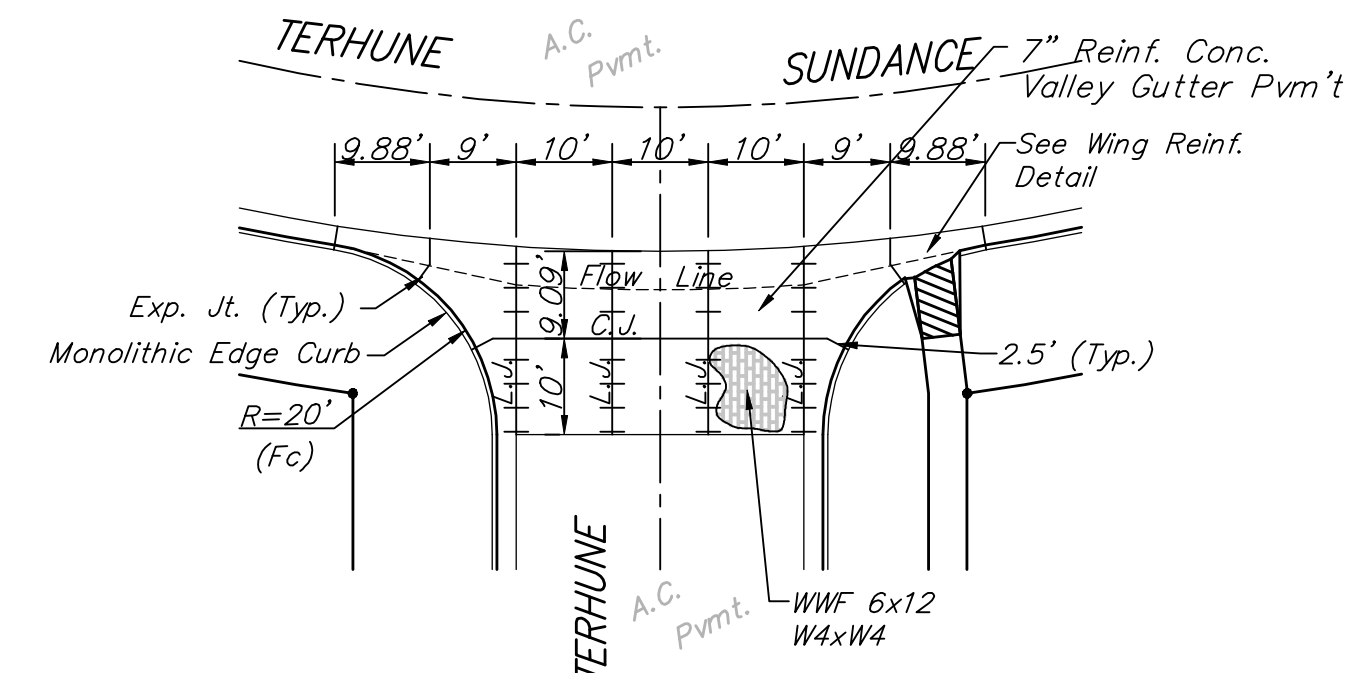
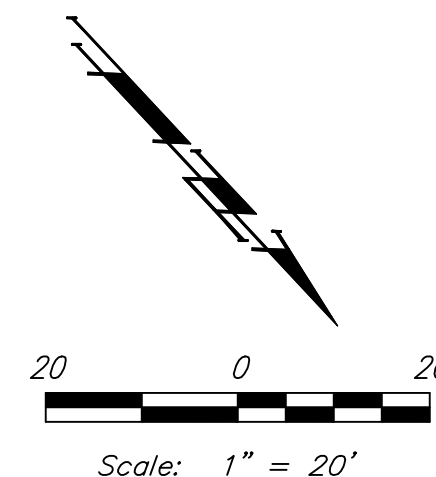
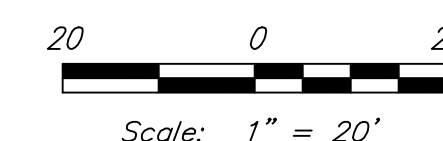
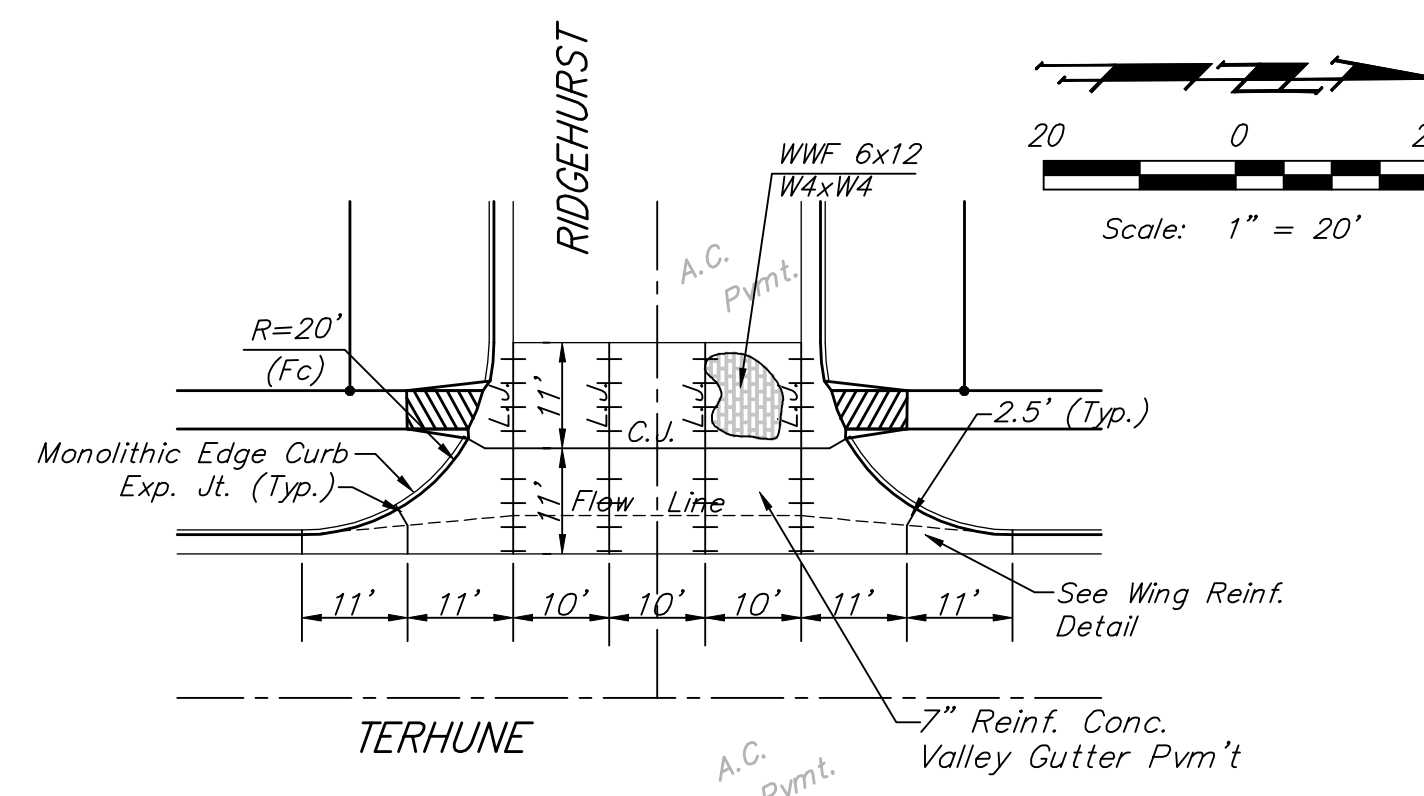
WING REINFORCING DETAIL



SAW JOINT DETAIL "A"



SAW JOINT DETAIL "B"



NOTE: 6" X 12" W4XW4 Wire Fabric Reinforcing Shall Be Placed So That The Wires With The 6" Spacing Will Run Parallel With The Longitudinal Joints.

		VALLEY GUTTER DETAILS	
		Baughman Company, P.A. 515 Ella St. Wichita, KS 67211 P 316-263-7271 F 316-263-0149 ENGINEERING SURVEYING PLANNING LANDSCAPE ARCHITECTURE	
PROJECT NUMBER 47284592		DESIGN STAFF	DRAWN STAFF
REVISIONS:		APPROVED	DATE
		SCALE NONE	07/11
		5 OF 28	
05 Vgdetail.dwg		06-08-E635	