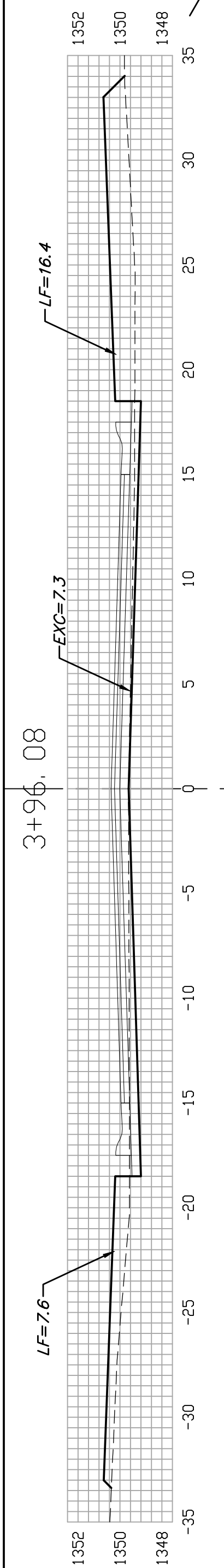
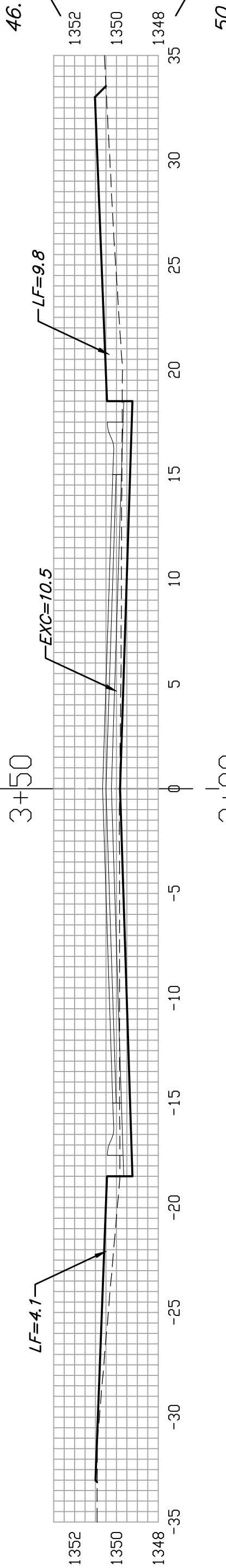


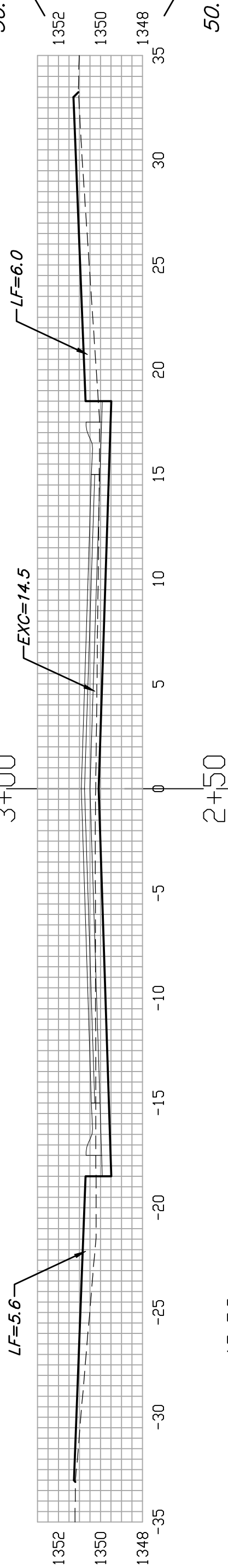
3+96.08



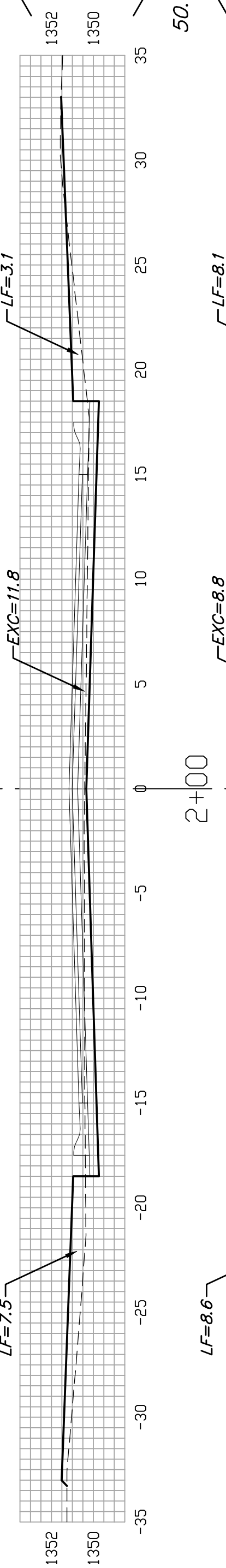
3+50



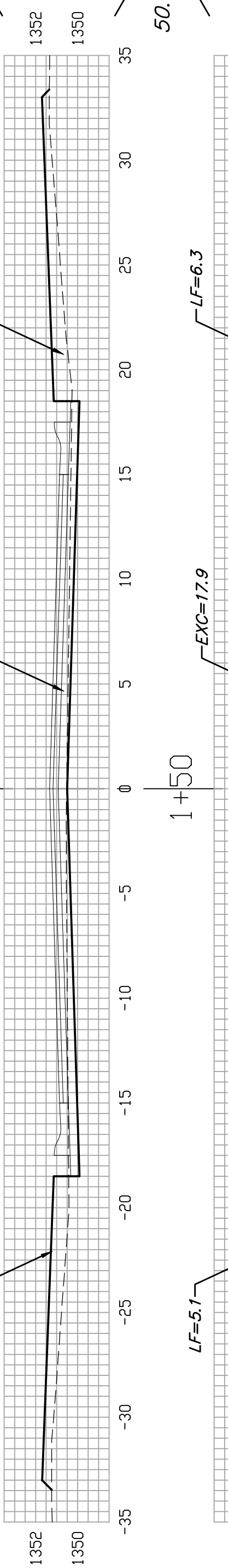
3+00



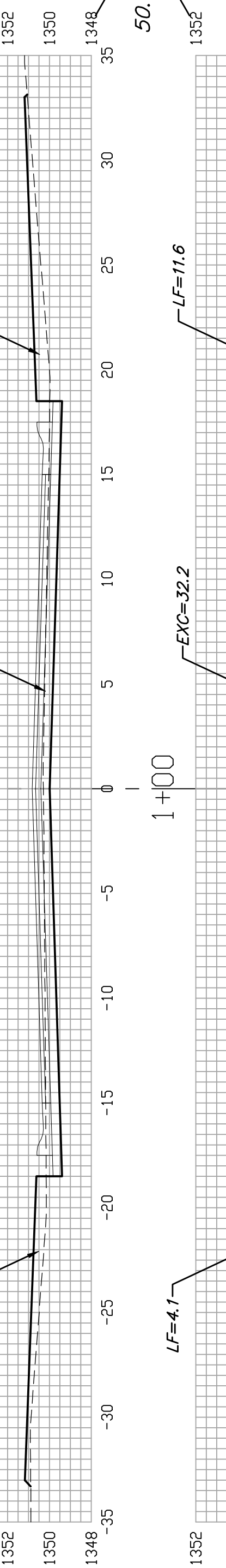
2+50



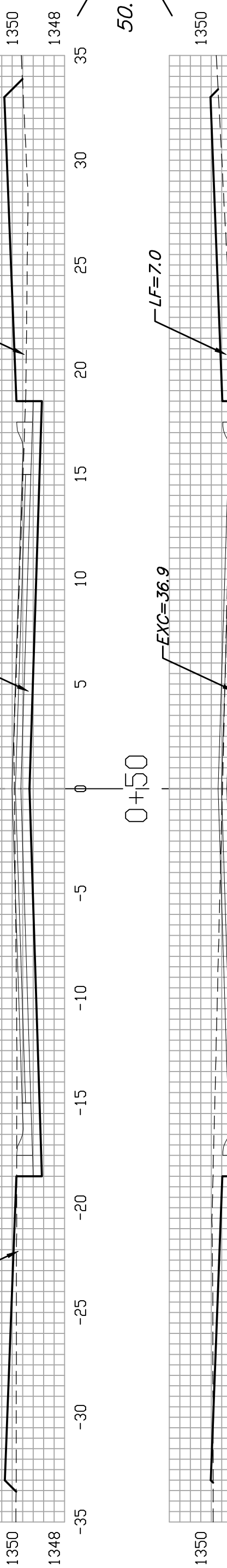
2+00



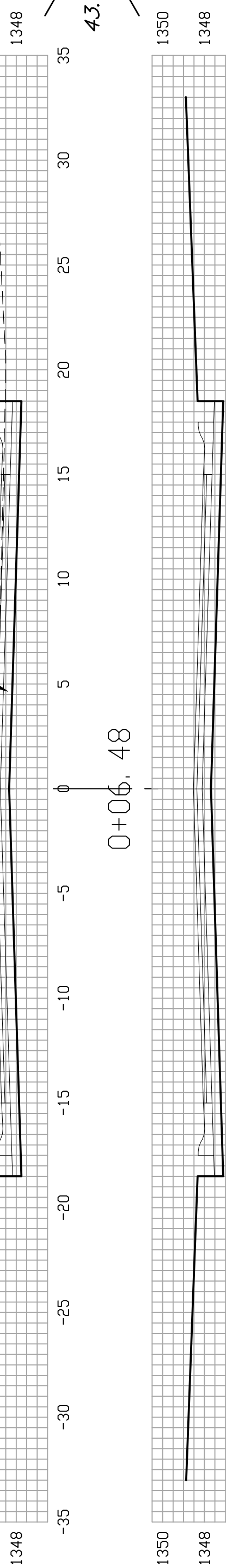
1+50



1+00



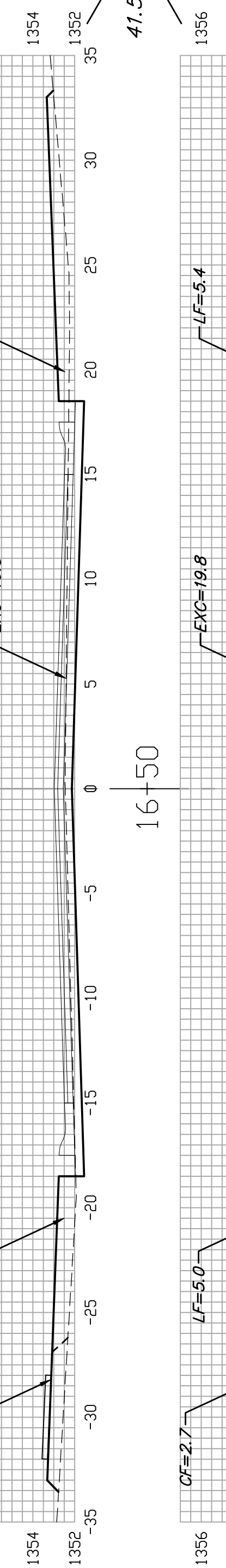
0+50



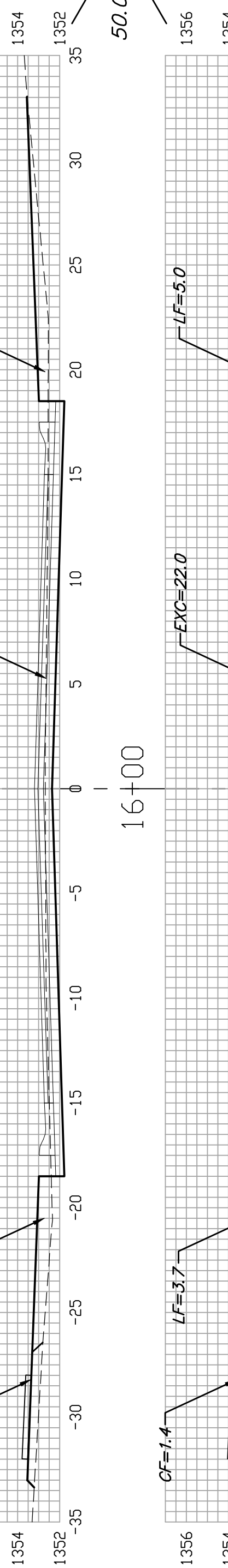
0+06.48

Ridgehurst

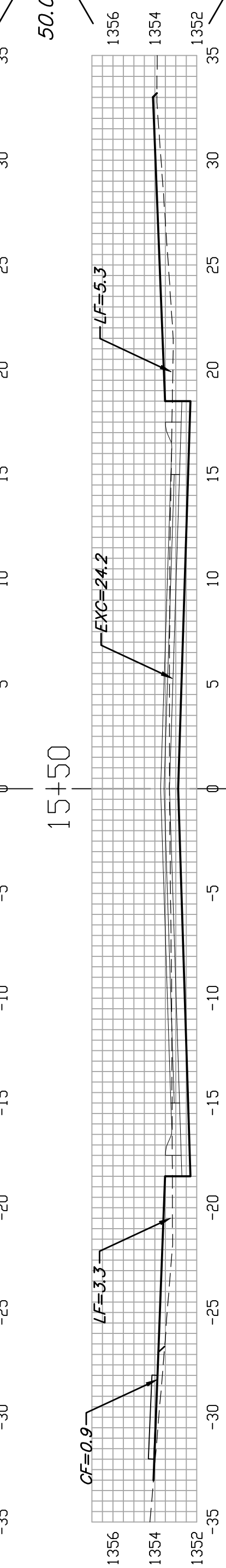
16+91.55



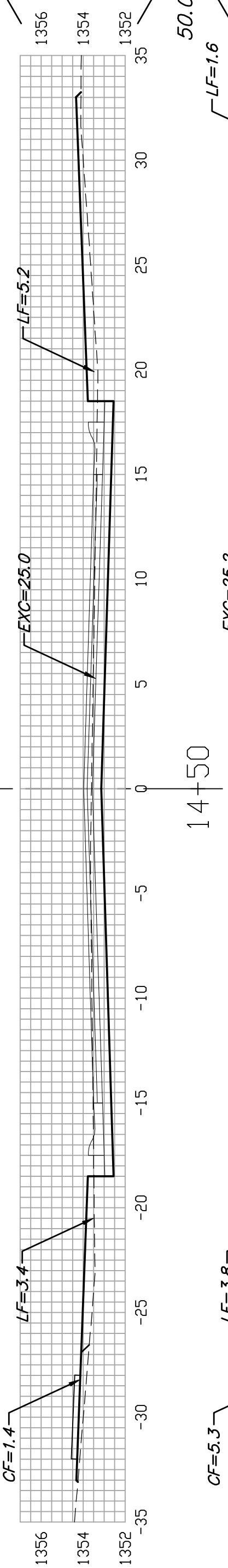
16+50



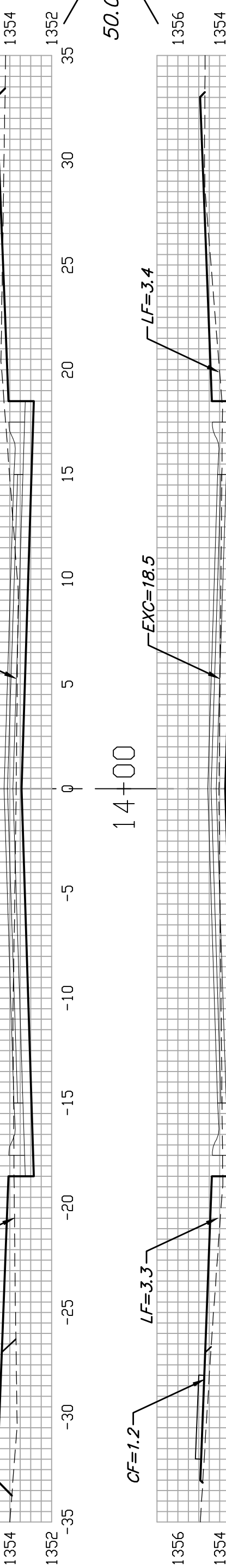
16+00



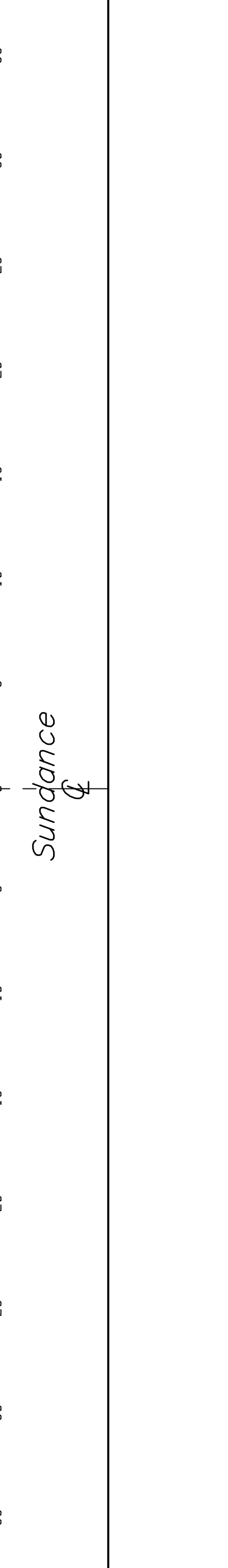
15+50



15+00



14+50



14+00

Sundance

Sheet Totals:
Excavation = 488.6 C.Y.
Loose Fill = 272.8 C.Y.
Compacted Fill = 25.7 C.Y.

