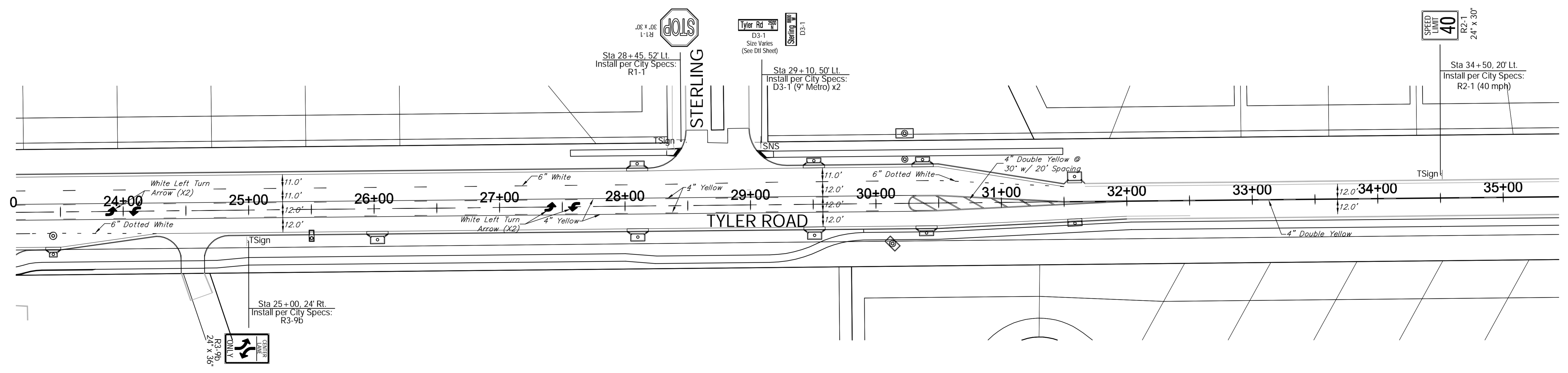
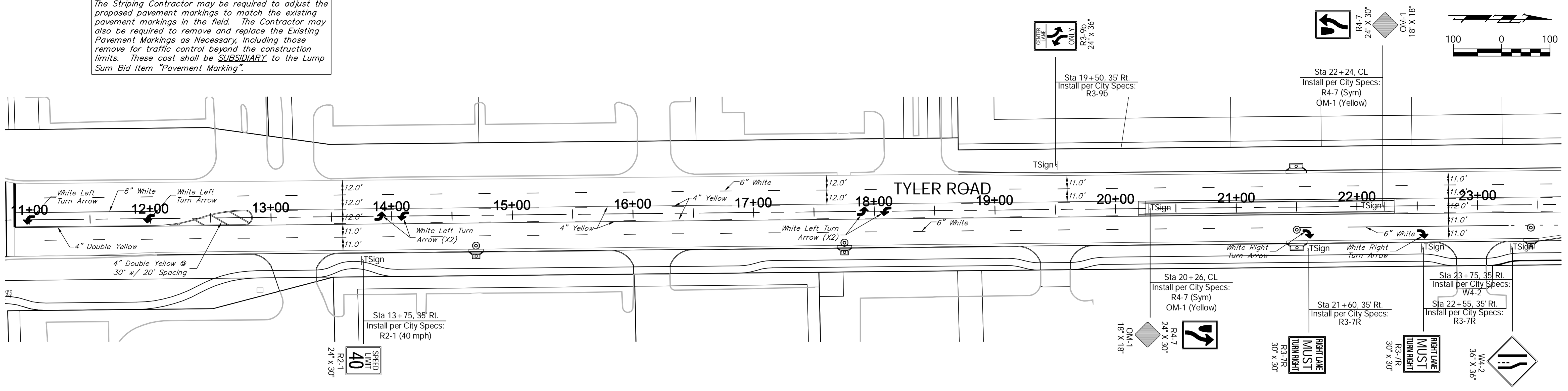


The Striping Contractor may be required to adjust the proposed pavement markings to match the existing pavement markings in the field. The Contractor may also be required to remove and replace the Existing Pavement Markings as Necessary, including those remove for traffic control beyond the construction limits. These cost shall be SUBSIDIARY to the Lump Sum Bid Item "Pavement Marking".



Drawing File: E:\Projects\Tyler - 21st to 29th\Traffic\Tyler Road Marking.dwg (Marking 01)
 Project No. 1012E575 CAPITAL IMPROVEMENT PROJECT
 Design: TPV
 Drawn: STAFF
 Approved: TPV
 Scale: 1" = 40'

**TYLER ROAD
 MARKING & SIGNING PLAN**

Baughman Company, P.A.
 315 Ellis St., Wichita, KS 67211 P 316-262-7271 F 316-262-0149
 ENGINEERING | SURVEYING | PLANNING | LANDSCAPE ARCHITECTURE