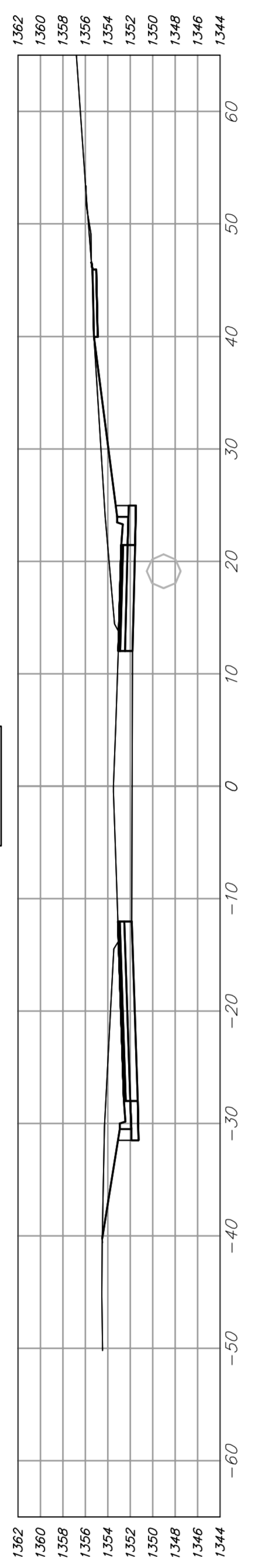
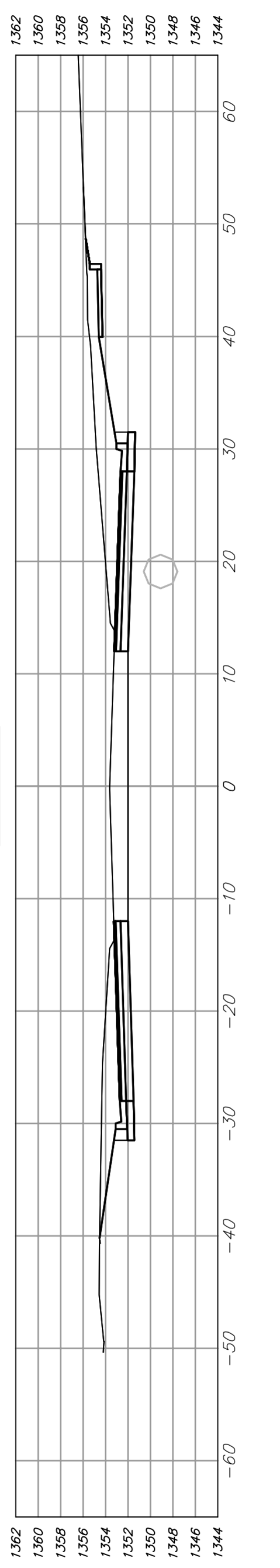


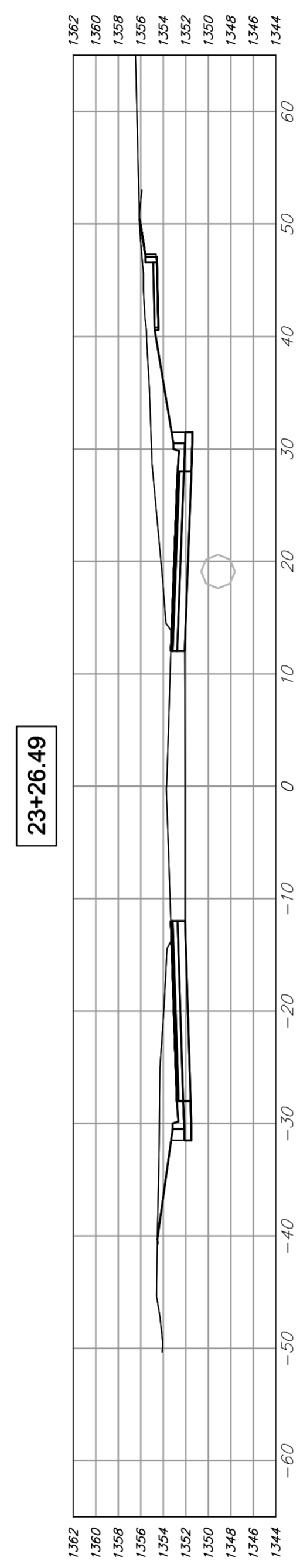
24+50.00



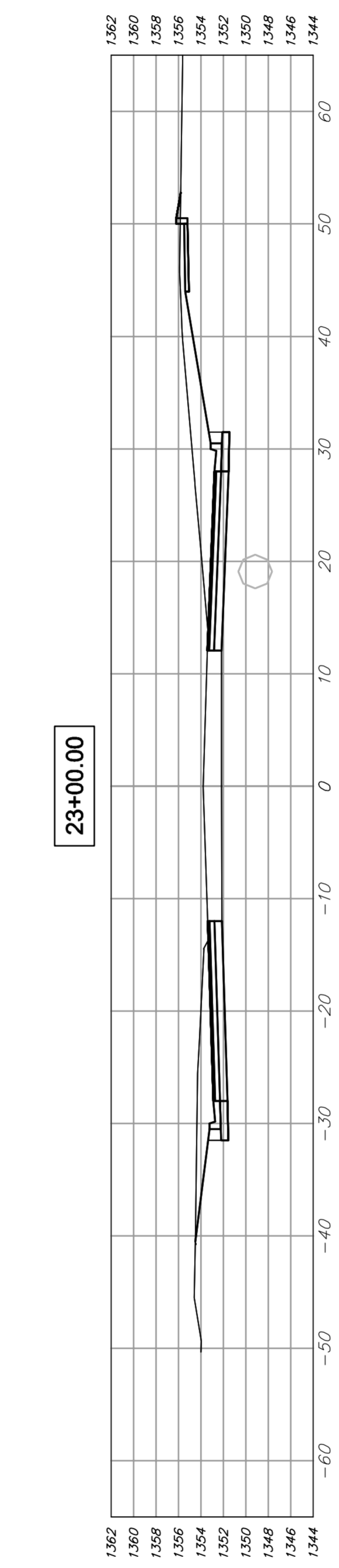
24+00.00



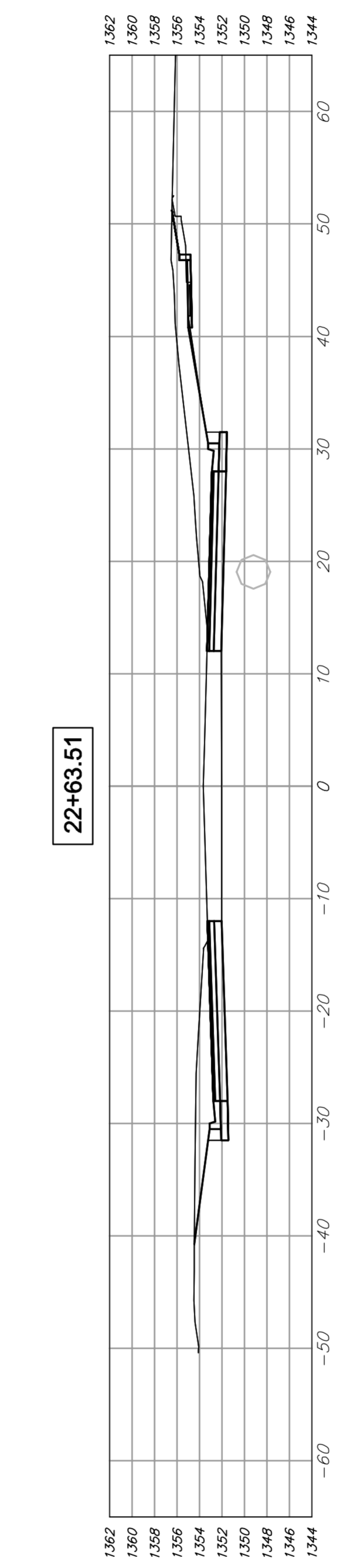
23+50.00



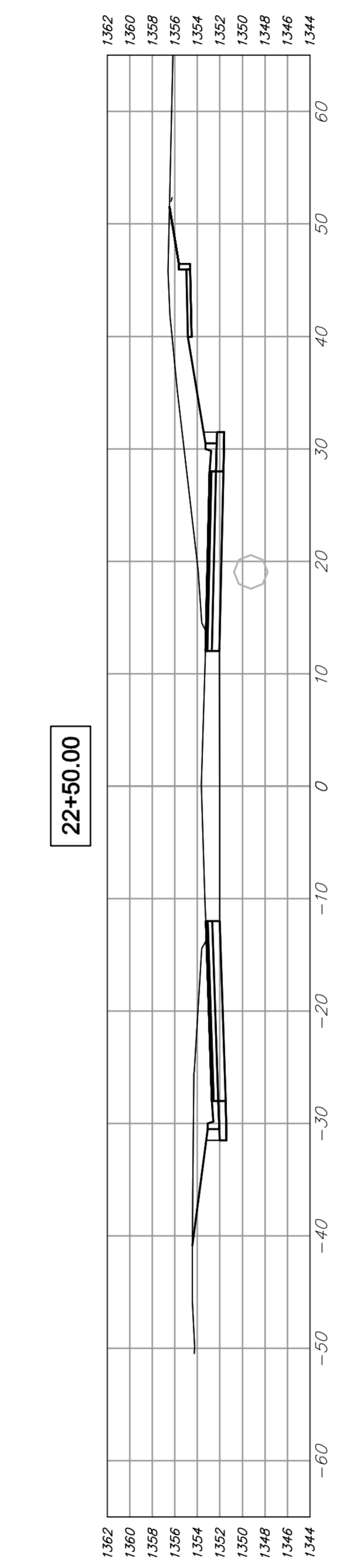
23+26.49



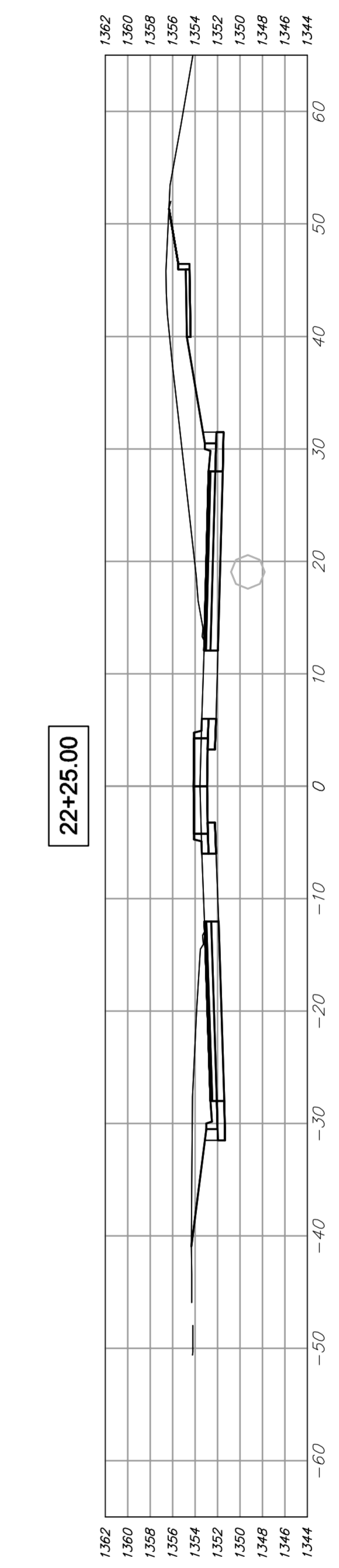
23+00.00



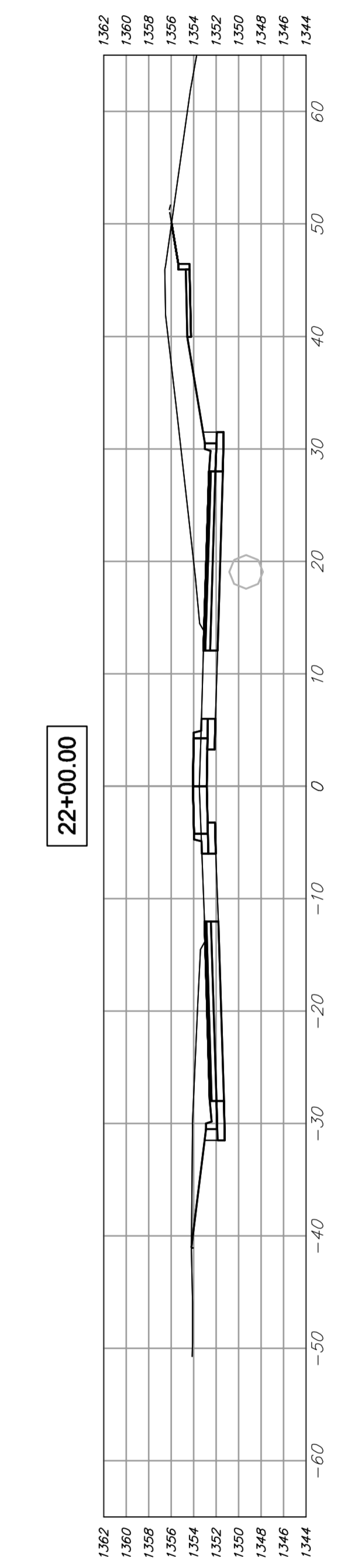
22+63.51



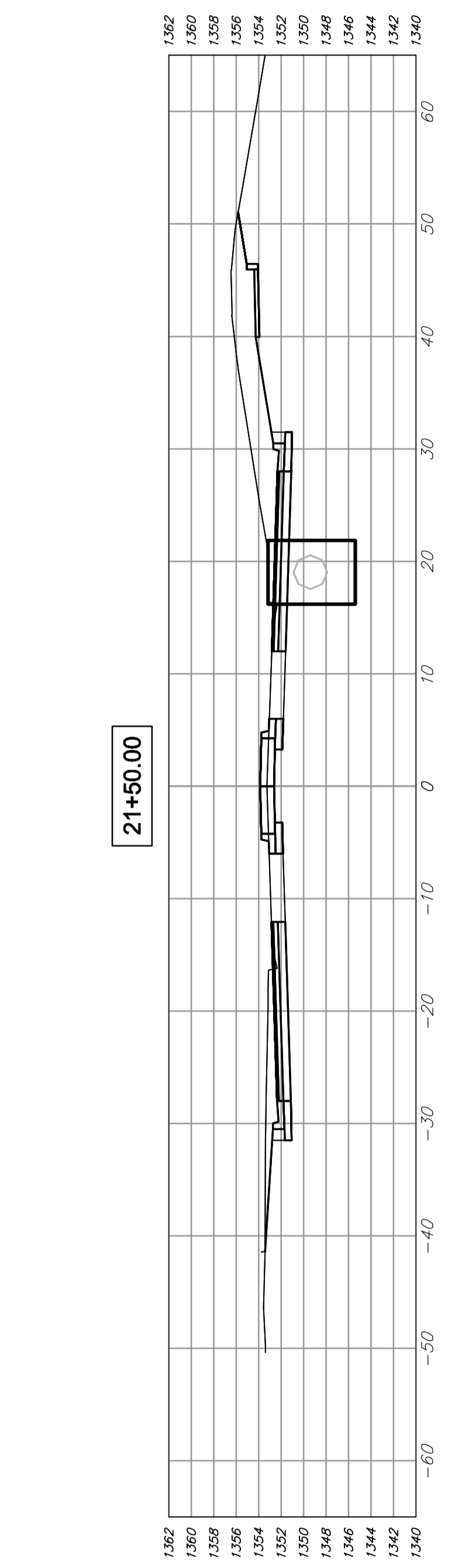
22+50.00



22+25.00



22+00.00



21+50.00