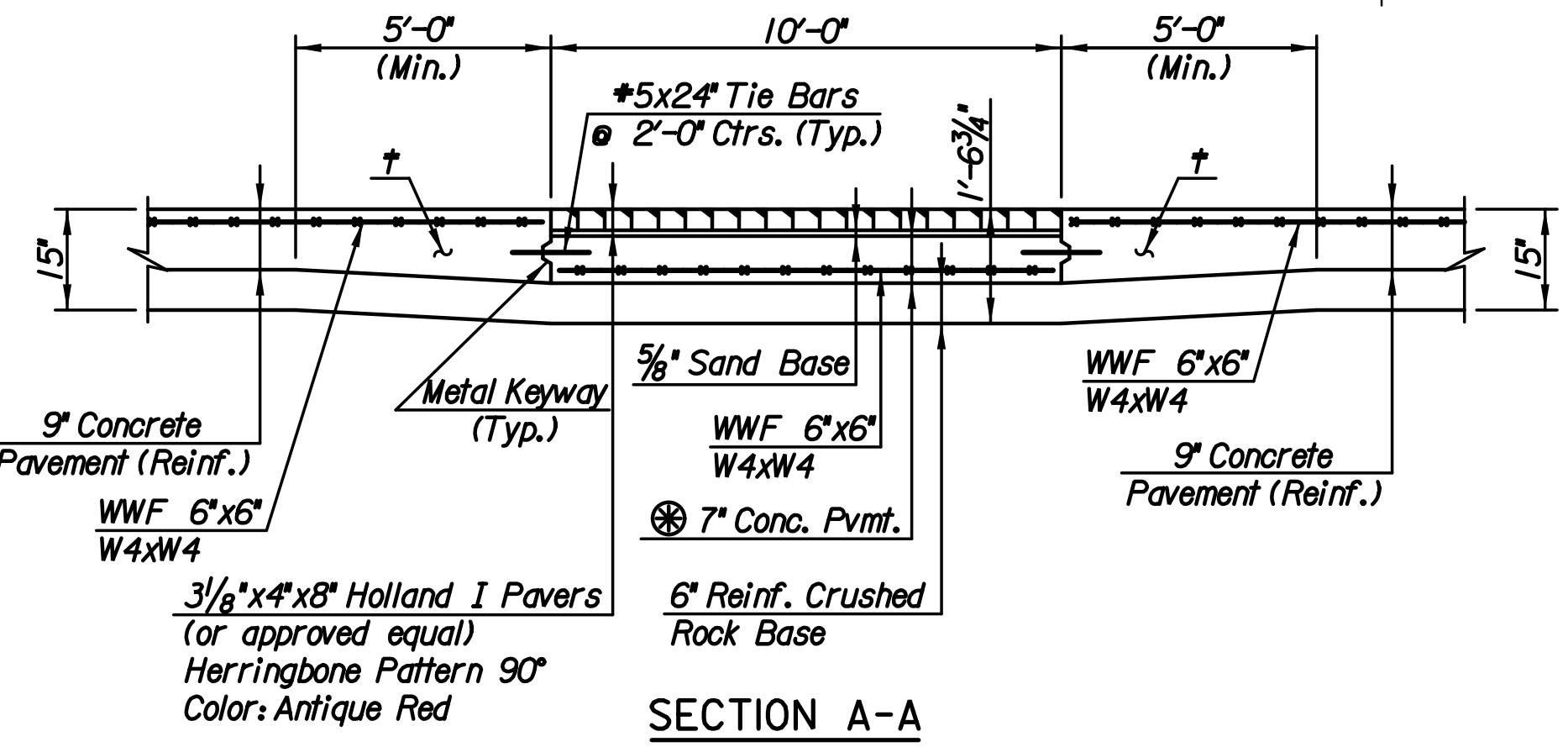
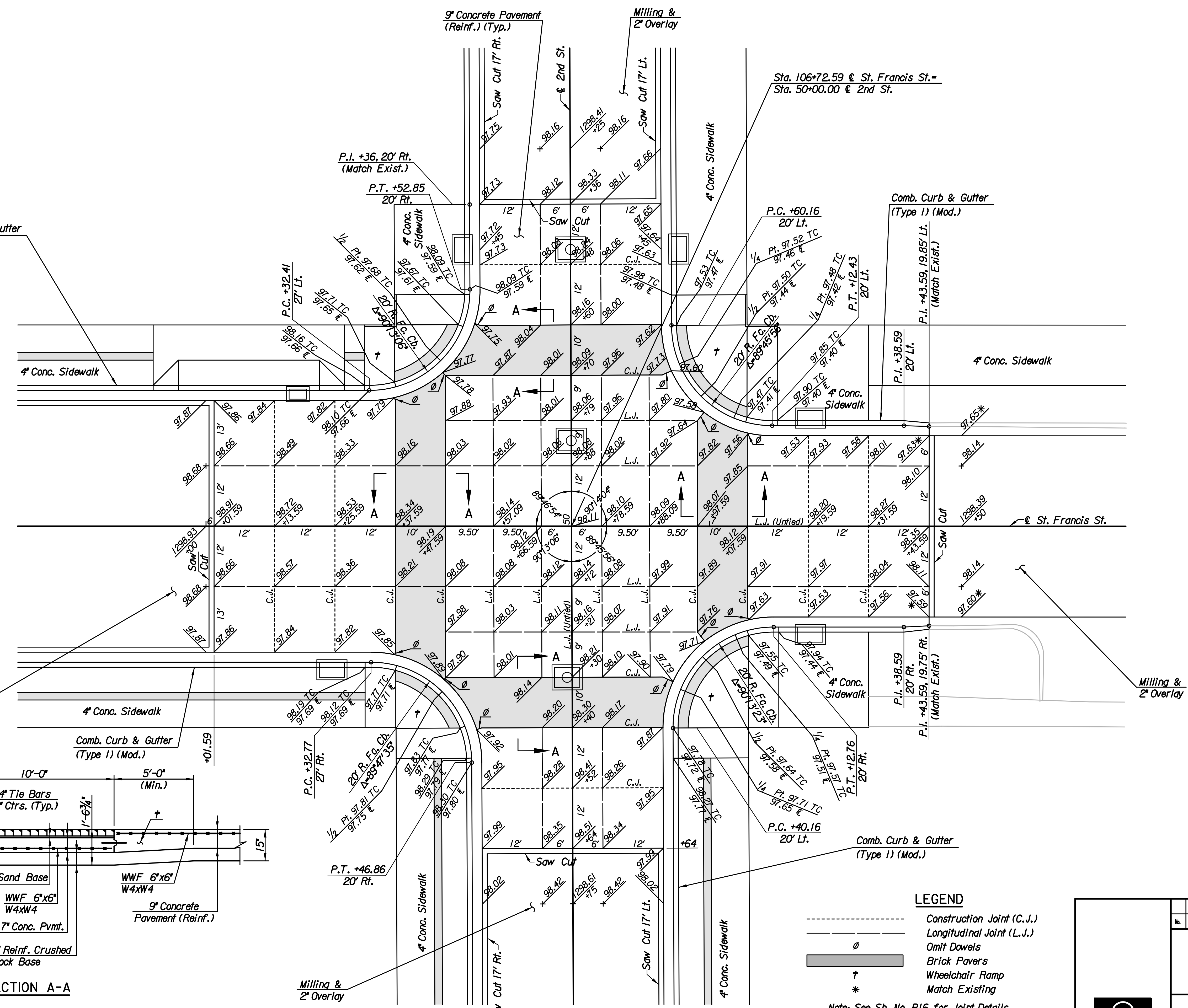


Comb. Curb & Gutter
(Type 1) (Mod.)



LEGEND

- Construction Joint (C.J.)
- Longitudinal Joint (L.J.)
- Omit Dowels
- Brick Pavers
- † Wheelchair Ramp
- * Match Existing

Note: See Sh. No. R16 for Joint Details.

⊗ 7" Concrete Pavement to be paid as "Concrete Pavement 9" (Reinf.)"
 † Additional Pavement Thickness shall be Subsidiary to "Concrete Pavement 9" (Reinf.)"

Plotted By: svb Date: 7/14/2011 12:45:36 AM
 FILE: I:\2010\10310\Intersections\10310-IntD11 2nd St.dgn

ST. FRANCIS STREET		By	Date
INTERSECTION DETAIL			
ST. FRANCIS AND 2ND ST.			
JAMES L. ARMOUR, P.E. - CITY ENGINEER CITY OF WICHITA PROJECT NO. 472-84920			
Professional Engineering Consultants, P.A. 303 S. TOPEKA - WICHITA, KANSAS 67202 316-262-2691 • FAX 316-262-3003			
Designed by	JPS	Job No.	10310
Drawn by	SVB	Date	July, 2011
			Sht. R15 of 101