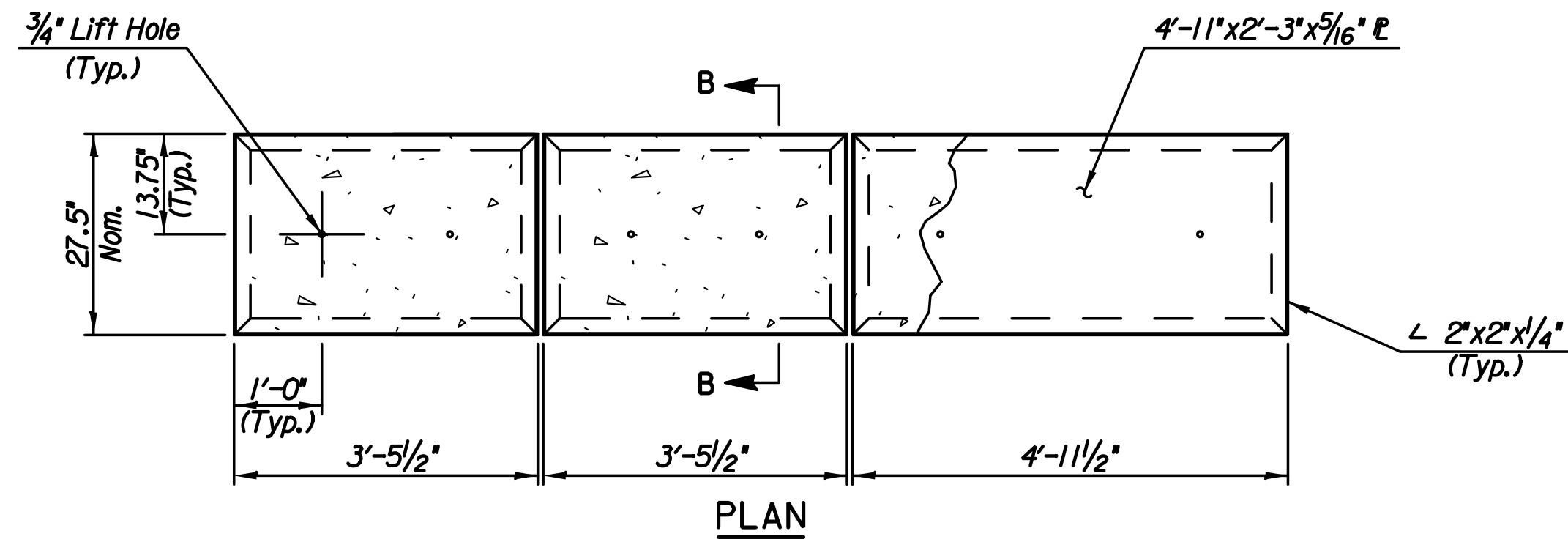
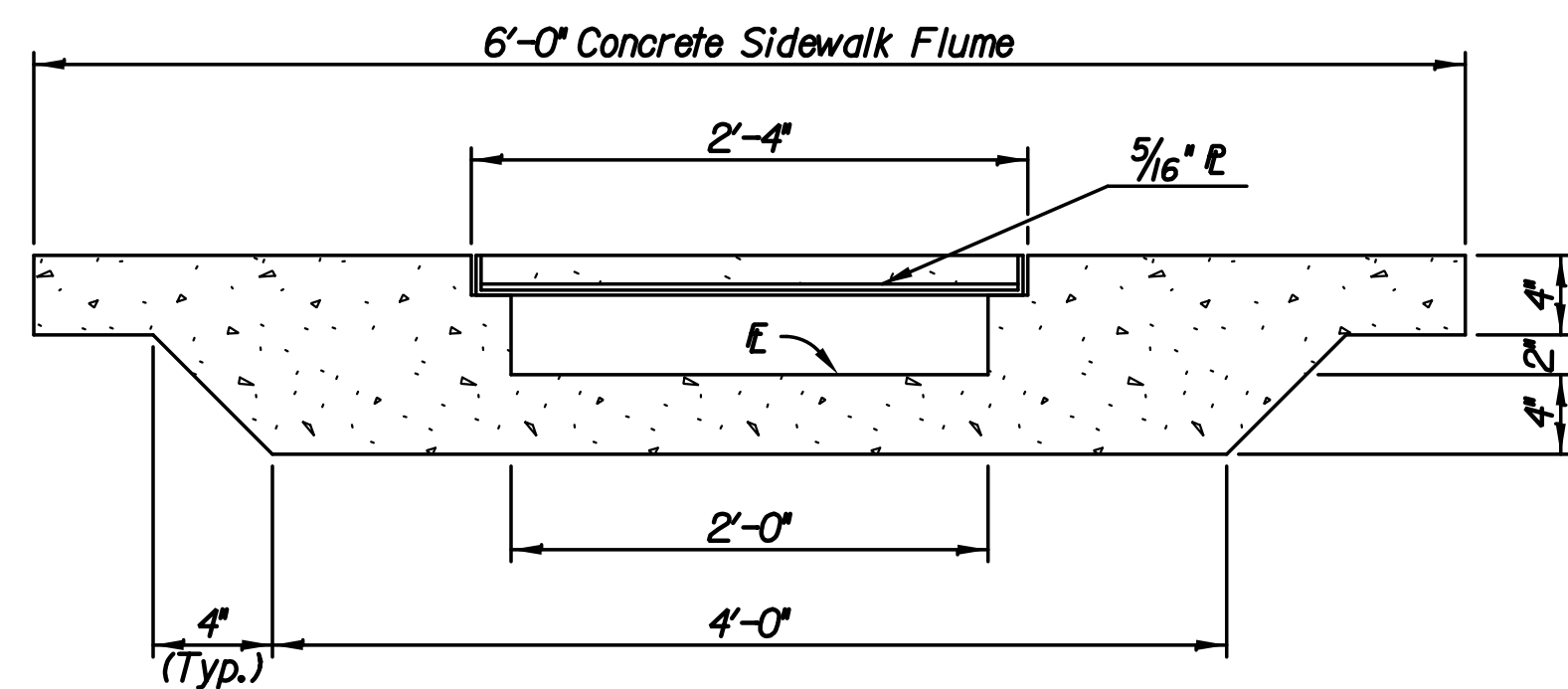


SECTION B-B

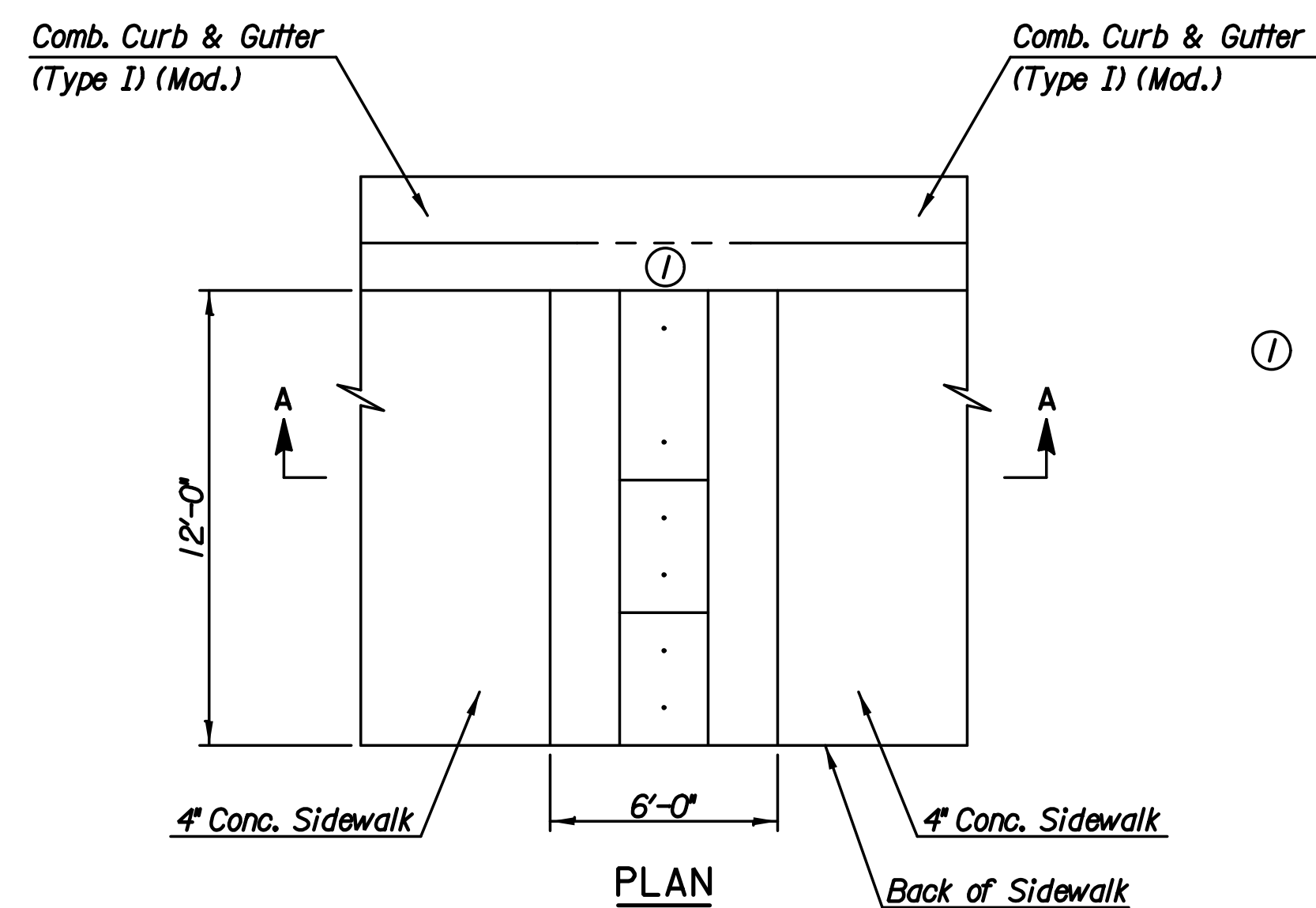
* Propex Fibermesh 150 @ 1.5 lbs./C.Y. or equivalent as approved by the Engineer.



PLAN



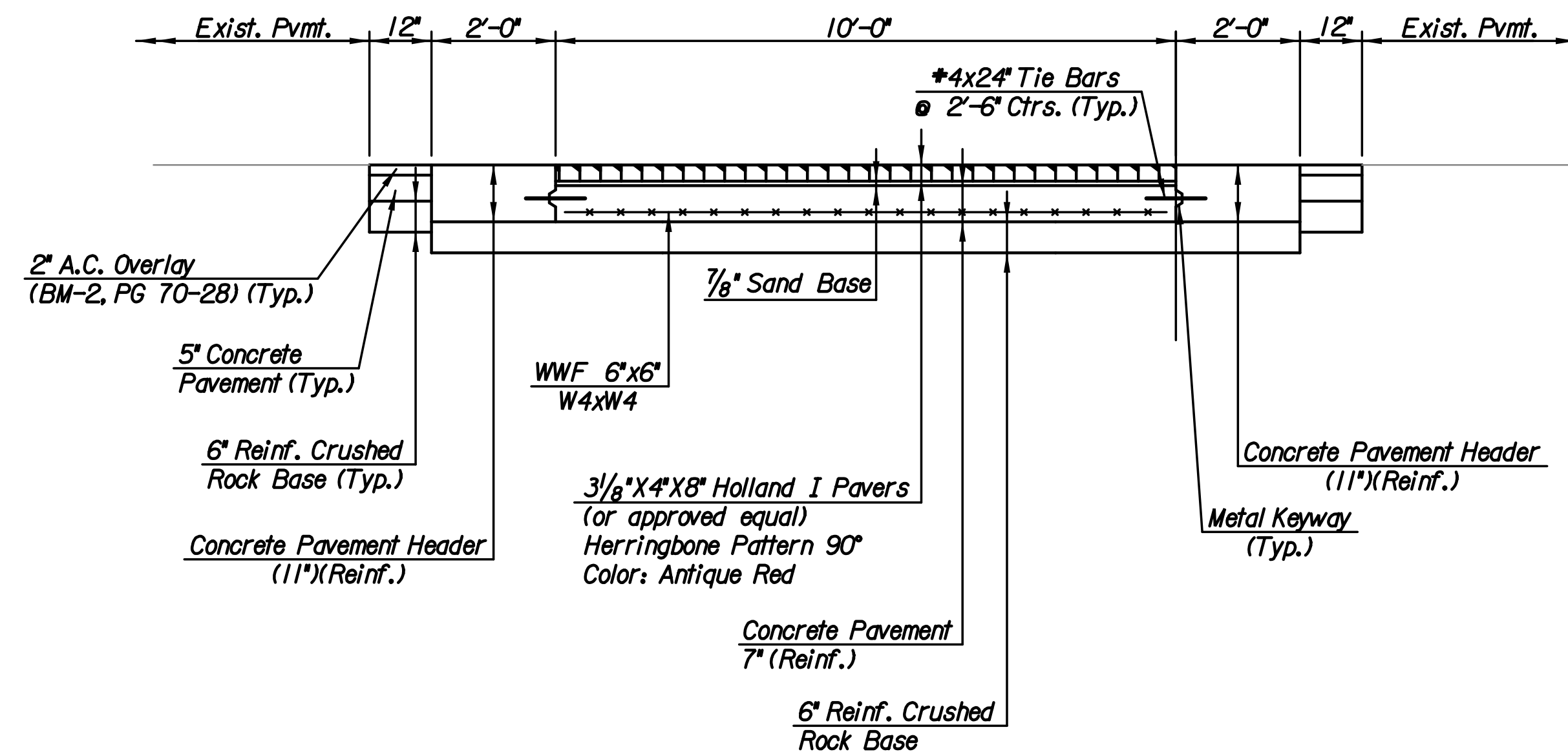
SECTION A-A



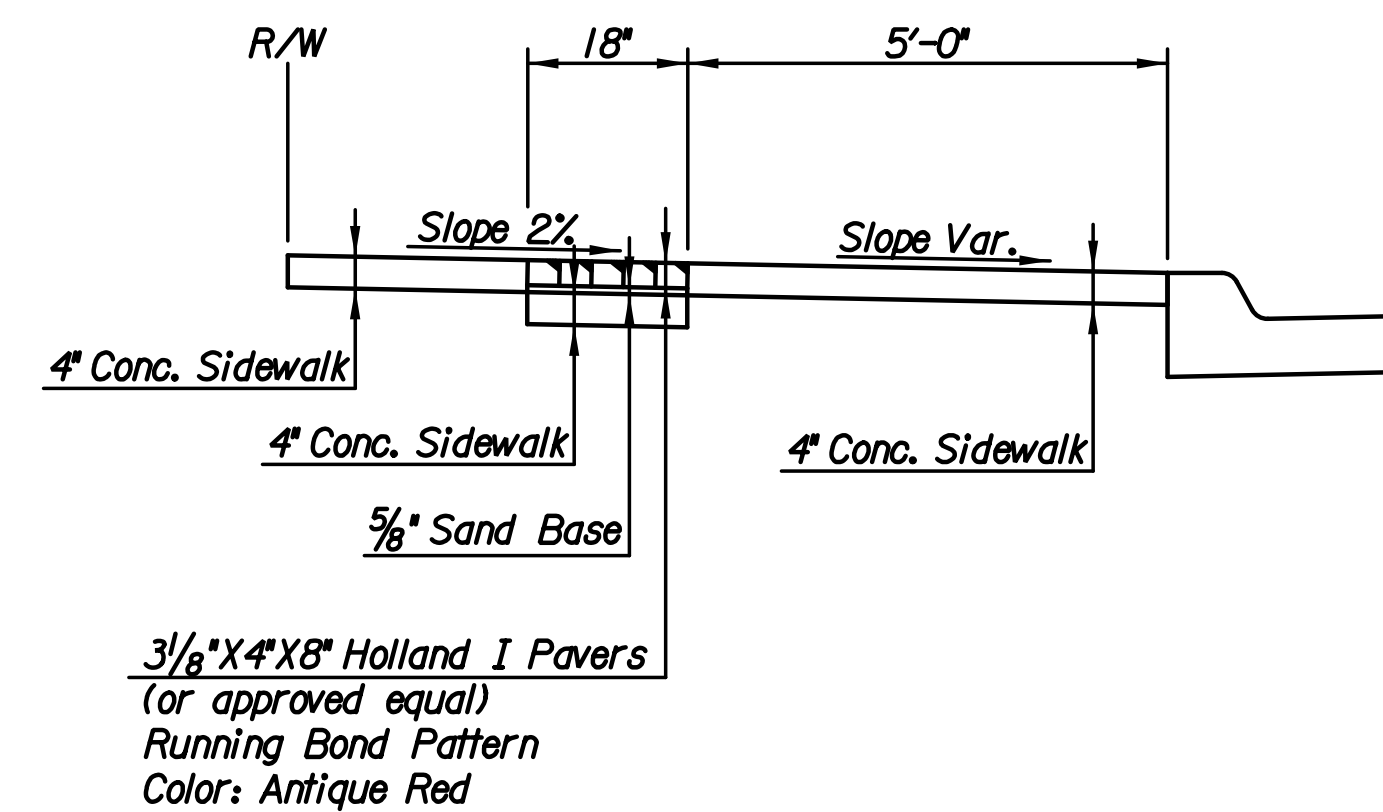
PLAN

CONCRETE SIDEWALK FLUME DETAIL
Sta. 99+06 and Sta. 103+87

① No Curb Thru Sidewalk Flume Opening. Retain E of Gutter. Paid for as Combined Curb & Gutter (Type I) (Mod.).



MID-BLOCK CROSSWALK DETAILS
(Sta. 97+29 TO Sta. 104+10)



SIDEWALK BRICK BAND DETAILS

Plotted By: svb Date: 7/14/2011 9:28:51 AM
FILE: I:\2010\10310\standards\10310-MiscDTH.dgn

No.	Revision	By	Date
ST. FRANCIS STREET			
MISCELLANEOUS DETAILS			
JAMES L. ARMOUR, P.E. - CITY ENGINEER CITY OF WICHITA PROJECT NO. 472-84920			
Professional Engineering Consultants, P.A. 303 S. TOPEKA - WICHITA, KANSAS 67202 316-262-2691 • FAX 316-262-3003			
Designed by	JPS	Job No.	10310
Drawn by	SVB	Date	July, 2011
			Sht. R18 of 101