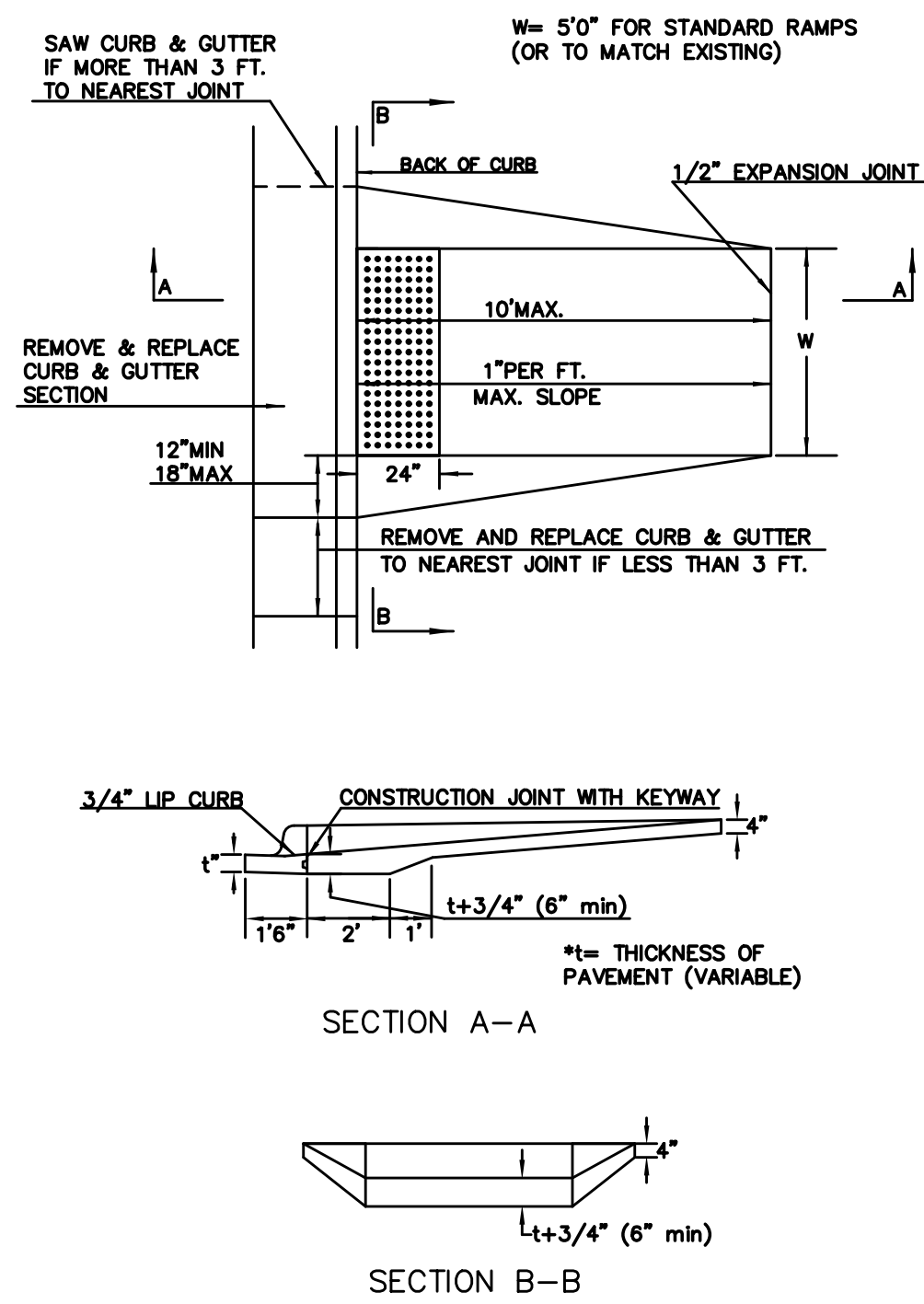
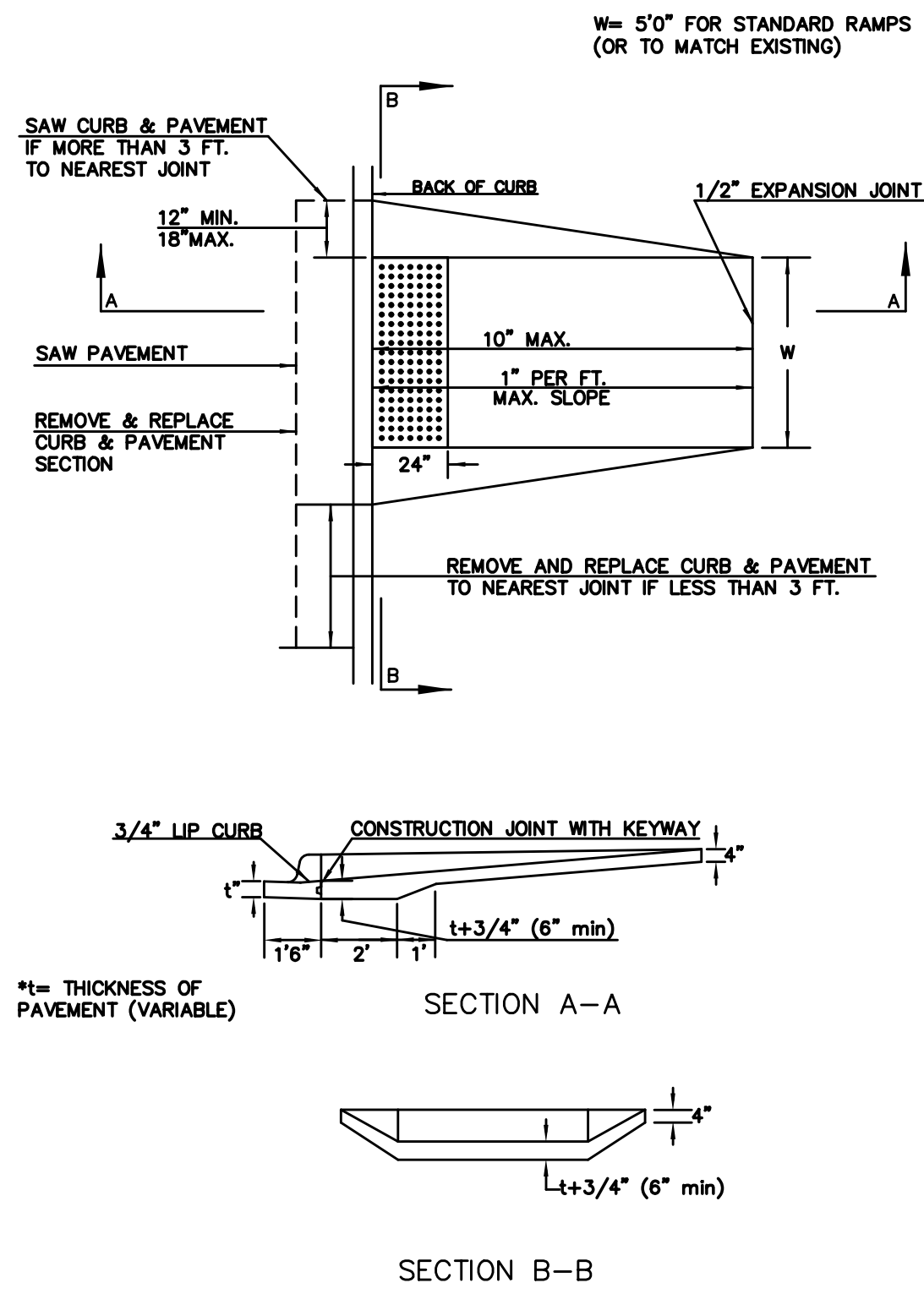


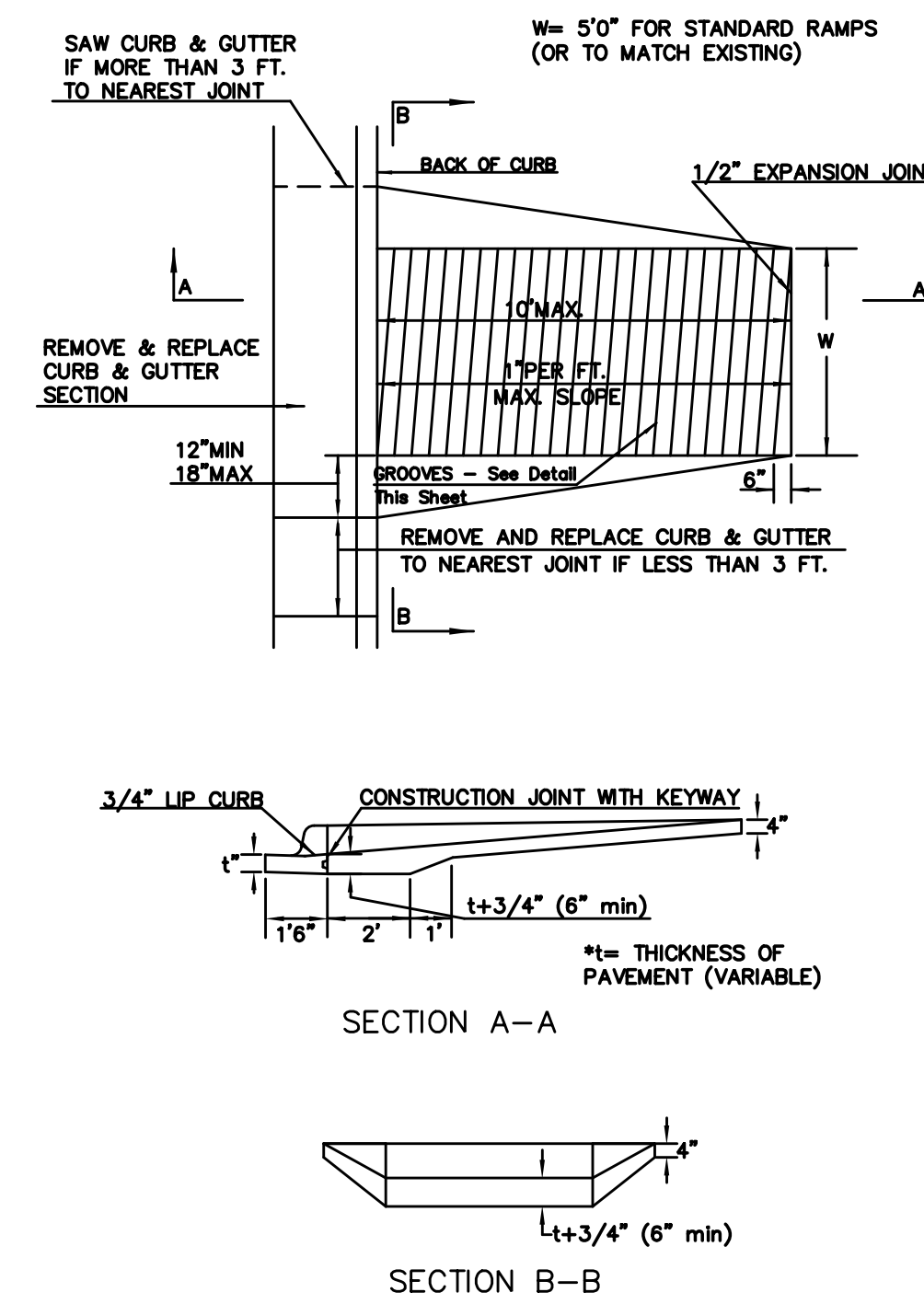
STANDARD WHEELCHAIR RAMP CONSTRUCTION DETAIL FOR STREETS WITH COMBINED CURB & GUTTER (CLASS A)



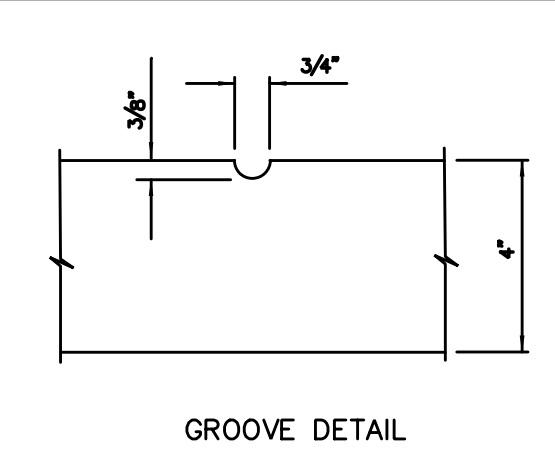
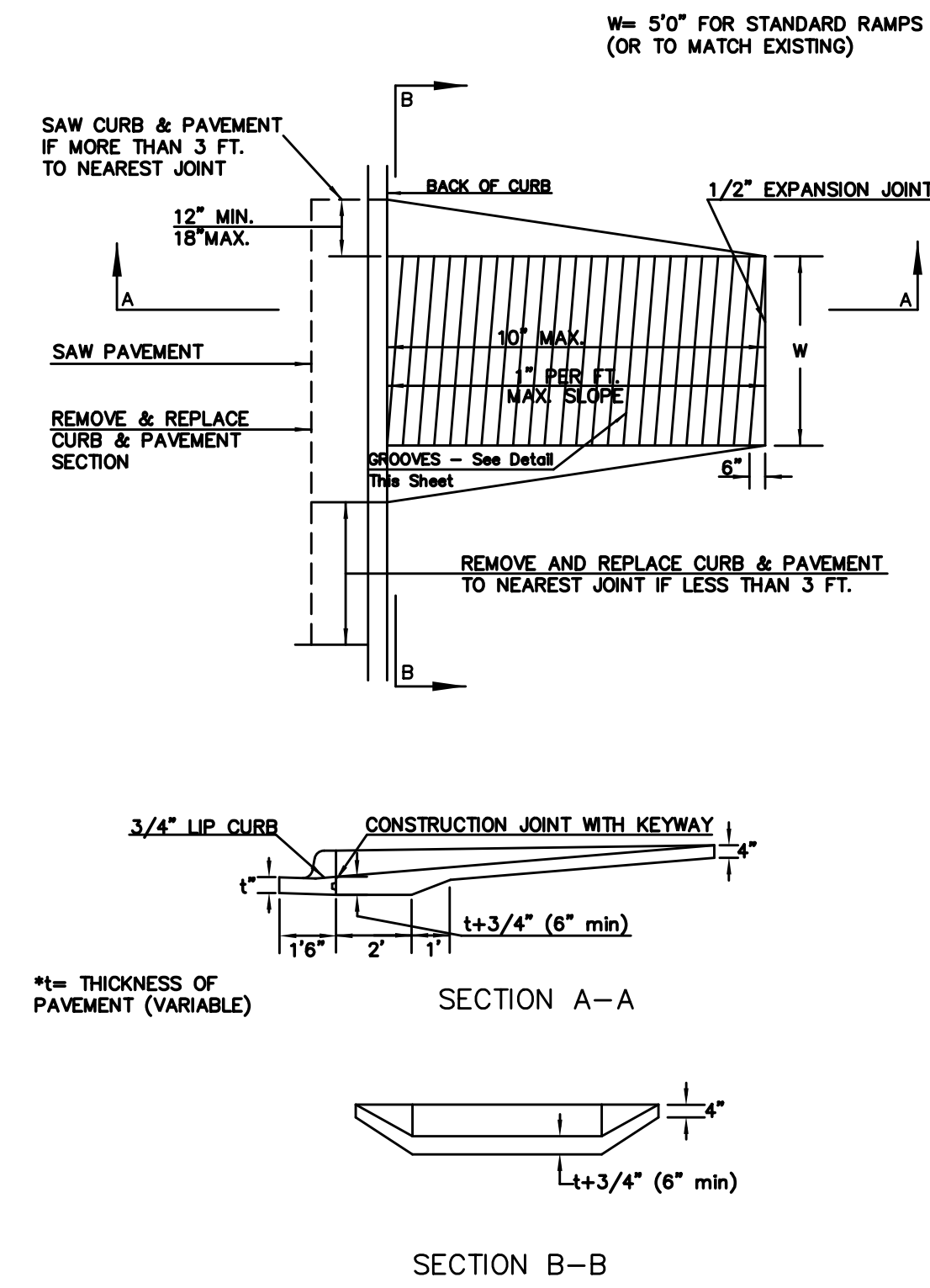
STANDARD WHEELCHAIR RAMP CONSTRUCTION DETAIL FOR CONCRETE STREETS WITH MONOLITHIC CURB (CLASS A)



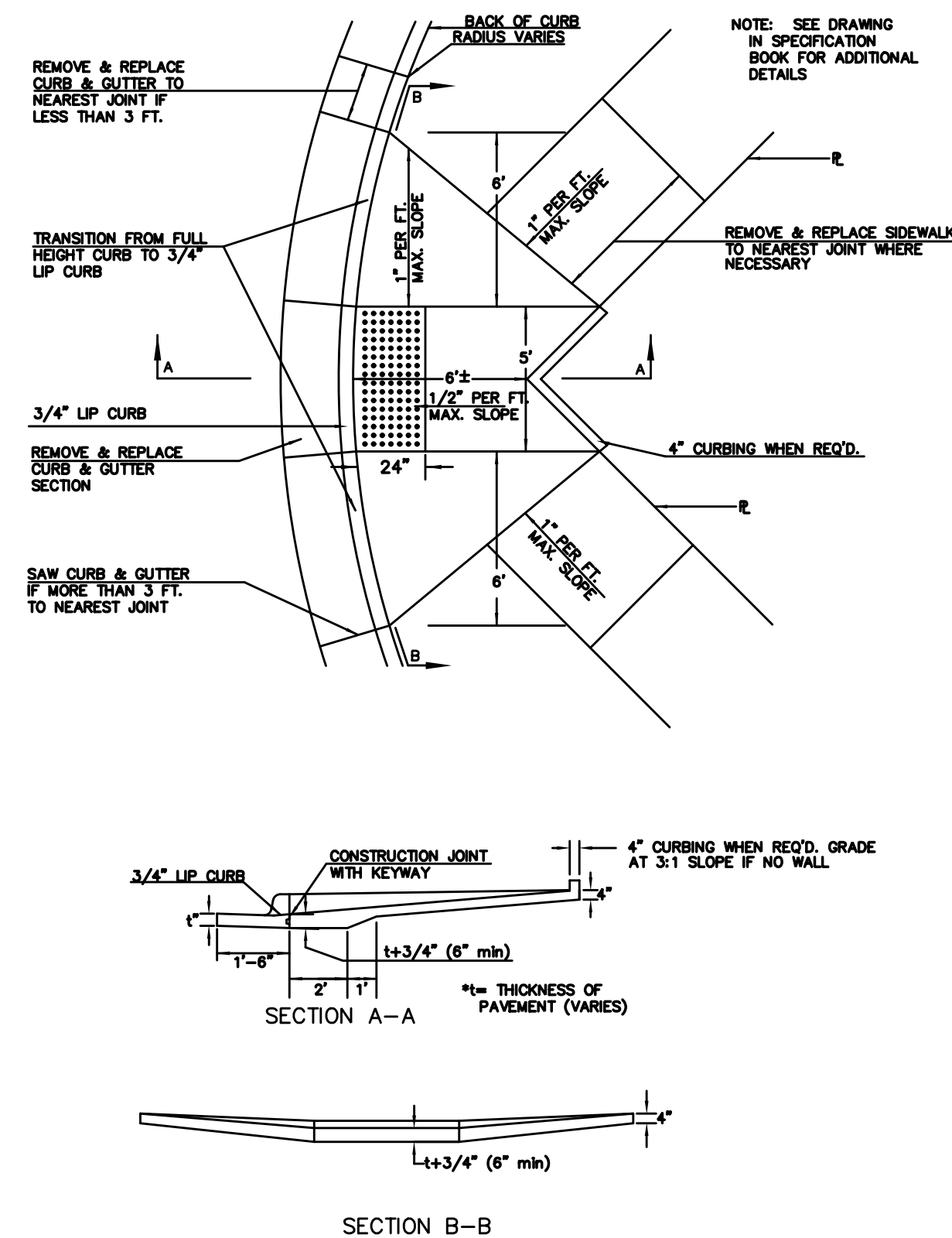
STANDARD WHEELCHAIR RAMP CONSTRUCTION DETAIL FOR ENTRANCES WITH COMBINED CURB & GUTTER (CLASS B)



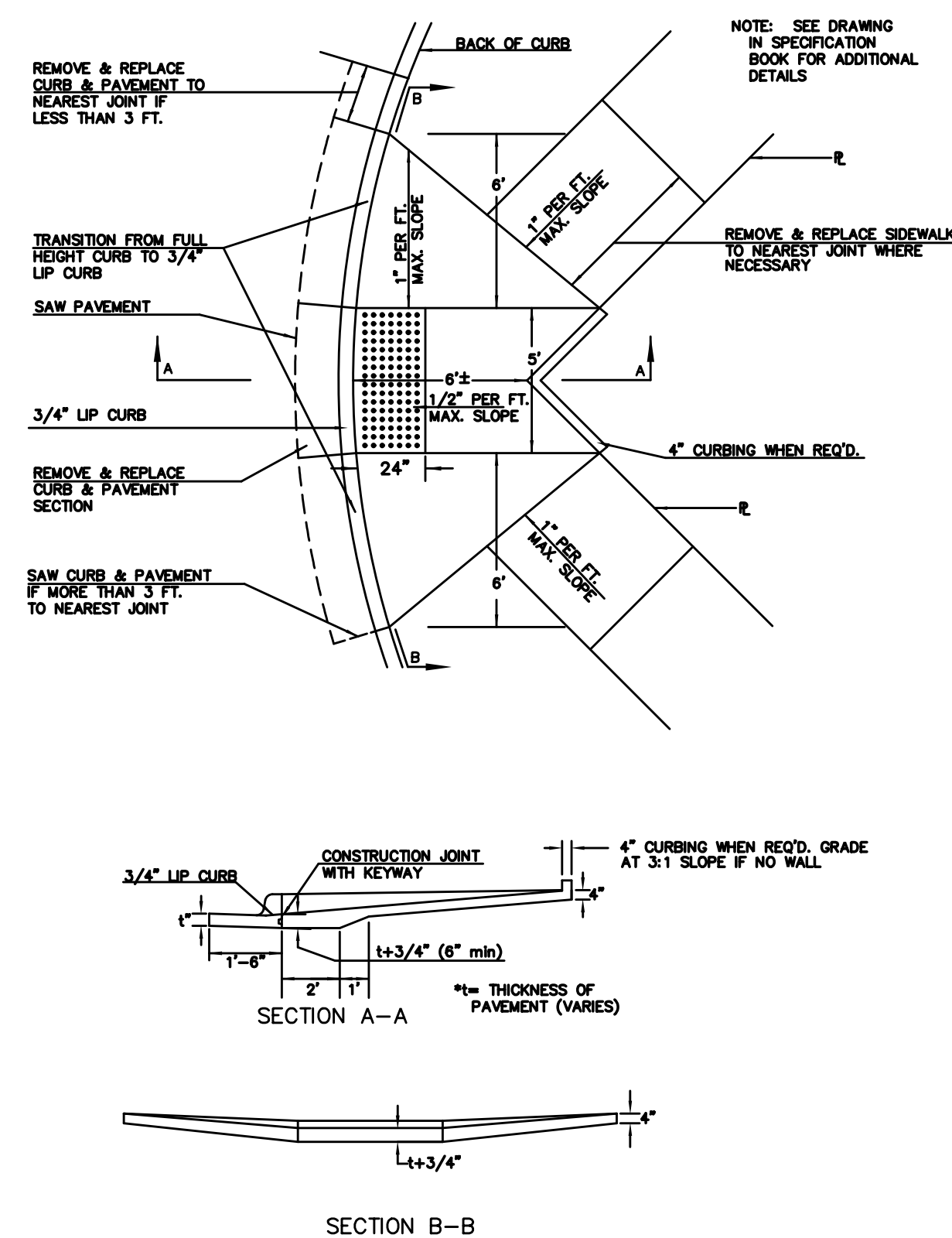
STANDARD WHEELCHAIR RAMP CONSTRUCTION DETAIL FOR ENTRANCES WITH MONOLITHIC CURB (CLASS B)



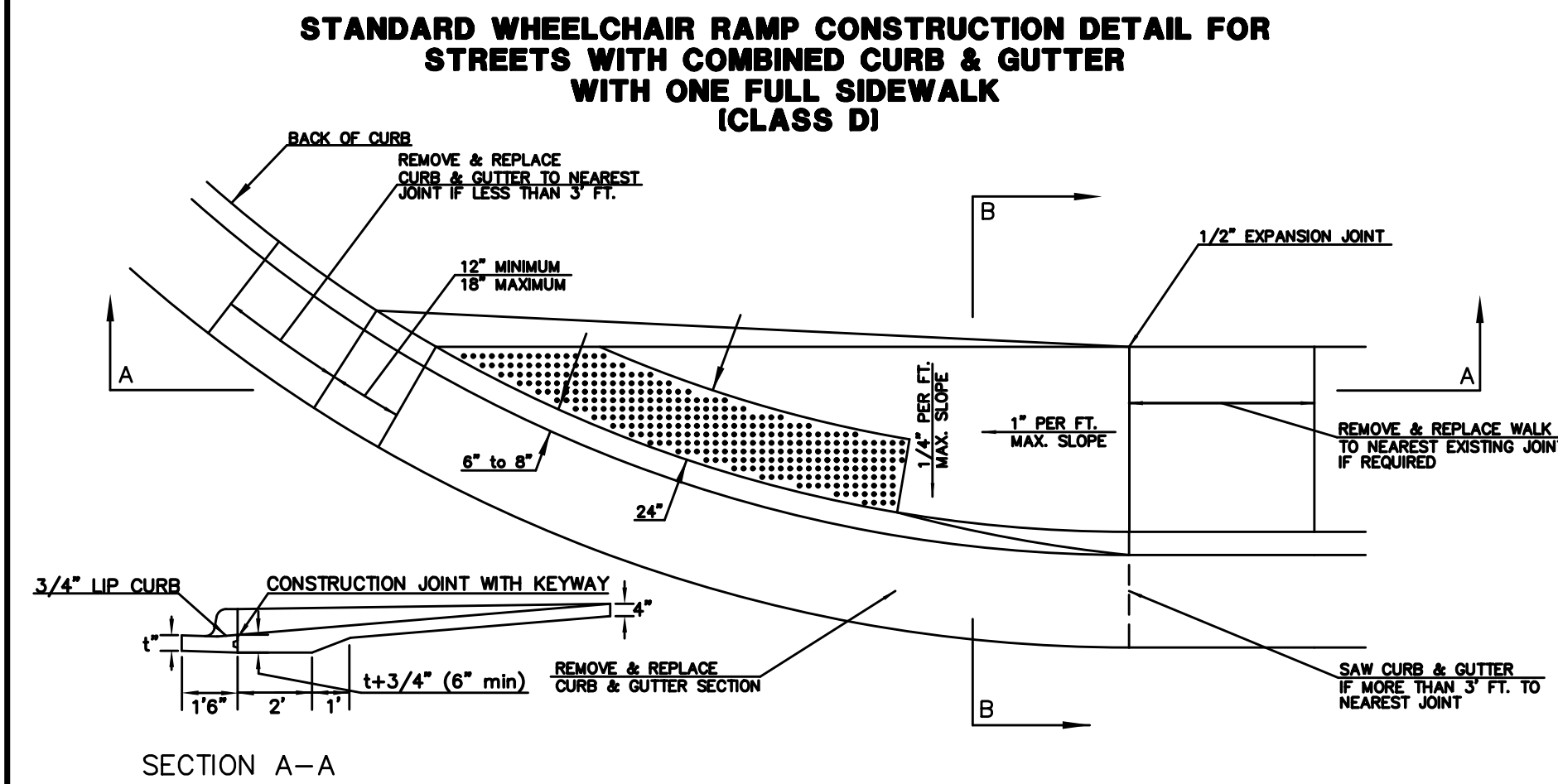
STANDARD WHEELCHAIR RAMP CONSTRUCTION DETAIL FOR STREET WITH COMBINED CURB AND GUTTER ON RADIUS WITH 6'± FROM BACK OF CURB TO PROPERTY CORNER (CLASS C)



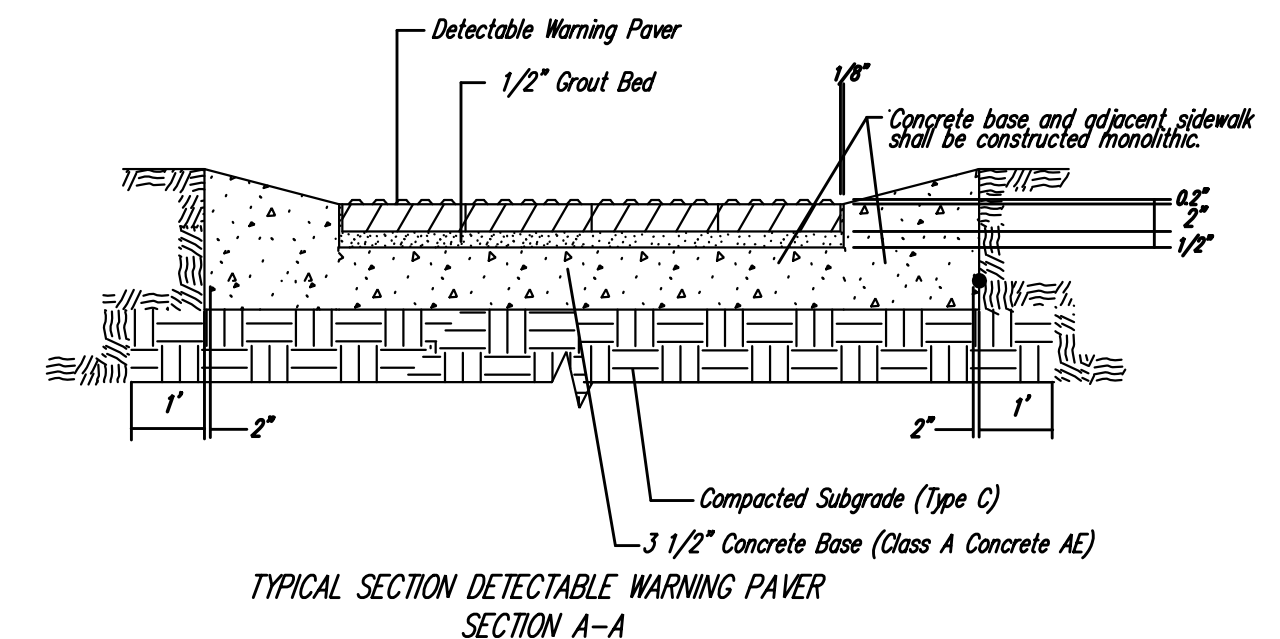
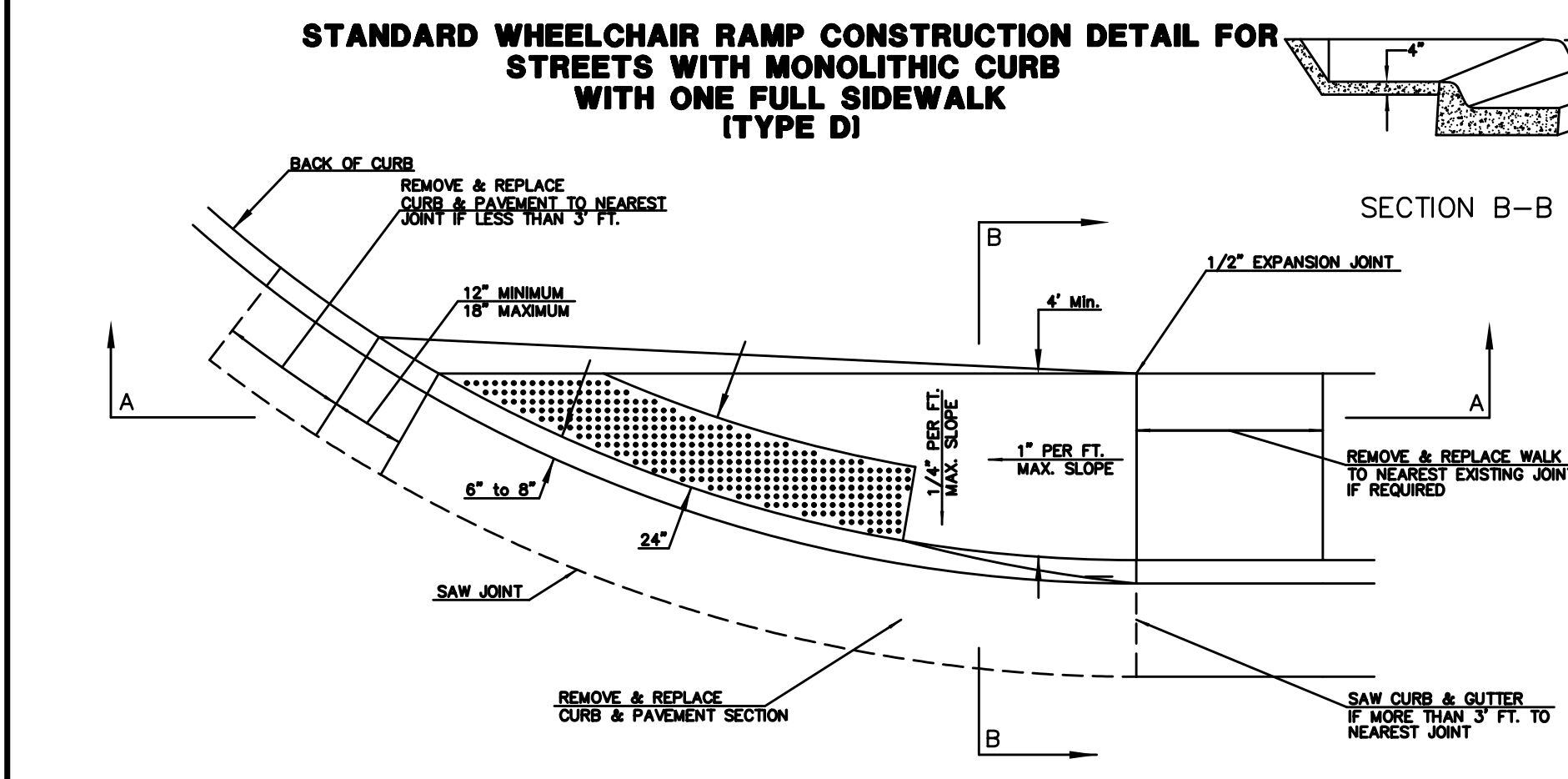
STANDARD WHEELCHAIR RAMP CONSTRUCTION DETAIL FOR STREET WITH MONOLITHIC CURB ON RADIUS WITH 6'± FROM BACK OF CURB TO PROPERTY CORNER (CLASS C)



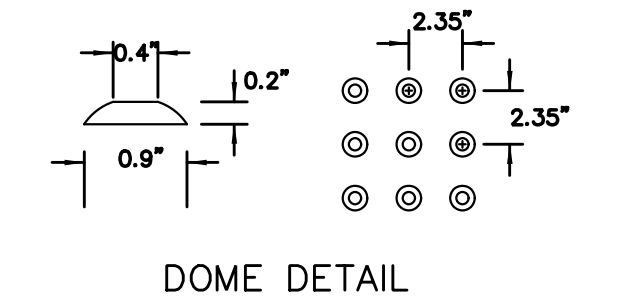
STANDARD WHEELCHAIR RAMP CONSTRUCTION DETAIL FOR STREETS WITH COMBINED CURB & GUTTER WITH ONE FULL SIDEWALK (CLASS D)



STANDARD WHEELCHAIR RAMP CONSTRUCTION DETAIL FOR STREETS WITH MONOLITHIC CURB WITH ONE FULL SIDEWALK (TYPE D)



NOTE: HANOVER DETECTABLE WARNING PAVERS (OR AN APPROVED ALTERNATE) SHALL BE USED IN ALL WHEELCHAIR RAMPS. THE 11 3/4" RED 15" PAVES SHALL BE USED IN ALL APPLICATIONS.
 HANOVER ARCHITECTURAL PRODUCTS
 240 BENDER ROAD
 HANOVER, PA 17331
 1-717-637-0500
 www.hanoverpavers.com



Plotted By: svb Date: 7/14/2011 9:48:10 AM
 FILE: I:\2010\10310\standards\10310-WCR-with Detectable Warning.dgn

	WHEELCHAIR RAMP DETAILS		
	CITY ENGINEER JAMES L. ARMOUR, P.E., L.S.		
	PROJECT NUMBER 472-84920	QCA NUMBER 707027	DATE 07/03
	CITY ENGINEER'S OFFICE CITY HALL - SEVENTH FLOOR 455 NORTH MAIN STREET WICHITA, KANSAS 67202-1620 (316) 268-4501 (316) 268-4114 FAX		DESIGN City
	SHEET R22OF101		DRAWN City

REV. 7-21-03