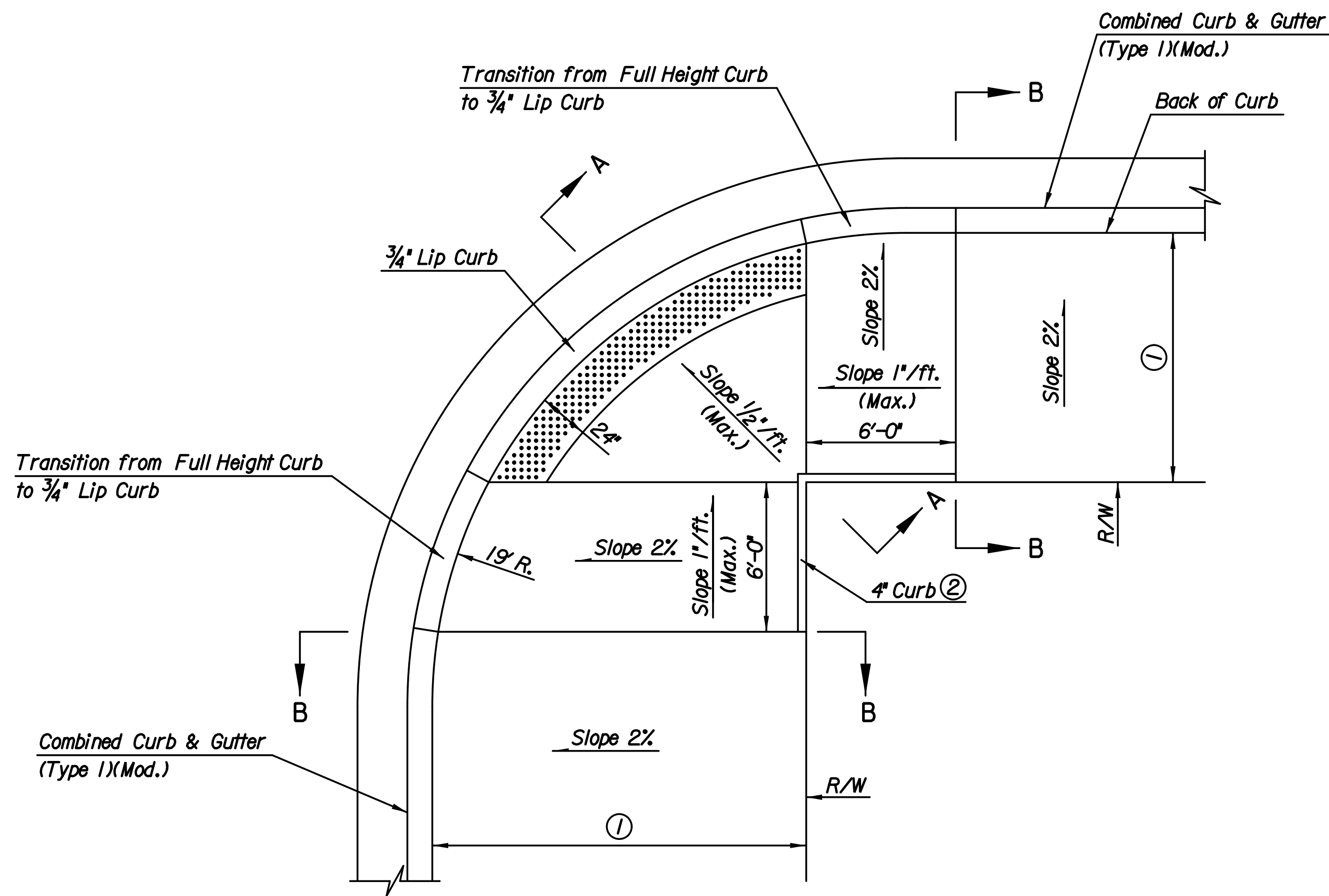
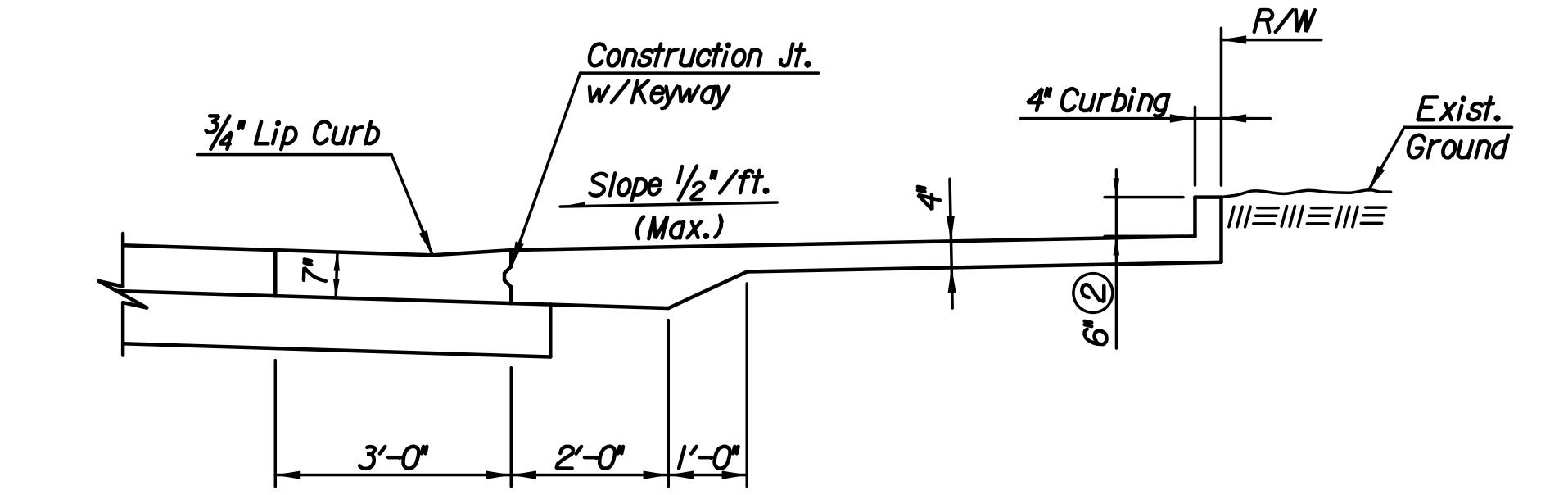
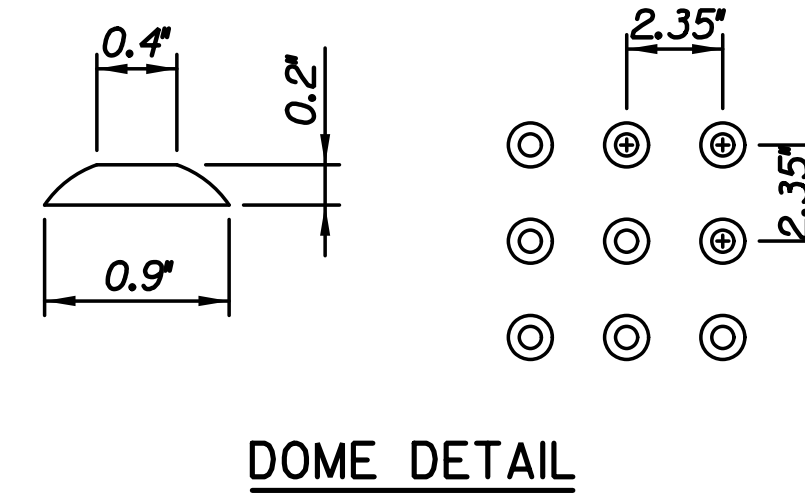


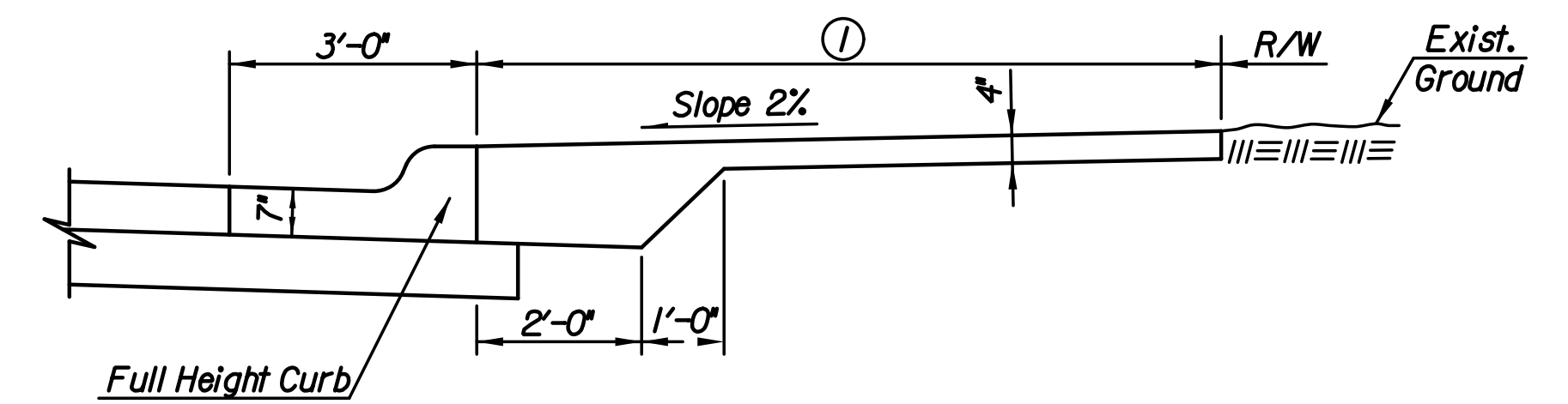
TYPICAL WHEELCHAIR RAMP
 St. Francis & 1st St.
 St. Francis & 2nd St. (SE & NE Corners)



TYPICAL WHEELCHAIR RAMP
 St. Francis & 2nd St. (SW & NW Corners)



SECTION A-A



SECTION B-B

- ① Sidewalk Widths Vary.
See Plan Sheets for Variations.
- ② Transition 4" curbing from no height to 6" height at R/W corner. Curbing shall be Subsidiary to the bid item "Wheelchair Ramp".

See Sh. No. R22 for Additional Notes & Details.

Plotted By: svb Date: 7/14/2011 10:29:52 AM
 FILE: I:\2010\10310\standards\10310-WCramp.dgn

No.	Revision	By	Date
ST. FRANCIS STREET			
WHEELCHAIR RAMP DETAILS			
JAMES L. ARMOUR, P.E. - CITY ENGINEER CITY OF WICHITA PROJECT NO. 472-84920			
Professional Engineering Consultants, P.A. 303 S. TOPEKA - WICHITA, KANSAS 67202 316-262-2691 • FAX 316-262-3003			
Designed by	JPS	Job No.	10310
Drawn by	SVB	Date	July, 2011
			Sht. R23 of 101