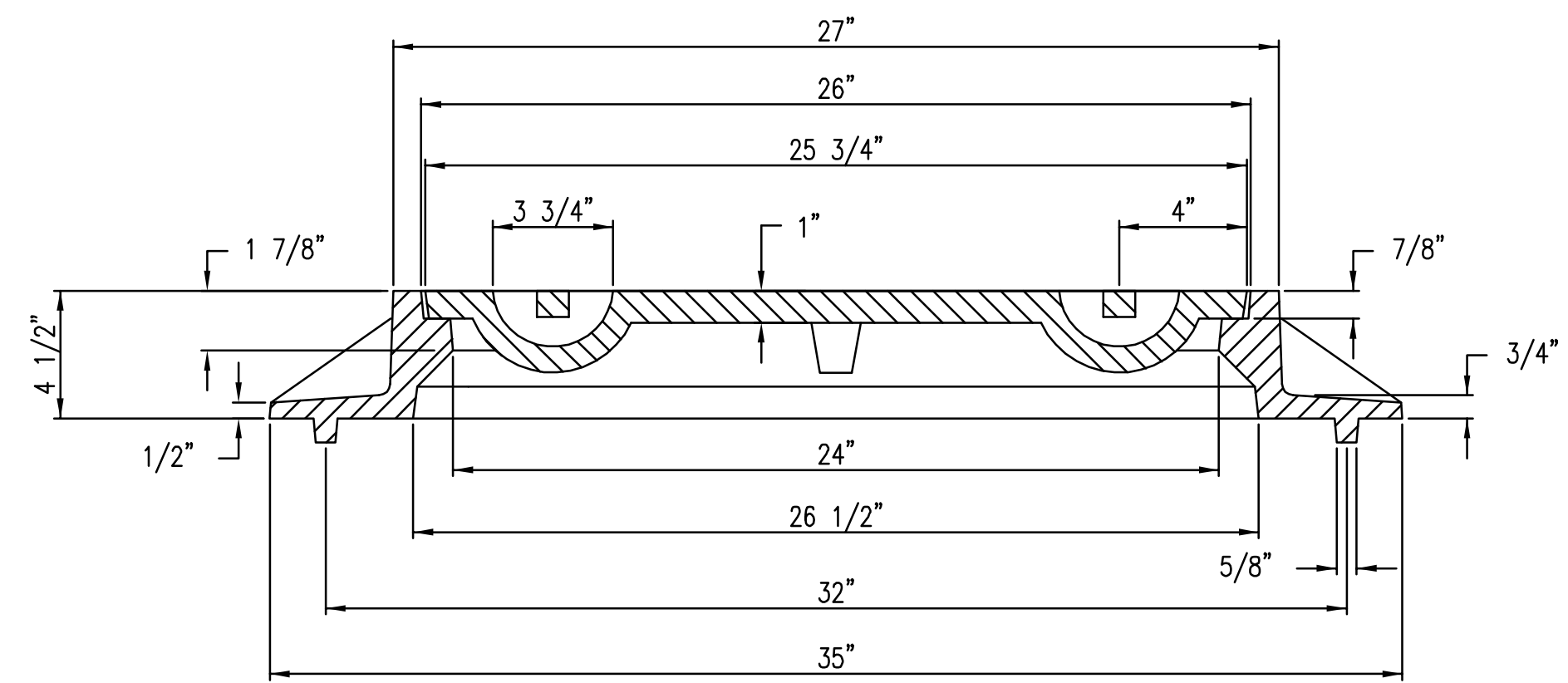
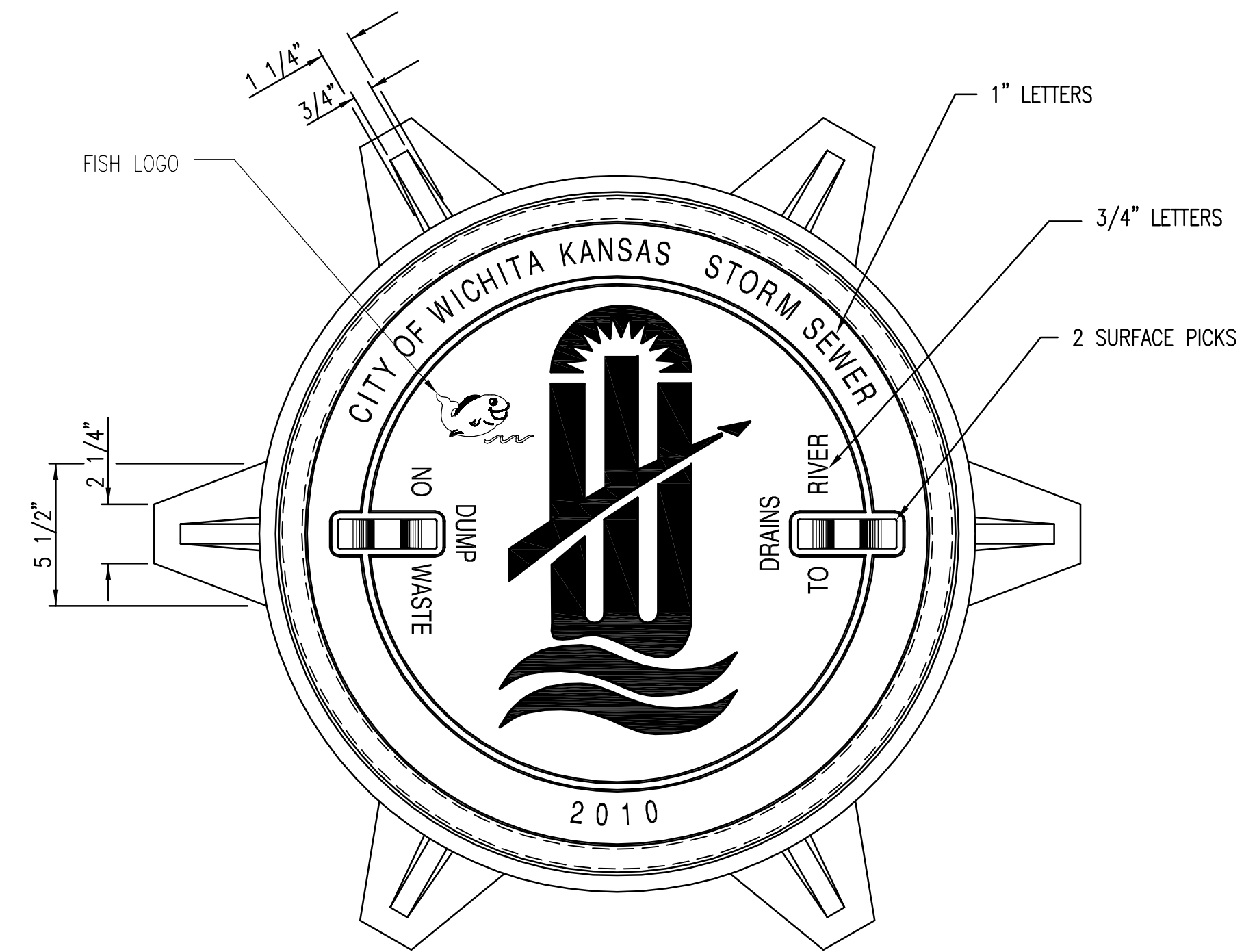


MANHOLE FRAME
DEETER #1261 OR EJIW #1936-Z1

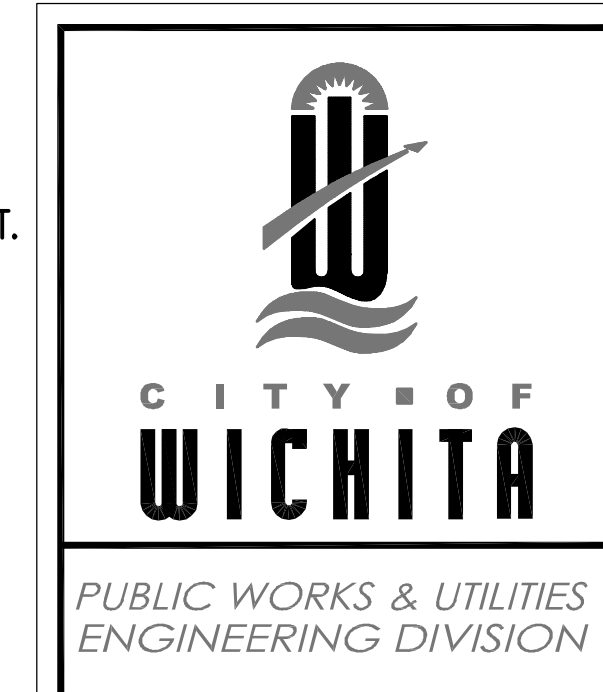
- NOTE:
1. FURNISHED WITH MACHINED HORIZONTAL BEARING SURFACE.
 2. COVER TO BE DEETER #1261 OR EJIW #1936A.



INLET FRAME
DEETER #2014 OR EJIW #1936-Z4

- NOTE:
1. FURNISHED WITH MACHINED HORIZONTAL BEARING SURFACES.
 2. NOT TO BE USED UNDER PAVEMENT.
 3. COVER TO BE DEETER #1261 OR EJIW #1936A.

Sheet 07-14-2011 3:51:58 PM by TDS
 Plot Scale 1:5 07-14-2011 3:52:35 PM by TED.D. SCRIEIER
 I:\2010\0330\Standards\0310-SW-303-MH-Inlet Frame & Cover



MANHOLE/INLET FRAME AND COVER (STORM SEWER)		
CITY ENGINEER JAMES L. ARMOUR, P.E., L.S.		
PROJECT NUMBER 472-84920	OCA NUMBER 707027	DATE 11/2010
CITY ENGINEER'S OFFICE CITY HALL - SEVENTH FLOOR 455 NORTH MAIN STREET WICHITA, KANSAS 67202-1620 (316) 268-4501		DESIGN DRAWN SHEET R30 of 101