

**GENERAL NOTES:**

1. CONTRACTOR SHALL PROVIDE A MINIMUM FORTY-EIGHT (48) HOURS ADVANCE NOTICE (EXCLUDING WEEKENDS AND HOLIDAYS) PRIOR TO BEGINNING ANY EXCAVATION, TO KANSAS ONE-CALL SYSTEM, A UTILITY LOCATION SERVICE, AT (316) 687-2470 TO REQUEST THE FOLLOWING UTILITY COMPANIES TO LOCATE ALL EXISTING LINES WITHIN THE PROJECT AREA: K.G.S. GAS, AQUILA, WESTAR, SBC, COX COMMUNICATIONS, CITY OF WICHITA SEWER MAINTENANCE AND CITY OF WICHITA WATER DEPARTMENT.

2. CONTRACTOR SHALL SATISFY HIMSELF OF SURFACE AND SUBSURFACE CONDITIONS PRIOR TO BIDDING.

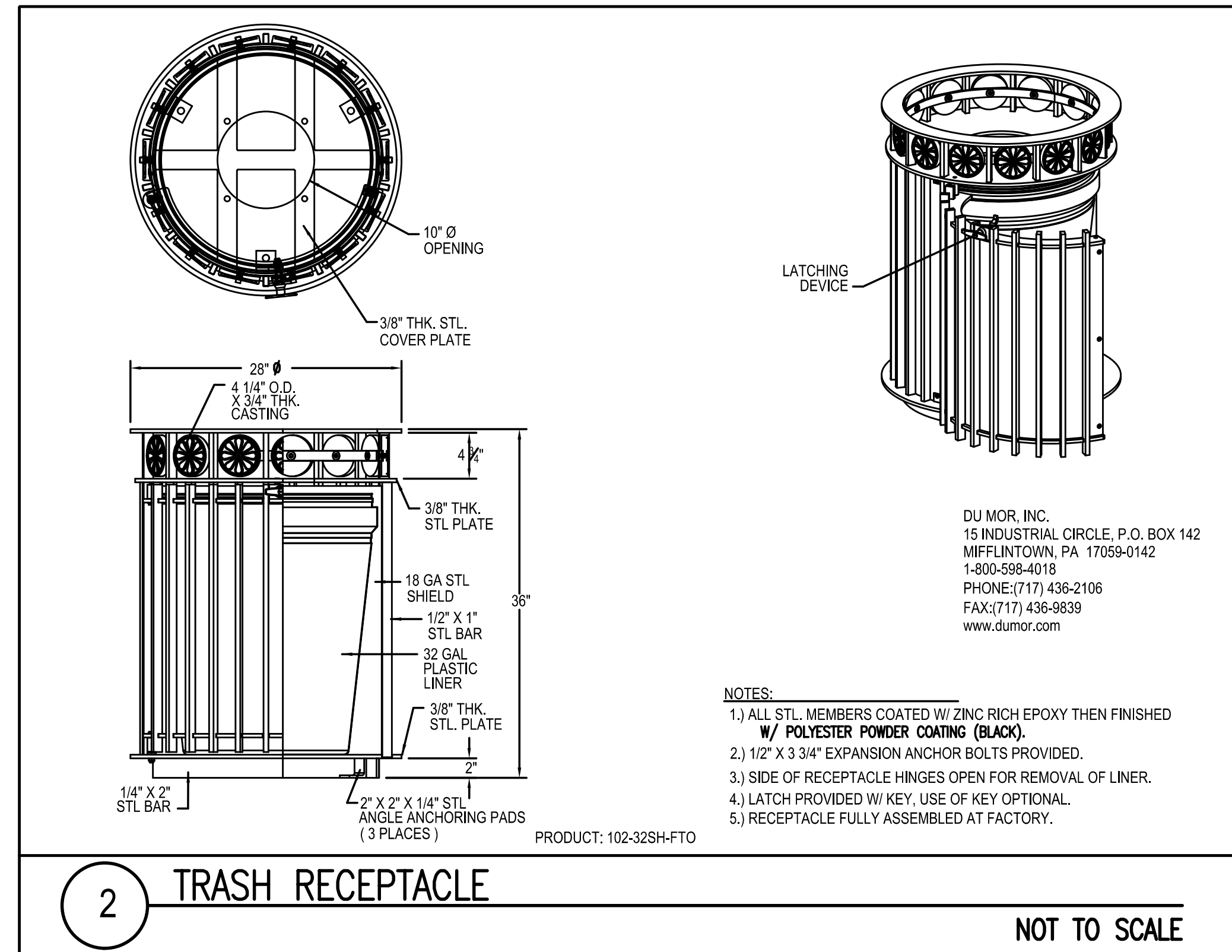
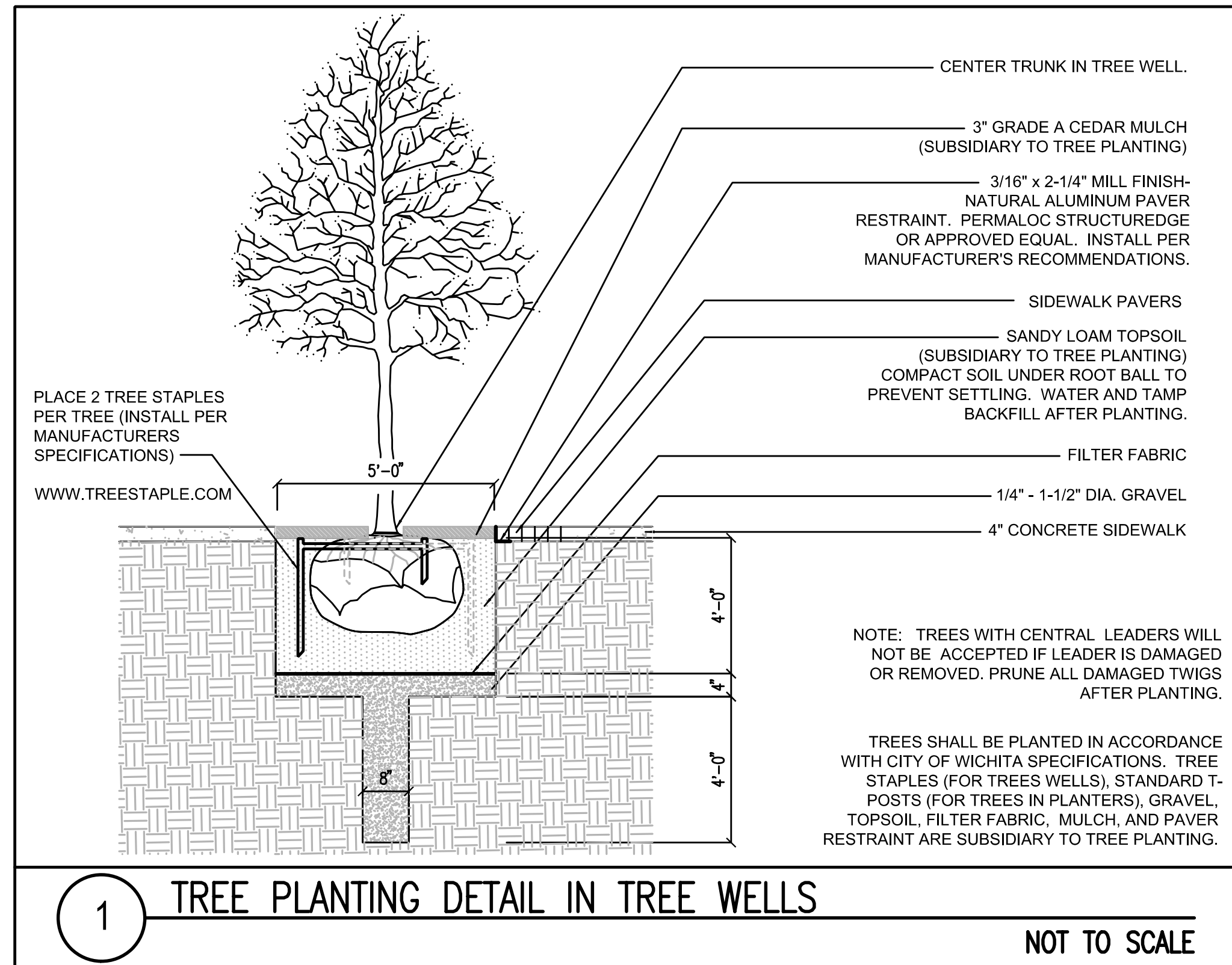
3. THE CONTRACTOR SHALL BE RESPONSIBLE FOR PRESERVING PROPERTY IRONS. THE CONTRACTOR WILL BE REQUIRED TO RE-ESTABLISH ANY PROPERTY IRONS WHICH ARE DAMAGED OR DESTROYED BY HIS CONSTRUCTION OPERATIONS. THE COST OF REESTABLISHING IRONS SHALL BE BORNE BY THE CONTRACTOR AND SHALL BE DONE BY A LICENSED LAND SURVEYOR IN ACCORDANCE WITH STATE LAWS.

4. THE CONTRACTOR WILL BE REQUIRED TO WORK AROUND IMPROVEMENTS CONSTRUCTED UNDER OTHER PROJECTS AND SHALL BE RESPONSIBLE FOR REPAIR OF DAMAGE TO IMPROVEMENTS IN PLACE. COSTS FOR COORDINATION AND REPAIRS TO IMPROVEMENTS IN PLACE, IF REQUIRED, SHALL BE BORNE BY THE CONTRACTOR.

5. ALL PLANT MATERIAL SHALL BE HIGH-QUALITY NURSERY GROWN STOCK WHICH MEETS THE "AMERICAN ASSOCIATION OF NURSERYMEN" STANDARDS AS SPECIFIED BY THE "AMERICAN NATIONAL STANDARDS INSTITUTE" IN ANSI Z60.1-1986 OR AS MAY BE AMENDED IN THE FUTURE.

6. ALL PLANT MATERIAL AND TURF SHALL BE INSTALLED IN ACCORDANCE WITH THE CITY OF WICHITA SPECIFICATIONS.

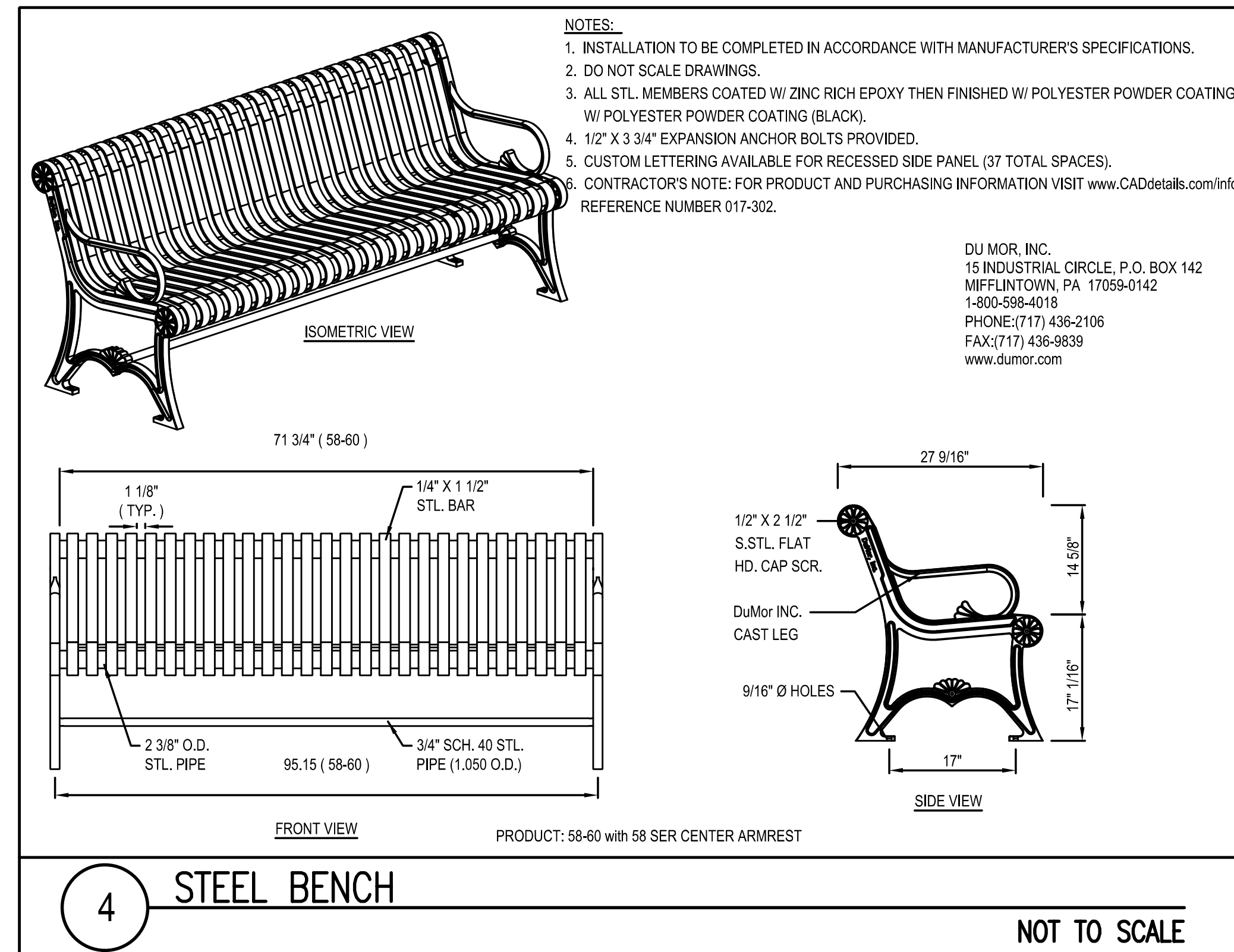
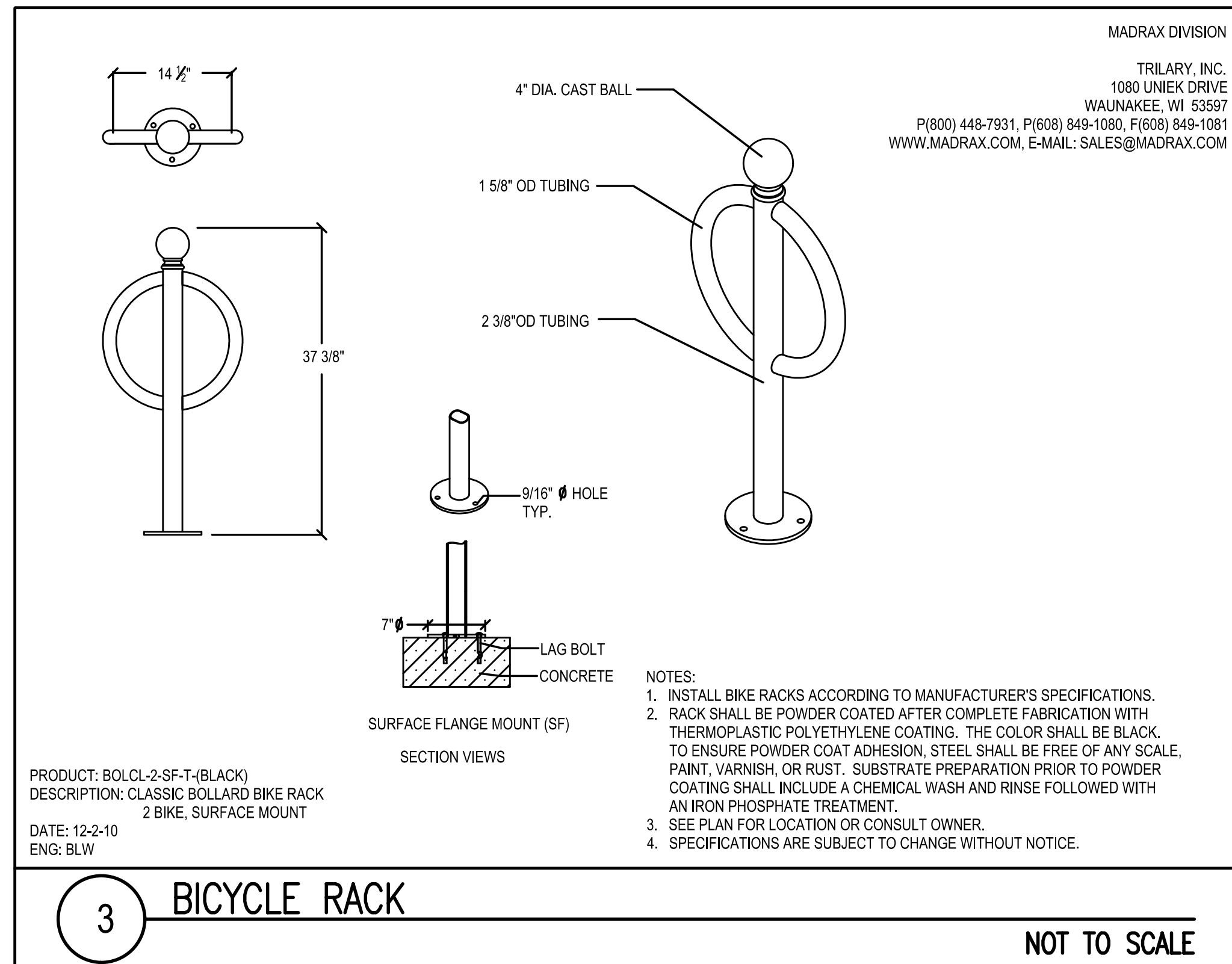
7. TRASH RECEPTACLES: CONTRACTOR SHALL SALVAGE EXISTING TRASH RECEPTACLES IN THE PROJECT AREA TO BE RESET. ALL TRASH RECEPTACLES (SALVAGED AND NEW) SHALL BE LOCATED IN THE FIELD AND APPROVED BY THE ENGINEER PRIOR TO INSTALLATION.



LANDSCAPE QUANTITIES (FOR INFORMATION ONLY)					
KEY	QUANTITY	COMMON NAME	BOTANICAL NAME	SIZE	CONDITION
CHP	10	CHINESE PISTACHE	<i>Pistacia Chinensis</i>	2' - 2 1/2" CAL.	B & B
LE	24	LACEBARK ELM 'Allee'	<i>Ulmus Parvifolia 'Allee'</i>	2' - 2 1/2" CAL.	B & B
JZ	28	JAPANESE ZELKOVA 'Green Vase'	<i>Zelkova Serrata</i>	2' - 2 1/2" CAL.	B & B

ITEM	QUANTITY	UNITS	NOTES
TRASH RECEPTACLE	25	EA.	CONTACT ENGINEER FOR LOCATION.
BICYCLE RACK	38	EA.	CONTACT ENGINEER FOR LOCATION.
STEEL BENCH	49	EA.	CONTACT ENGINEER FOR LOCATION. BENCHES ARE TO BE BOLTED TO SIDEWALK.
BERMUDA SOD	⊕130	SY	TO BE INSTALLED FROM BACK OF CURB TO LIMITS OF CONSTRUCTION AT LOCATIONS SHOWN ON PLANS.

⊕ QUANTITY SHOWN FOR INFORMATION ONLY. THE CONTRACTOR WILL BE REQUIRED TO SOD ALL NON-PAVED AREAS DISTURBED BY CONSTRUCTION.



Plotted By: svb Date: 7/14/2011 3:48:34 PM  
 FILE: I:\2010\10310\10310-Landscape\0310-Landscape Details.dgn

No.	Revision	By	Date
ST. FRANCIS STREET <b>LANDSCAPE QUANTITIES AND DETAILS</b> JAMES L. ARMOUR, P.E.—CITY ENGINEER CITY OF WICHITA PROJECT NO. 472-84920 <b>Professional Engineering Consultants, P.A.</b> 303 S. TOPEKA • WICHITA, KANSAS 67202 316-262-2691 • FAX 316-262-3003			
Designed by	JPS	Job No.	10310
Drawn by	SVB	Date	July, 2011
			Sh. R40 of 101