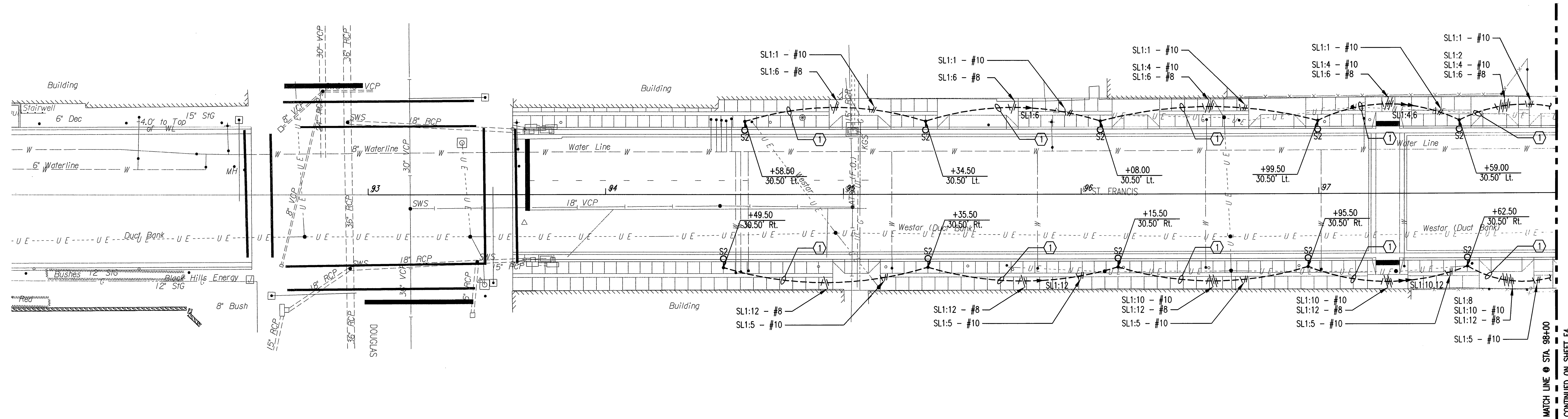


PLAN NOTES:

1. FIELD VERIFY EXISTING CONDITIONS AND DIMENSIONS.
2. COORDINATE CONDUIT ROUTING WITH EXISTING UTILITIES AND CONDITIONS.

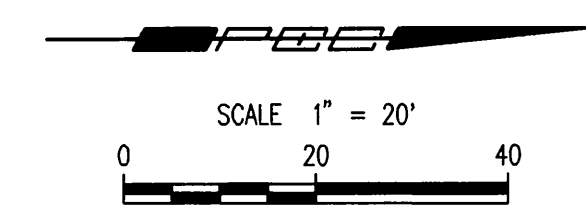
KEYED NOTES:

- ① (1) 2" RGS CONDUIT FOR STREET LIGHTING CIRCUITING AND POLE MOUNTED RECEPTACLE CIRCUITING.



A ELECTRICAL STREET PLAN STA. 92+00 TO 98+00

Saved: 07-08-2011 3:43:14 PM by ADM
 Plot Scale: 1/20 07-14-2011 9:28:13 AM by ADM
 E:\2010\10310\10310-E3



No.	Revision	By	Date
ST. FRANCIS STREET ELECTRICAL STREET PLAN STA. 92+00 TO STA. 98+00 JAMES L. ARMOUR, P.E. - CITY ENGINEER CITY OF WICHITA PROJECT NO. 472-84920			
Designed by	SMS	Job No.	10310
Drawn by	ADM	Date	JULY 2011
			Sht. E3 of 7