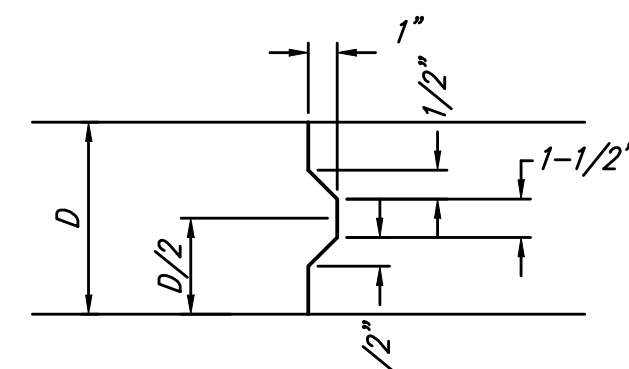
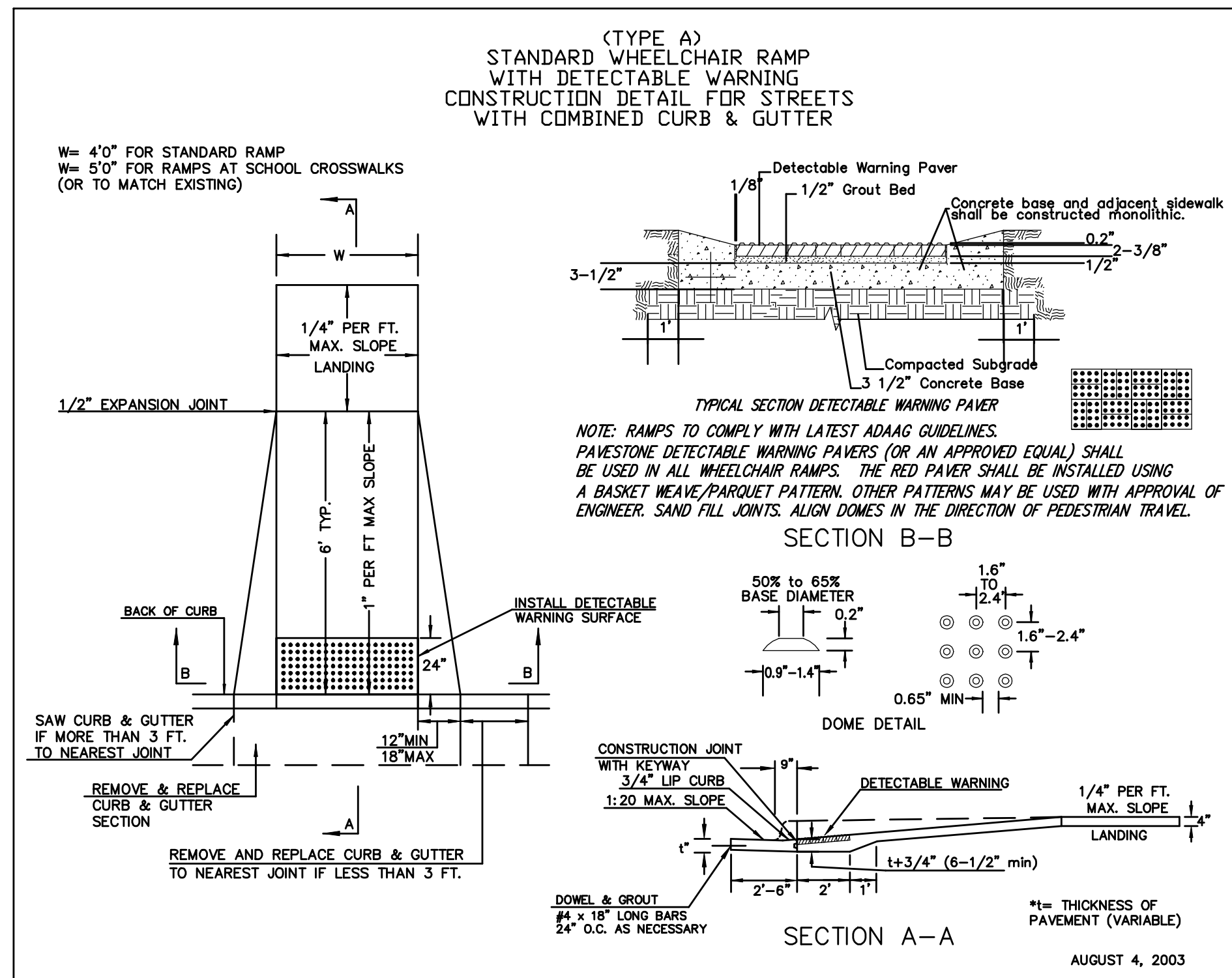


**EXPANSION JOINT**

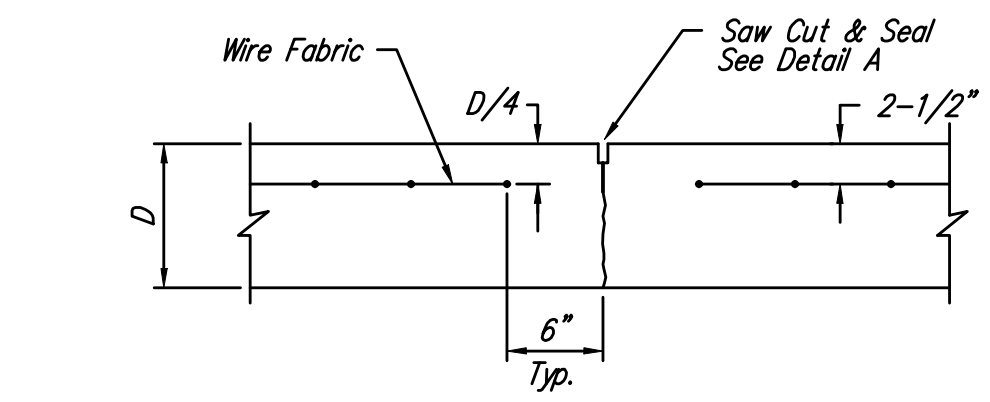
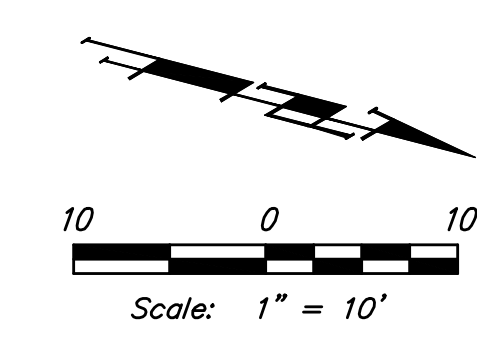
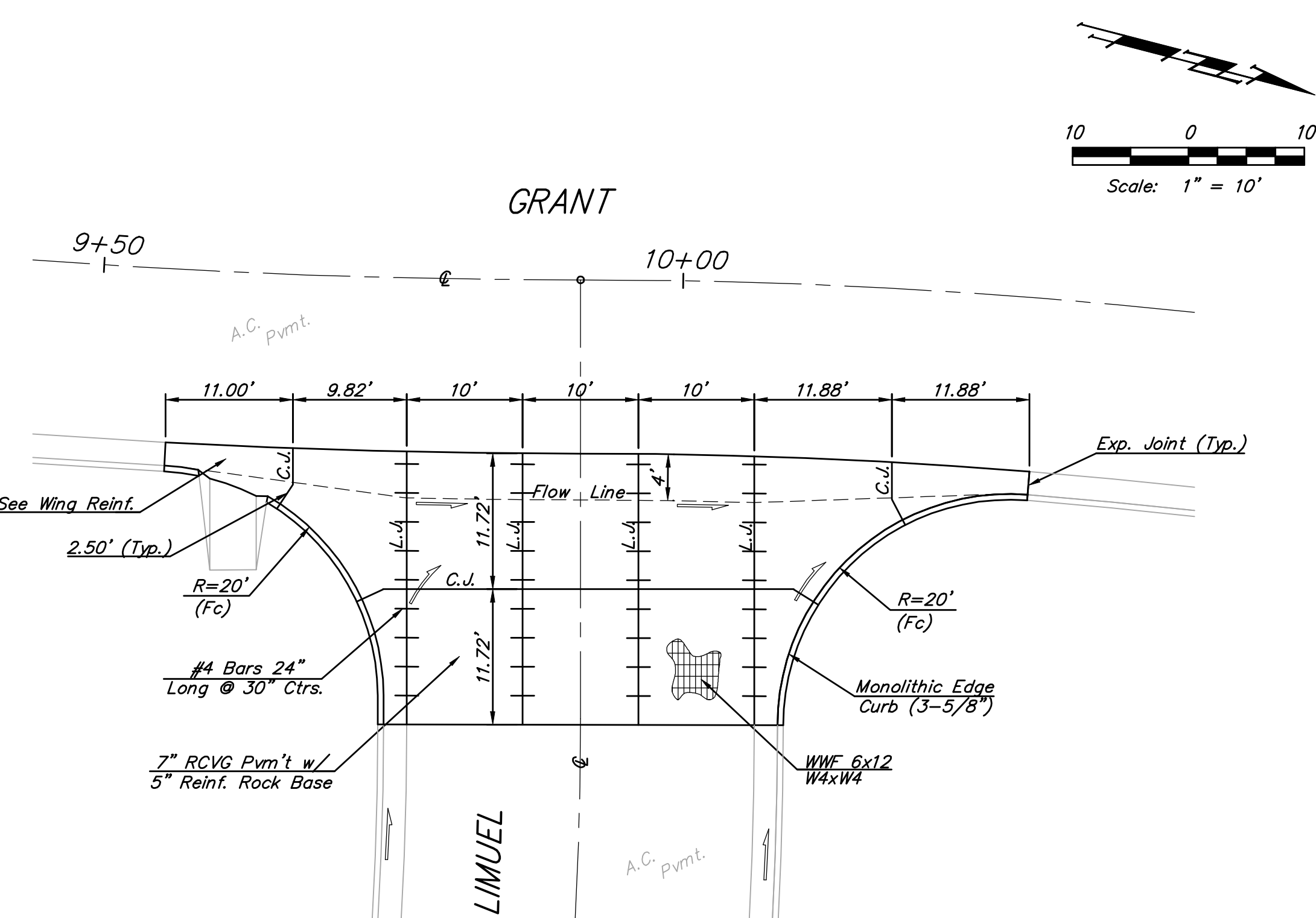
NOTE: Extra Thickness to be Subsidiary to Price of Square Yards Pavement



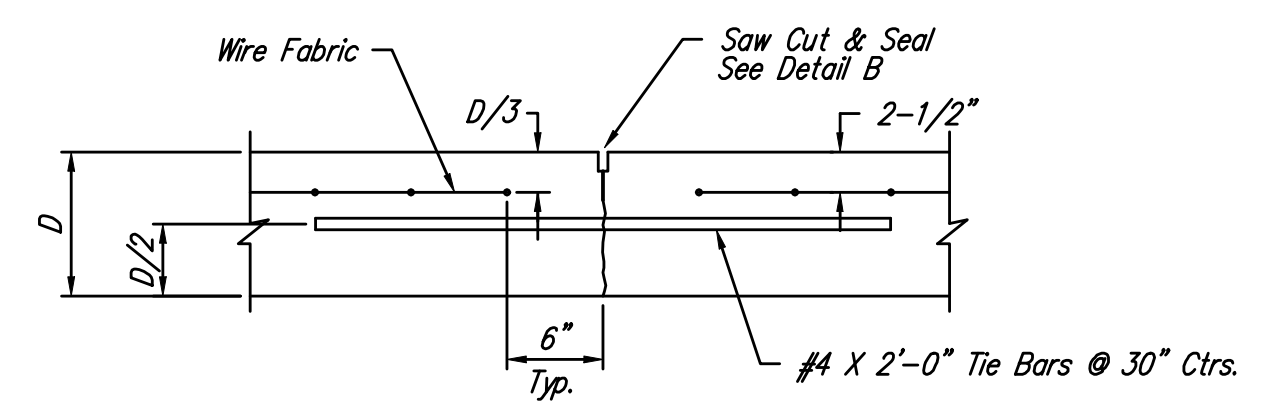
**KEYWAY DETAIL**



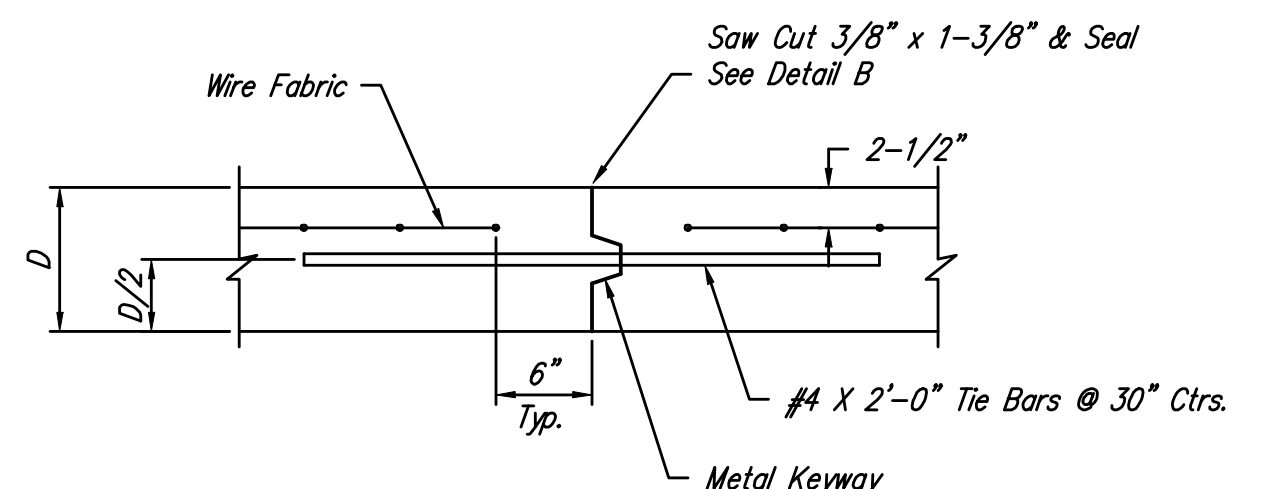
**WHEELCHAIR RAMP DETAIL**



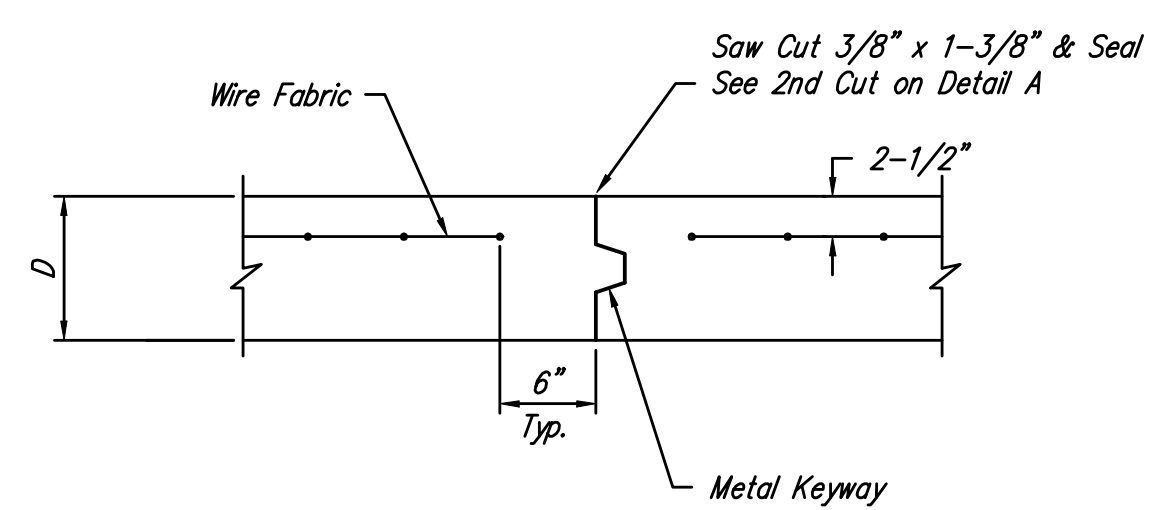
**CONTRACTION JOINT DETAIL (C.J.)**



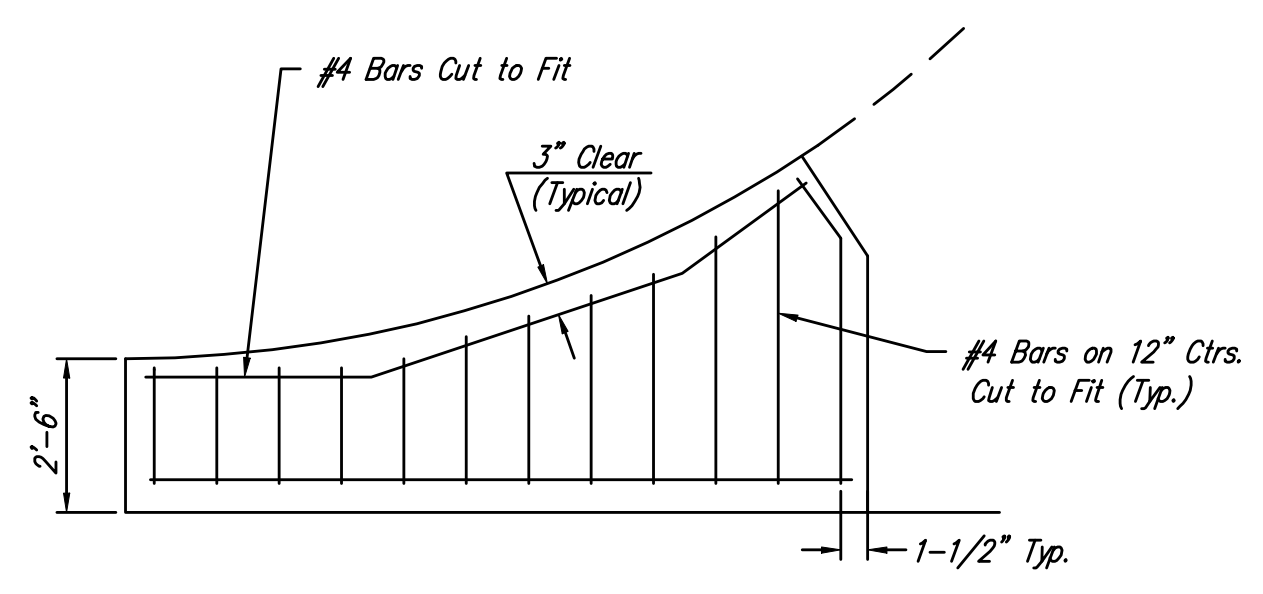
**LONGITUDINAL JOINT DETAIL (L.J.)**



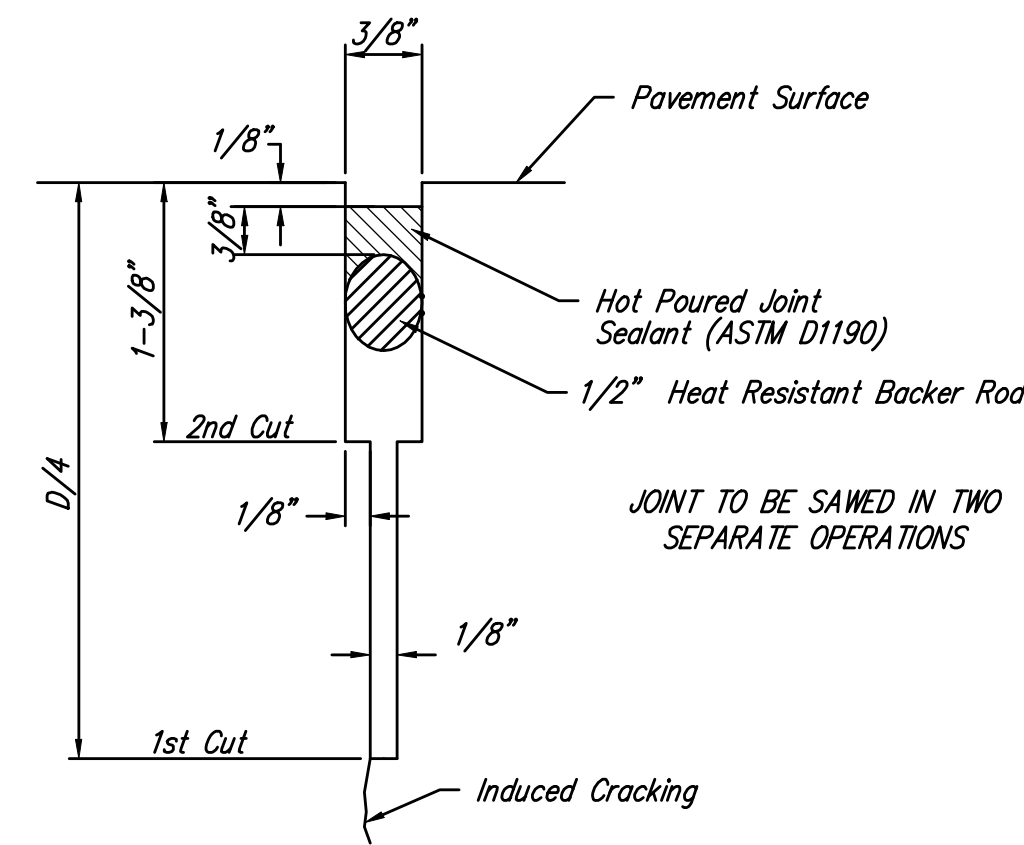
**OPTIONAL LONGITUDINAL JOINT DETAIL (L.J.) (CONSTRUCTION JOINT)**



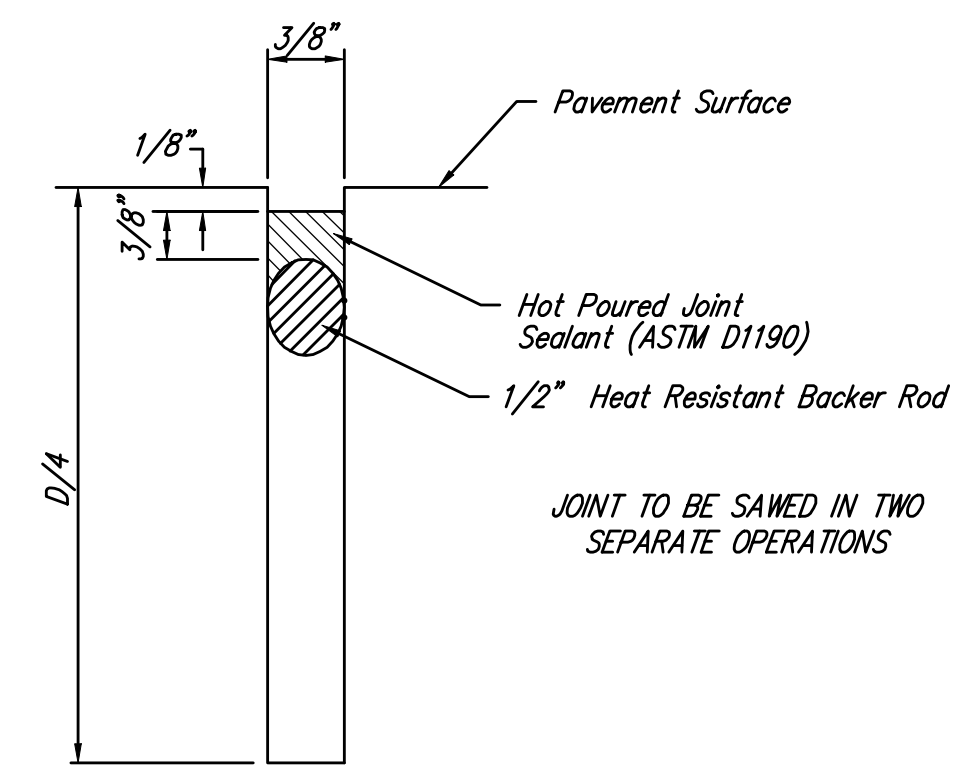
**OPTIONAL CONTRACTION JOINT (CONSTRUCTION JOINT)**



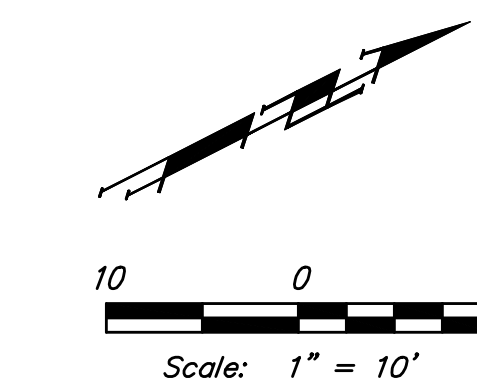
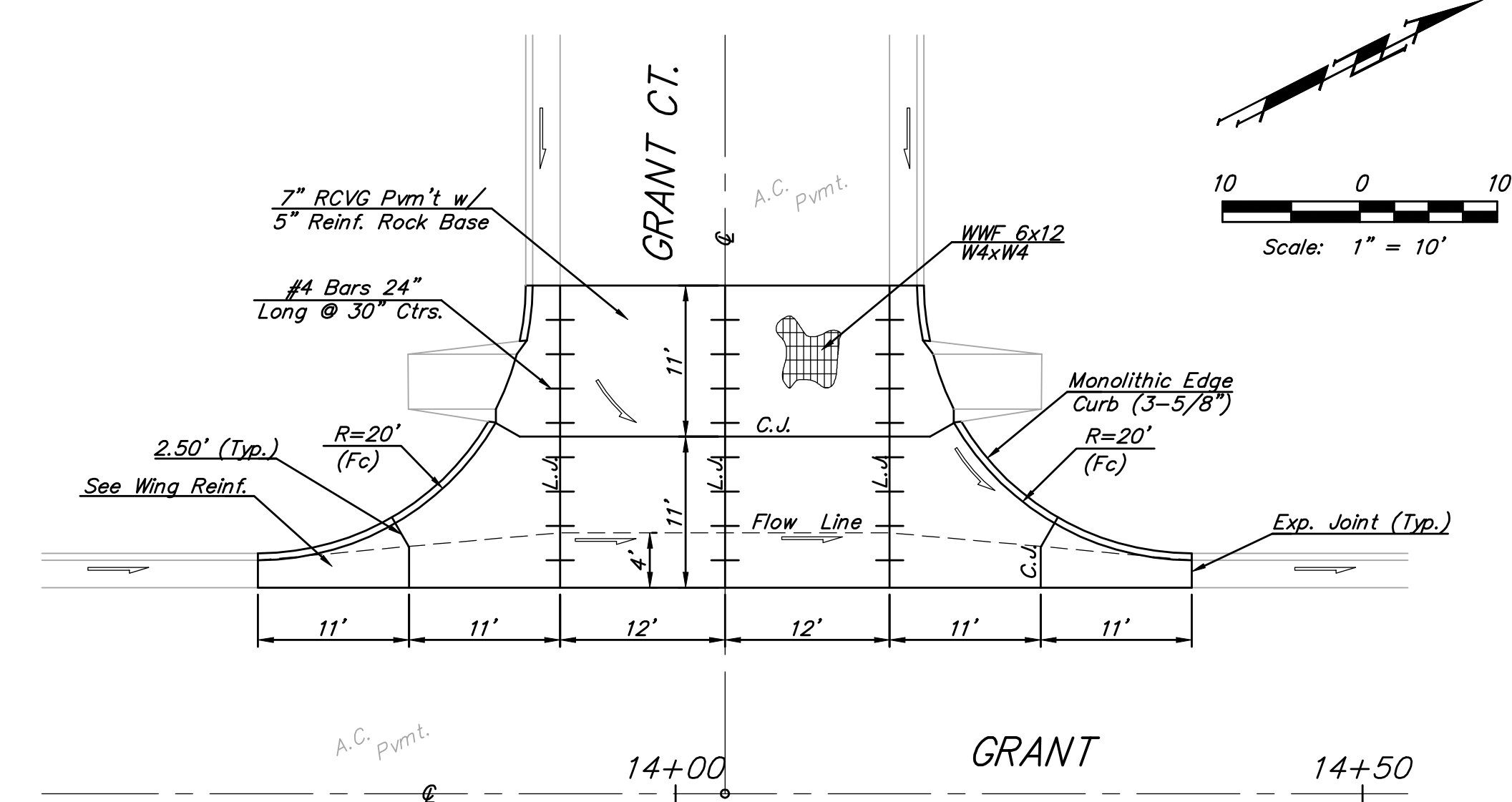
**WING REINFORCING DETAIL**



**SAW JOINT DETAIL "A"**



**SAW JOINT DETAIL "B"**



**VALLEY GUTTER DETAILS**

6" x 12" W4 x W4 wire fabric reinforcing shall be placed such that the wires with the 6" spacing will run parallel with the longitudinal joints.

		Turkey Creek 3rd Addition - Phase II <b>VALLEY GUTTER &amp; MISCELLANEOUS DETAILS</b> City of Wichita, Kansas	
Baughman Company, P.A. 315 Ellis St. Wichita, KS 67211 P 316262-7771 F 316262-0149 ENGINEERING   SURVEYING   PLANNING   LANDSCAPE ARCHITECTURE			
PROJECT NUMBER 472-84487	DESIGN JAK	DRAWN JAK	DATE 7/26/11
REVISIONS:	APPROVED	SCALE NONE	SHEET 5 OF 42