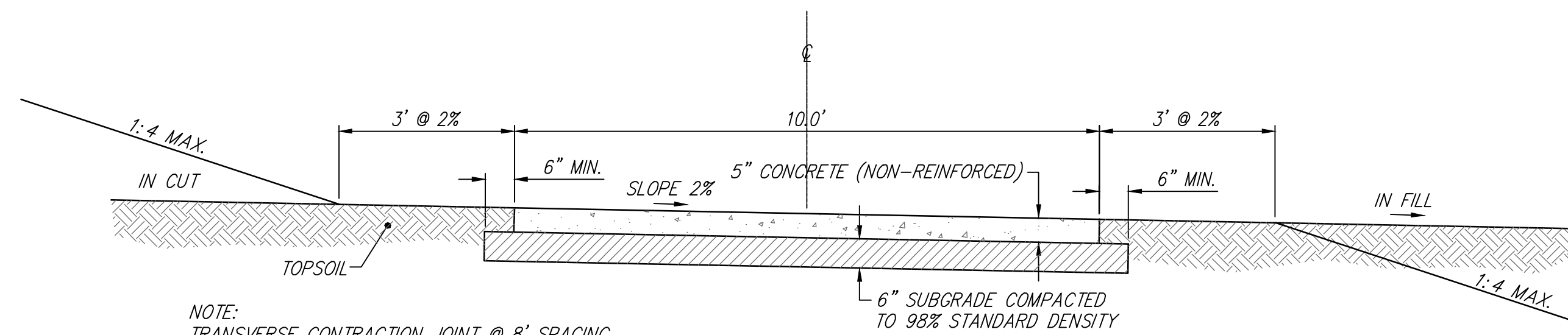
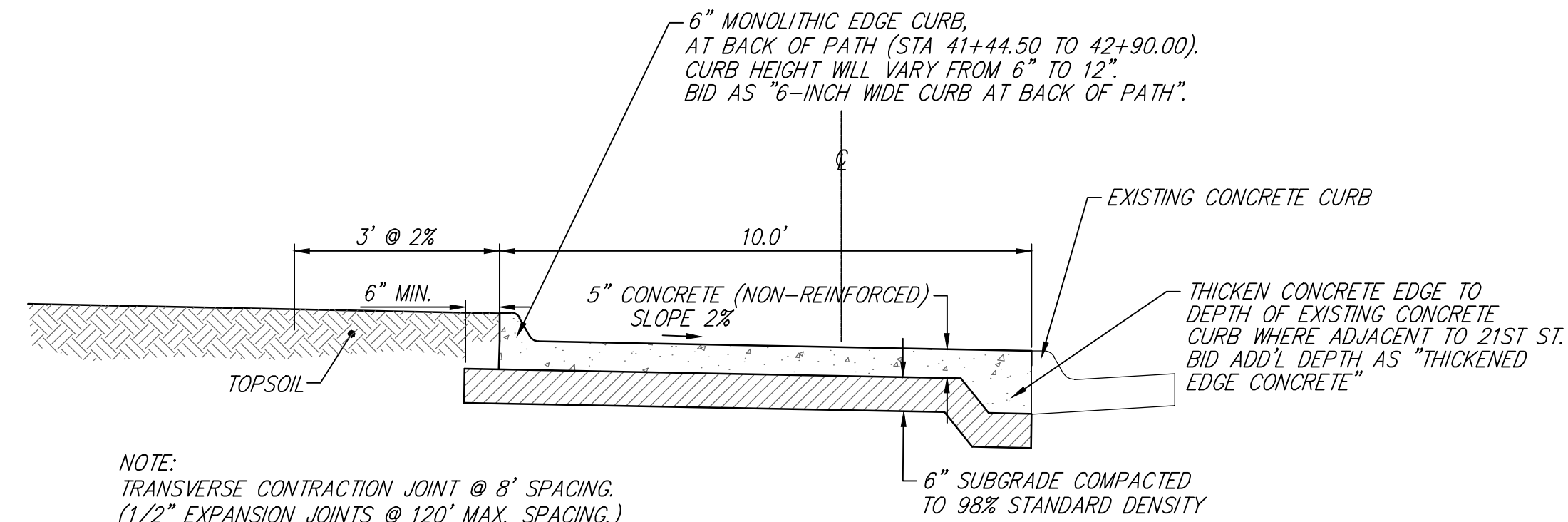


FHWA REGION NO.	STATE	PROJECT NUMBER	FISCAL YEAR	SHEET NUMBER	TOTAL SHEETS
	KANSAS	..		3	22



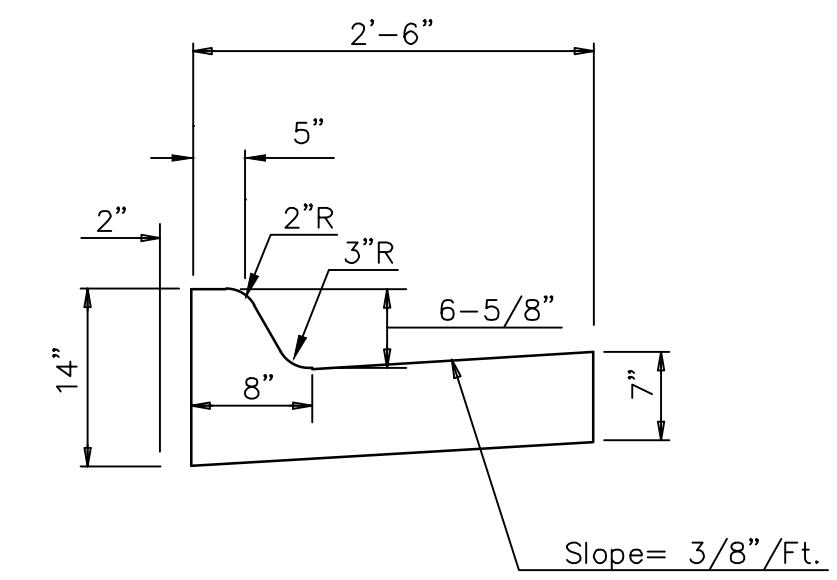
NOTE:
TRANSVERSE CONTRACTION JOINT @ 8' SPACING.
(1/2" EXPANSION JOINTS @ 120' MAX. SPACING.)
SLOPE LEFT OR RIGHT AS INDICATED ON PLAN.

TYPICAL SECTION (5" CONCRETE)

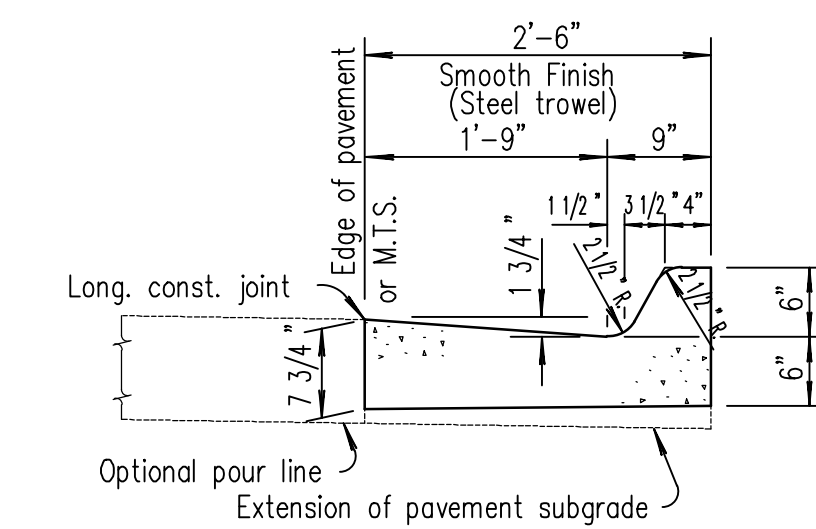


NOTE:
TRANSVERSE CONTRACTION JOINT @ 8' SPACING.
(1/2" EXPANSION JOINTS @ 120' MAX. SPACING.)
SLOPE LEFT OR RIGHT AS INDICATED ON PLAN.

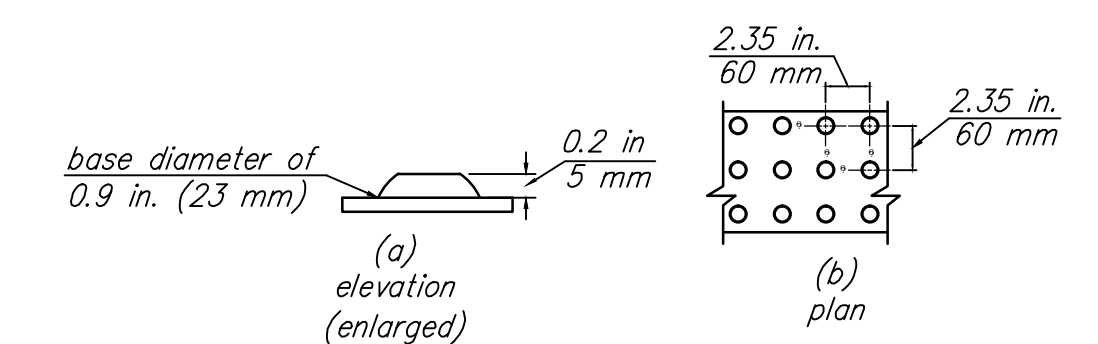
5" CONCRETE SECTION W/ MONOLITHIC CURB



COMBINED CONCRETE CURB & GUTTER (6 - 5/8")

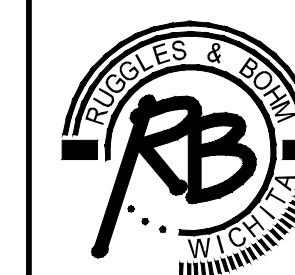


COMBINED CONCRETE CURB & GUTTER (TYPE I) (6")



DETECTABLE WARNING SURFACE

WACO STREET BIKE PATH TYPICAL SECTIONS AND DETAILS WICHITA, KANSAS



Ruggles & Bohm, P.A.
Engineering, Surveying, Land Planning
924 North Main (316) 264-8008
Wichita, Kansas 67203 (316) 264-4621 fax
www.rbkansas.com E-mail: info@rbkansas.com

DRAWING FILE: Title-DTL {Typ. Sect.}
PROJECT NUMBER: 472-84997

DESIGN	BT	SHEET 3 OF 22
DRAWN	MLP	
REVIEW		
UTILITY		
DATE	..	