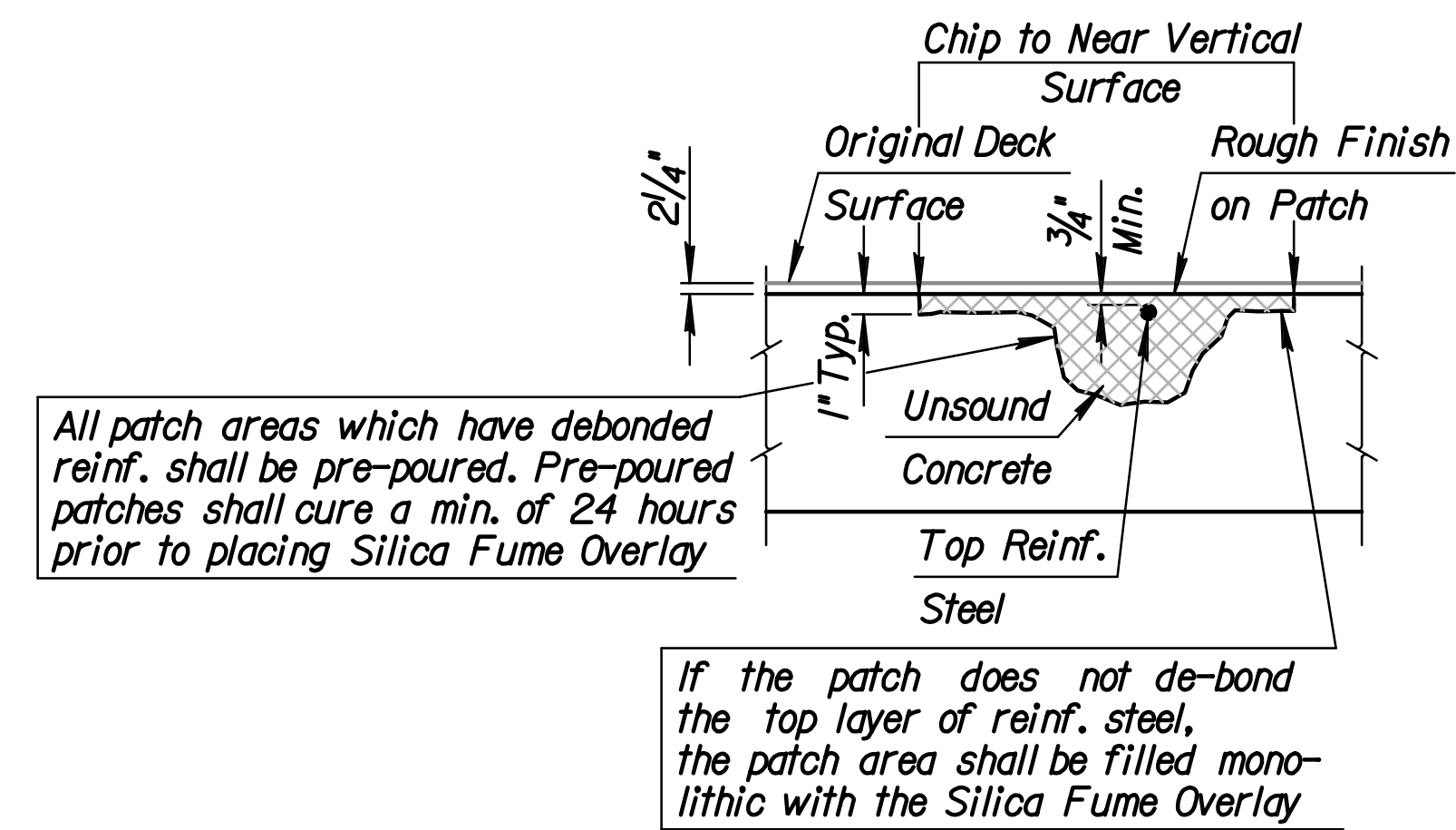


GENERAL NOTES

PARTIAL DEPTH PATCHING: This item shall consist of removing unsound concrete and bituminous patches from the bridge deck, cleaning reinforcing bars, filling the removed patched areas with concrete and preparing the entire area for Silica Fume Overlay. Quantities shown are an estimate of the areas involved. The exact areas shall be determined by tapping, before, during and after chipping operation to assure that all unsound concrete has been removed. See KDOT Specifications.

REINFORCING IN BRIDGE DECK: Care should be exercised to prevent cutting, stretching or damaging exposed reinforcing steel. Extreme care should be exercised to avoid breaking the bond between the reinforcing steel and concrete where bars are partially exposed yet remain anchored in sound concrete. Reinforcing steel damaged, cut or deteriorated shall be replaced as directed by the Engineer. See table on this sheet for minimum splice length required. Replacement of bars damaged by the Contractor shall be subsidiary to "Area Prepared for Patching".



All patch areas which have debonded reinf. shall be pre-poured. Pre-poured patches shall cure a min. of 24 hours prior to placing Silica Fume Overlay

If the patch does not de-bond the top layer of reinf. steel, the patch area shall be filled monolithic with the Silica Fume Overlay

PARTIAL DEPTH DETAIL

DECK PATCHING DETAILS

MIN. REBAR SPLICE LENGTHS	
Bar Size	Min. Spl. Len.
#4	12"
#5	13"
#6	16"
#7	20"
#8	26"
#9	33"
#10	42"
#11	52"

SUMMARY OF QUANTITIES		
ITEM	UNITS	QUANTITY
* Area Prepared for Patching	S.F.	220
* 2/4" Silica Fume Overlay	S.F.	220
* Silica Fume (Concrete Patch)	C.Y.	2.0

* Location and final quantity to be directed by the Engineer.

Plotted By: will Date: 8/16/2011 3:09:01 PM
 FILE: I:\2010\10313\BRIDGE\10313-PatchingDetails.dgn

No.	Revision	By	Date
SOUTHEAST BLVD AT WICHITA FLOOD CONTROL CANAL			
DECK PATCHING			
JAMES L. ARMOUR, P.E. - CITY ENGINEER CITY OF WICHITA PROJECT NO. 472-84923			
Professional Engineering Consultants, P.A. 303 S. TOPEKA • WICHITA, KANSAS 67202 316-262-2691 • FAX 316-262-3003			
Designed by	RJM	Job No.	10313
Drawn by	RJM	Date	June, 2011
			Sht. 22R of 42