

STORM WATER SEWER
BERKELEY SQUARE FIRST ADDITION
HOME BANK & TRUST ADDITION

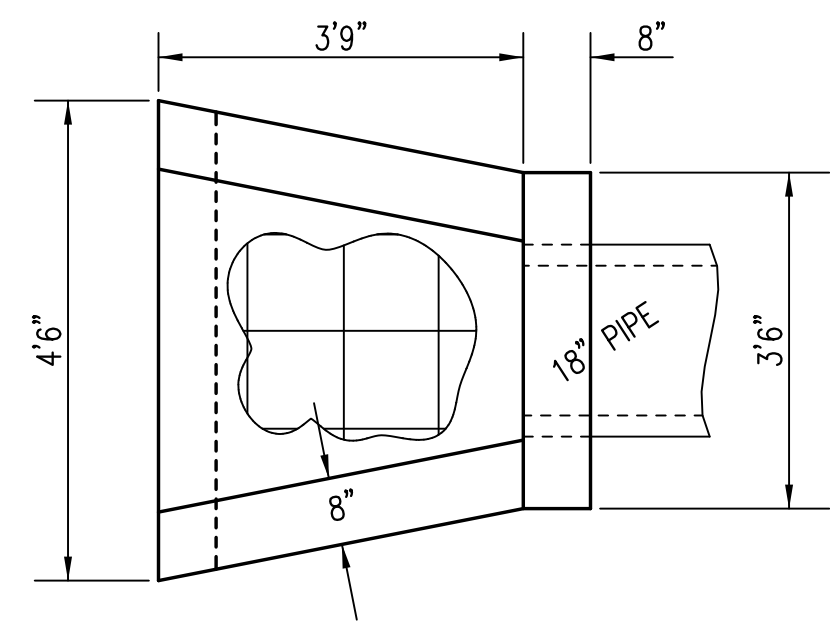
**HEADWALL
DETAILS**

SHEET TITLE
468-84732
PROJECT NUMBER

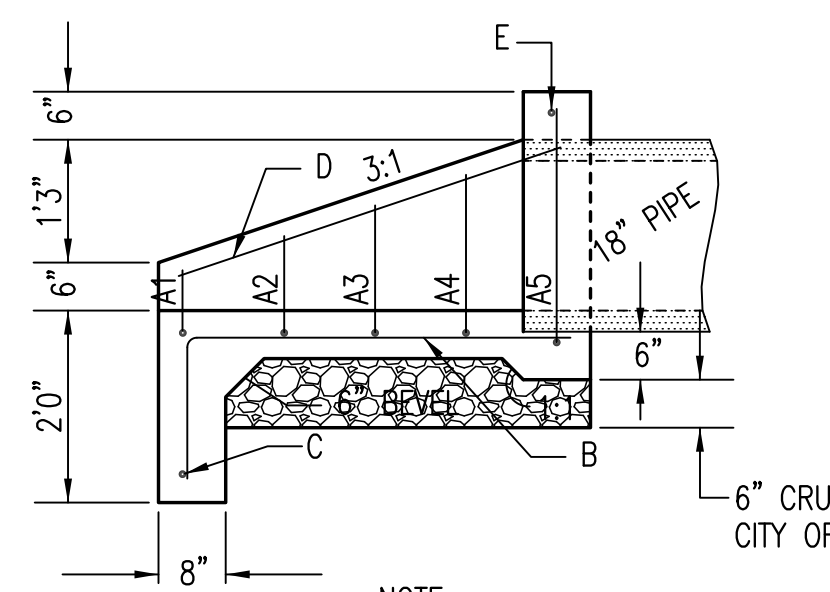
MKEC | MKEC | MKEC
DESIGNED | DRAWN | CHECKED

ISSUED
August 2011

REVISED

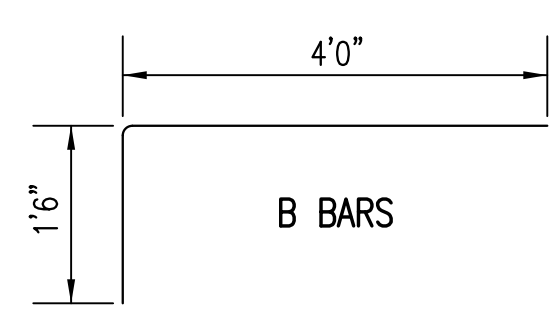
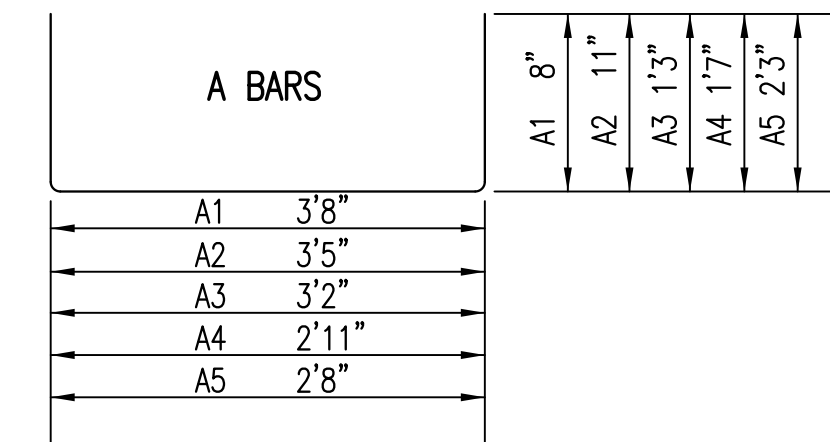


PLAN



SECTION

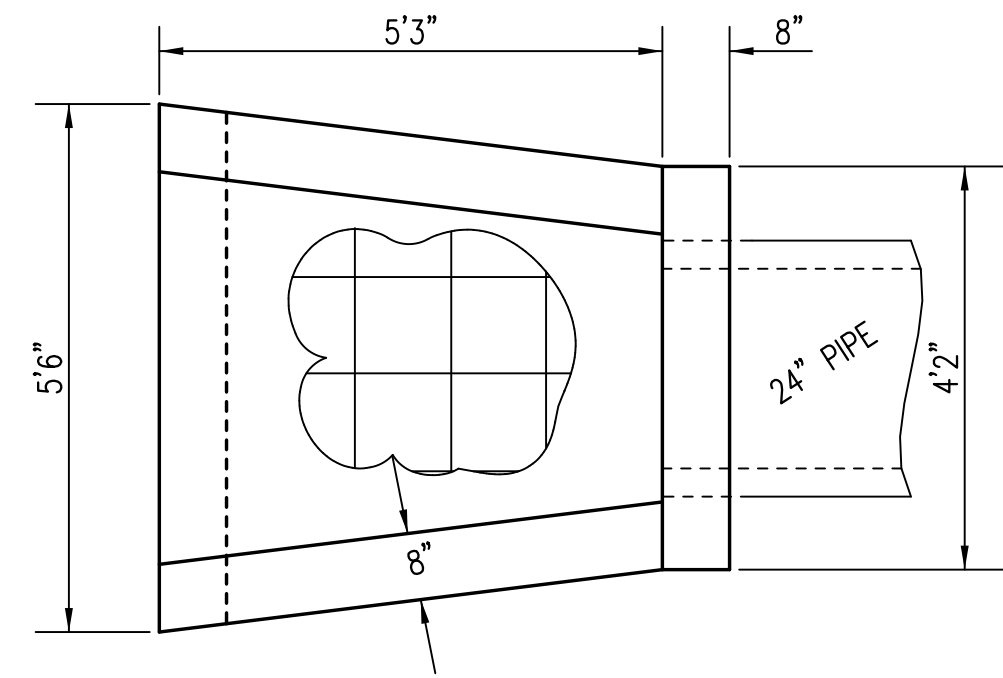
NOTE:
ALL REBARS TO BE #4.
ALL EXPOSED EDGES TO HAVE 1/2" BEVEL.



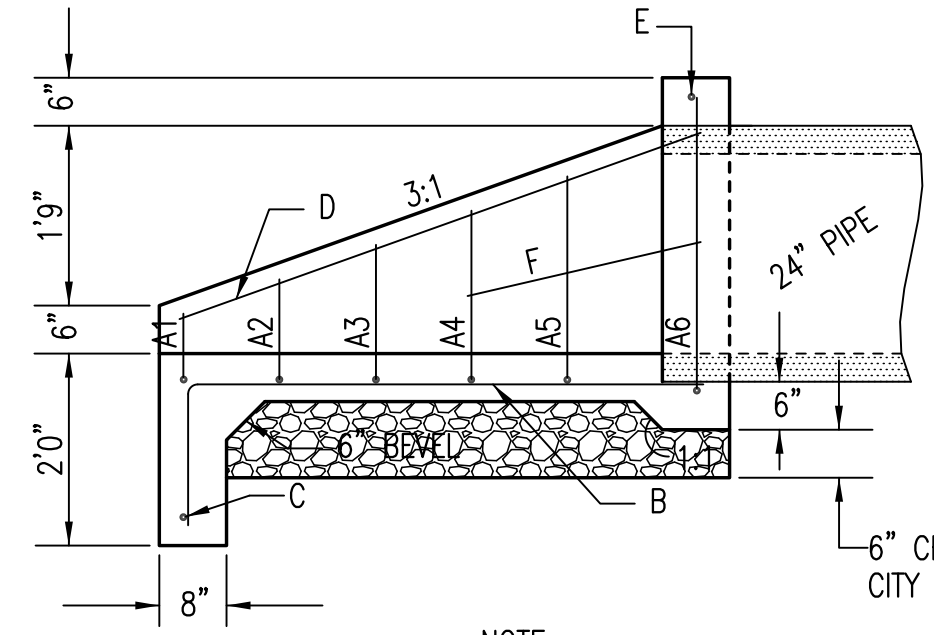
BAR	NUMBER	LENGTH	SHAPE	WEIGHT
A1	1	5'0"	[]	3.34
A2	1	5'3"	[]	3.51
A3	1	5'8"	[]	3.79
A4	1	6'1"	[]	4.06
A5	1	7'2"	[]	4.79
B	5	5'6"	[]	18.37
C	1	4'0"	[]	2.67
D	2	4'0"	[]	5.34
E	1	3'2"	[]	2.12
TOTAL REBAR, LBS				47.99
CONCRETE, C.Y.				0.91

ALL REBARS TO BE #4.

HEADWALL FOR 18" PIPE

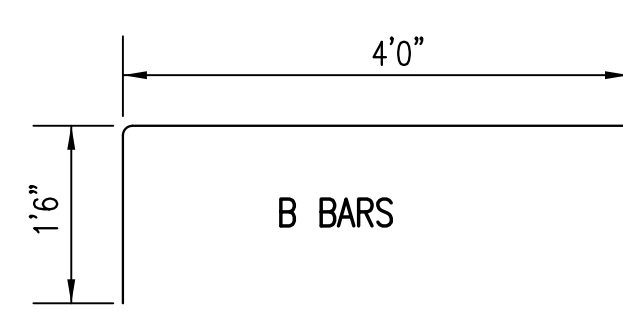
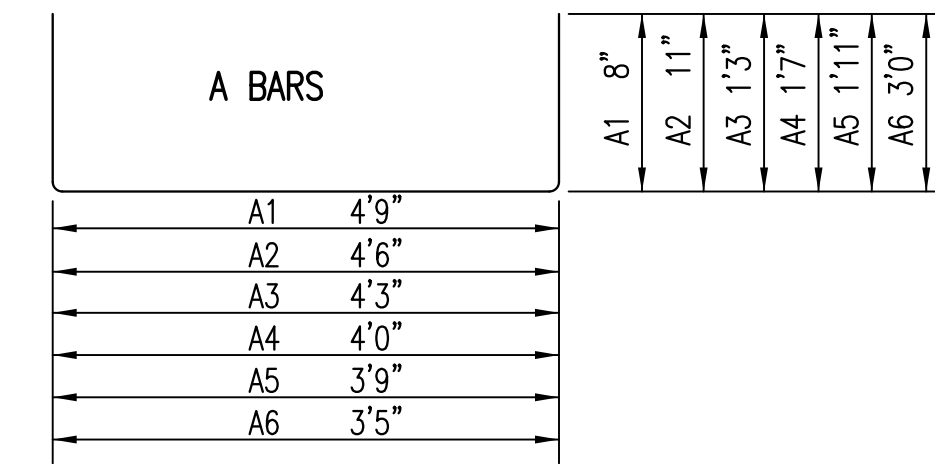


PLAN



SECTION

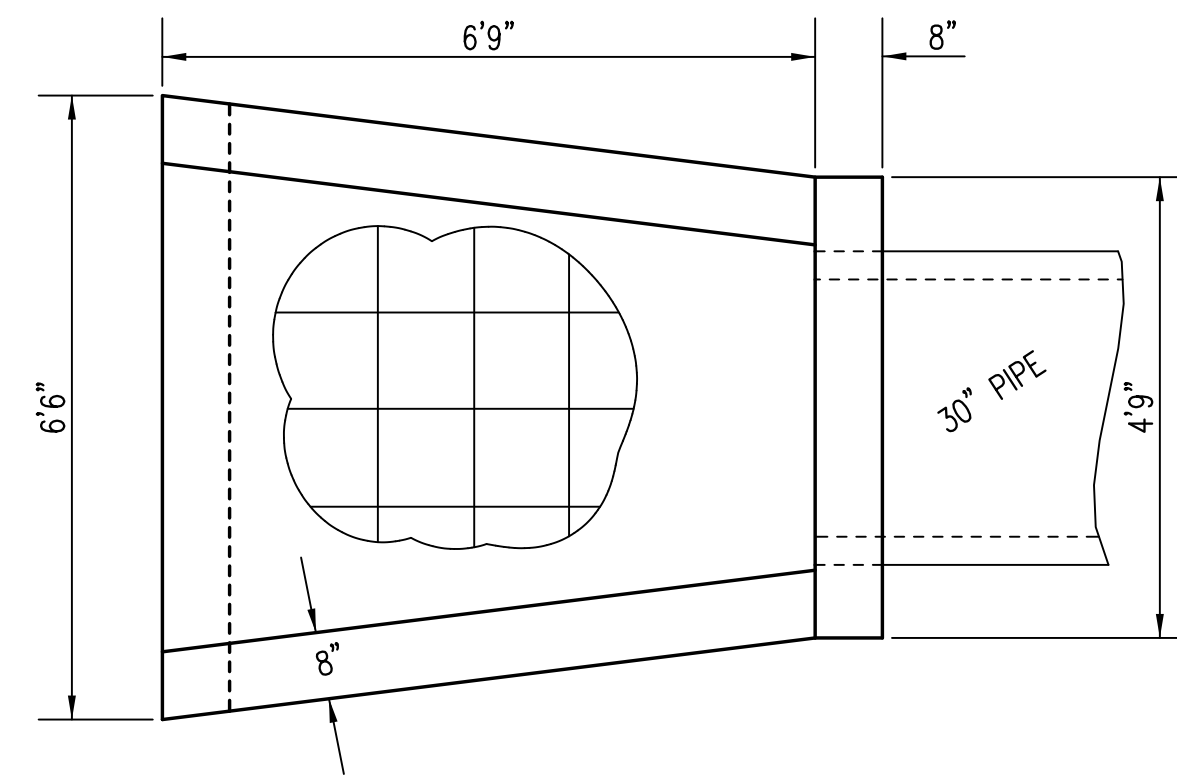
NOTE:
ALL REBARS TO BE #4.
ALL EXPOSED EDGES TO HAVE 1/2" BEVEL.



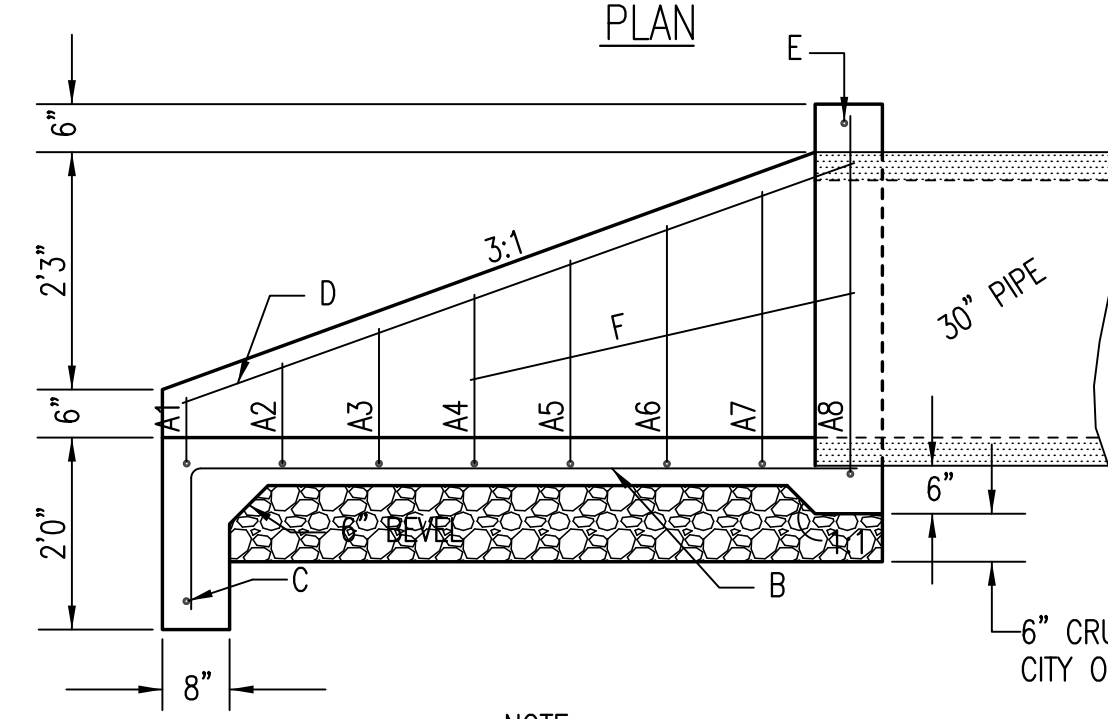
BAR	NUMBER	LENGTH	SHAPE	WEIGHT
A1	1	6'1"	[]	4.06
A2	1	6'4"	[]	4.23
A3	1	6'9"	[]	4.51
A4	1	7'2"	[]	4.79
A5	1	7'7"	[]	5.07
A6	1	9'5"	[]	6.29
B	6	6'11"	[]	27.72
C	1	5'0"	[]	3.37
D	2	5'10"	[]	7.79
E	1	3'10"	[]	2.56
F	2	2'9"	[]	3.67
TOTAL REBAR, LBS				74.03
CONCRETE, C.Y.				1.40

ALL REBARS TO BE #4.

HEADWALL FOR 24" PIPE

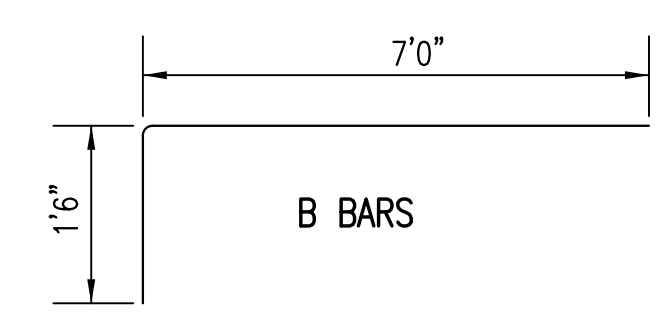
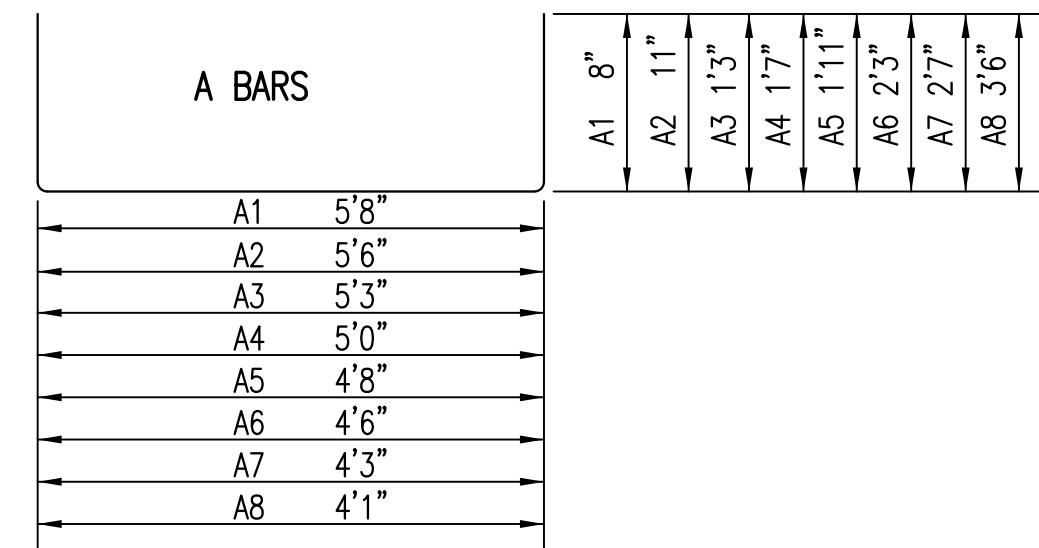


PLAN



SECTION

NOTE:
ALL REBARS TO BE #4.
ALL EXPOSED EDGES TO HAVE 1/2" BEVEL.



BAR	NUMBER	LENGTH	SHAPE	WEIGHT
A1	1	7'0"	[]	4.68
A2	1	7'4"	[]	4.90
A3	1	7'9"	[]	5.18
A4	1	8'2"	[]	5.46
A5	1	8'6"	[]	5.68
A6	1	9'0"	[]	6.01
A7	1	9'5"	[]	6.29
A8	1	11'1"	[]	7.40
B	7	8'6"	[]	35.07
C	1	6'0"	[]	4.01
D	2	7'6"	[]	10.02
E	1	4'5"	[]	2.95
F	2	4'3"	[]	5.68
TOTAL REBAR, LBS				103.33
CONCRETE, C.Y.				2.01

ALL REBARS TO BE #4.

HEADWALL FOR 30" PIPE