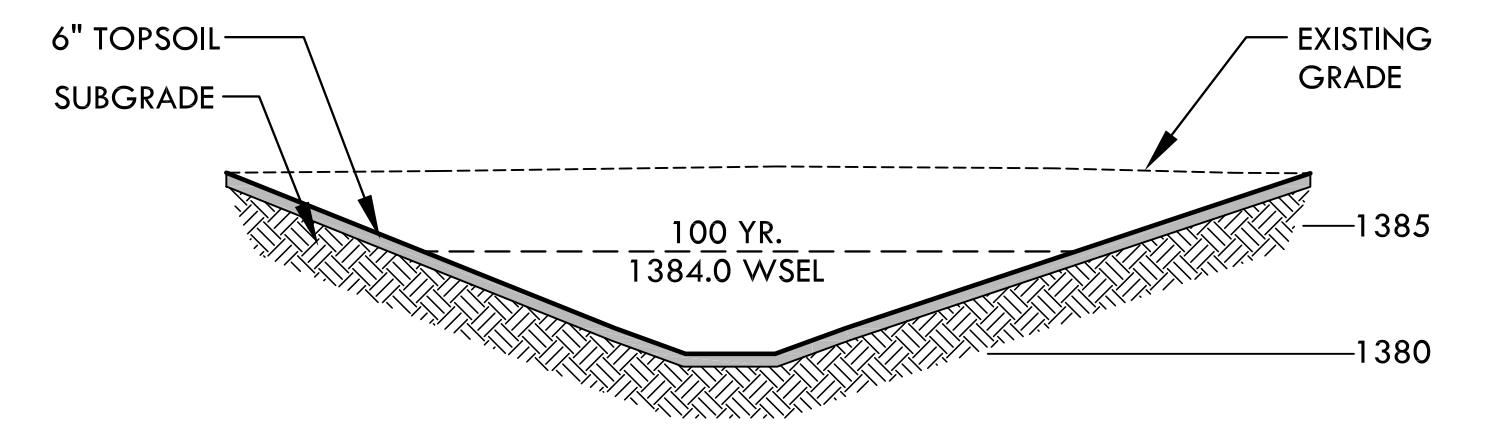


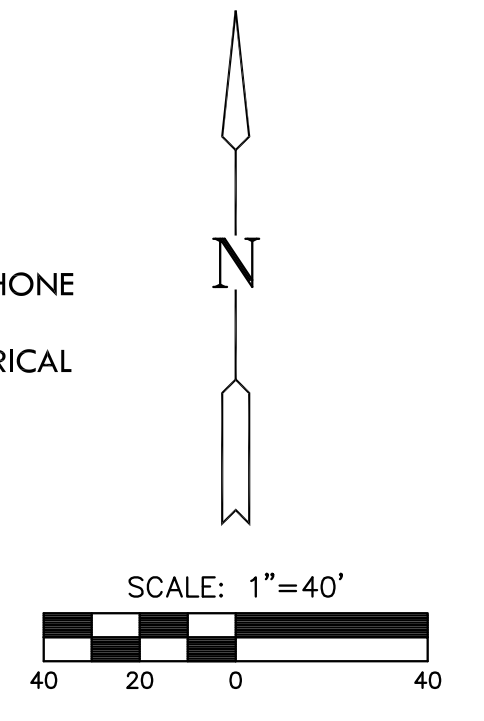
TYPICAL ROAD GRADING CROSS SECTION
NOT TO SCALE



TYPICAL CROSS SECTION - RESERVE "A"
NOT TO SCALE

LEGEND

- | | | | |
|----------|------------------|---------|---------------------------------|
| — 1380 — | EXIST. CONTOUR | — UGT — | EXISTING UNDERGROUND TELEPHONE |
| — 1380 — | PROP. CONTOUR | — UGE — | EXISTING UNDERGROUND ELECTRICAL |
| — — — — | GRADING LIMITS | — G — | EXISTING GAS LINE |
| — W — | WATERLINE | — TV — | EXISTING CABLE LINE |
| — SS — | SANITARY SEWER | ➔ | FLOW ARROW |
| — — — — | STORMWATER SEWER | | |



STORM WATER SEWER
BERKELEY SQUARE FIRST ADDITION
HOME BANK & TRUST ADDITION

GRADING

SHEET TITLE
468-84732
PROJECT NUMBER

JAG / KKL / GJA
DESIGNED / DRAWN / CHECKED

ISSUED
August 2011

REVISED

SHEET NO.
9 of 24