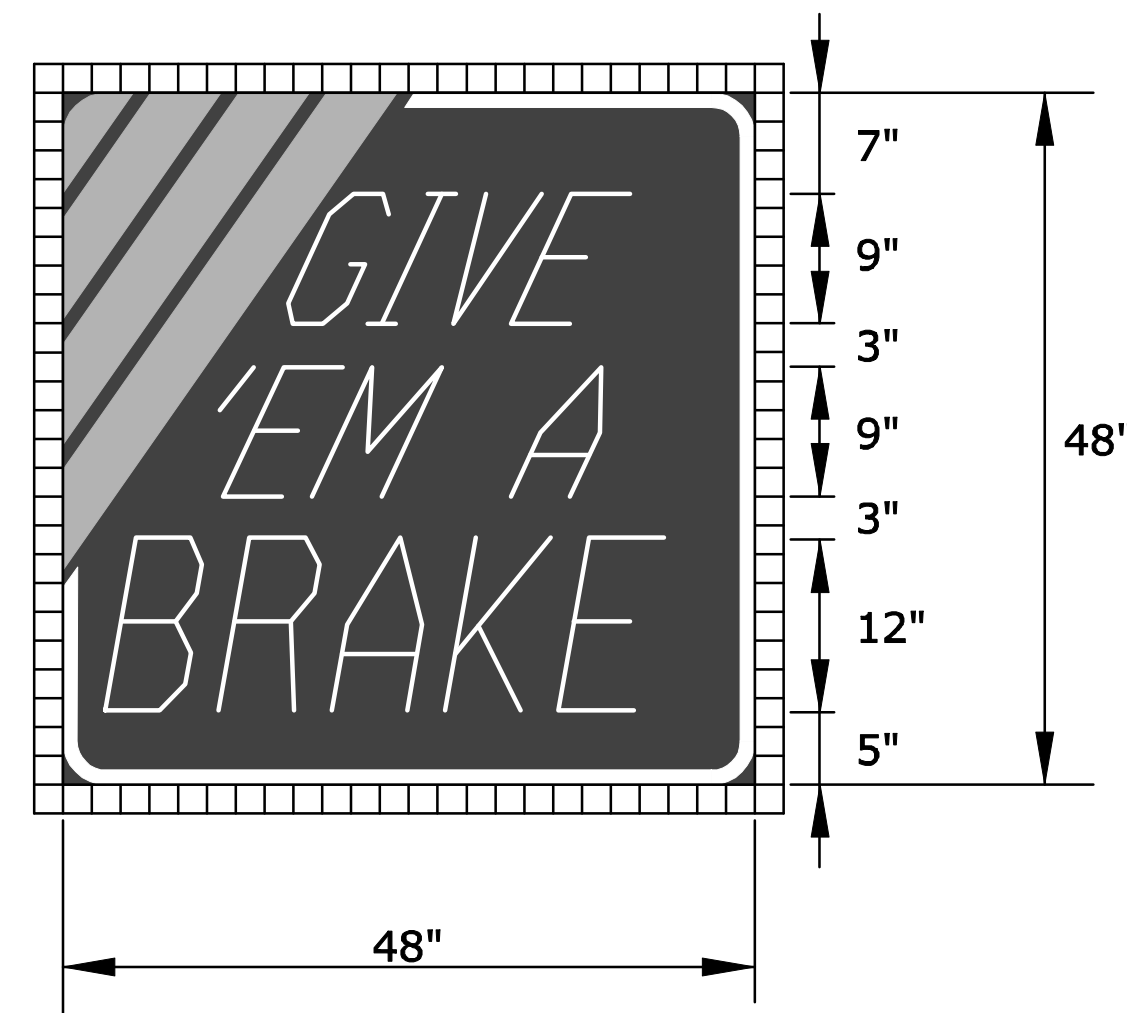


### HEIGHT AND LATERAL DIMENSIONS FOR GROUND MOUNTED SIGNS (SIGNS LEFT IN PLACE OVER 3 DAYS)

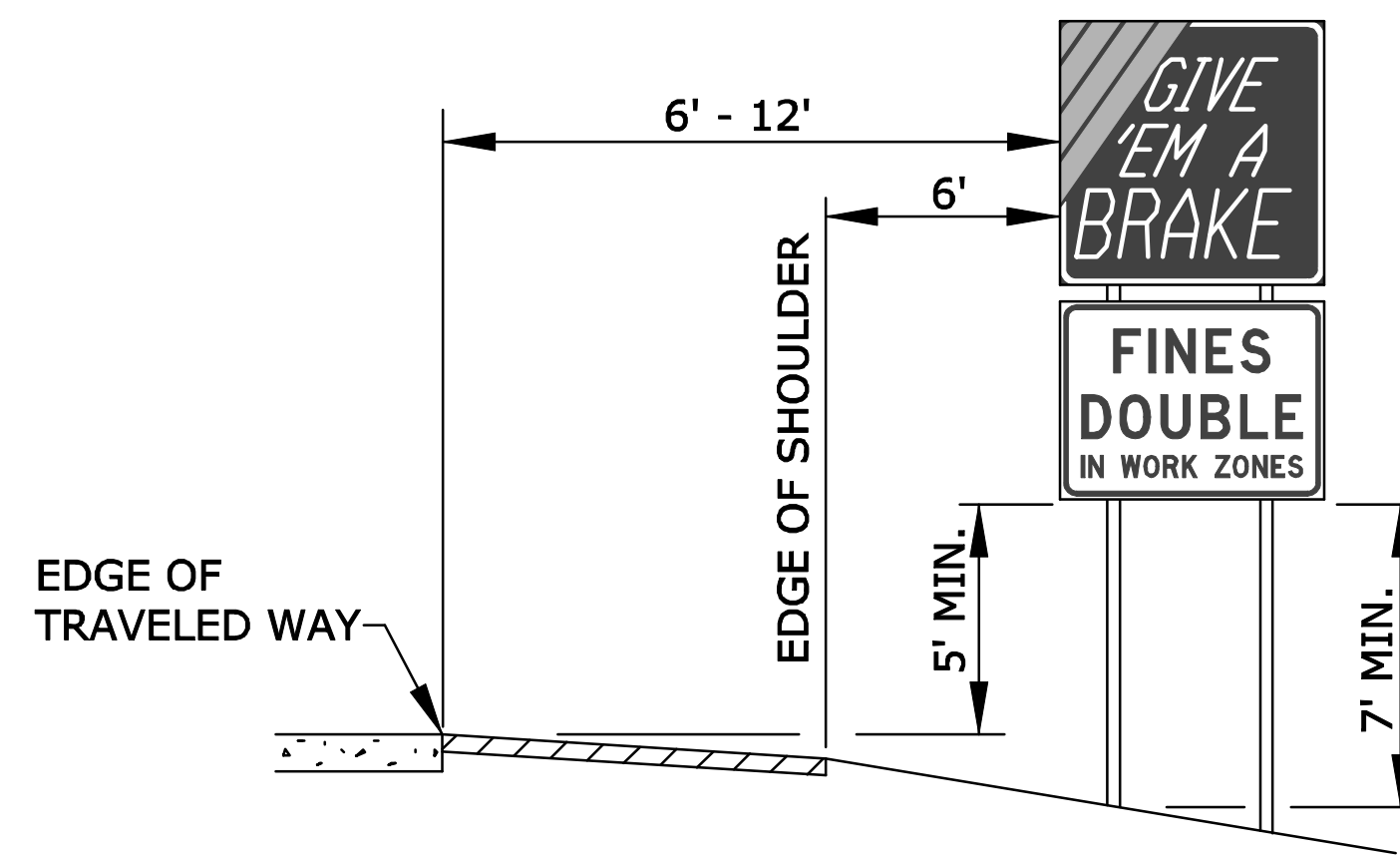


KI-104a

COLORS:  
 BACKGROUND - BLACK  
 BORDER - WHITE  
 LEGEND - WHITE  
 STRIPES - ORANGE

BORDER WIDTH - 1"  
 CORNER RADIUS - 4"  
 STRIPE WIDTH - 3"

LEGEND:  
 " GIVE " - DUTCH 801 ROMAN SWC - 25 DEGREE SLANT  
 " 'EM A " - DUTCH 801 ROMAN SWC - 25 DEGREE SLANT  
 " BRAKE " - DUTCH 801 ROMAN SWC - 10 DEGREE SLANT



### HEIGHT AND LATERAL PLACEMENT

NOTE:  
 IF THERE IS NO SHOULDER, THE SIGN SHALL BE PLACED 6' - 12' FROM THE EDGE OF TRAVELED WAY AND NOT LESS THAN 6' FROM THE EDGE OF PAVED SHOULDER. SIGNS SHALL NOT OVERLAP EACH OTHER.

NOTES:

THE SIGN BLANK MATERIAL SHALL BE ALUMINUM, WOOD, OR FIBERGLASS REINFORCED PLASTIC.

THE ORANGE PORTION OF THE KI-104a SIGN SHALL BE ASTM TYPE IV SHEETING. THE WHITE PORTION SHALL BE ASTM TYPE III SHEETING.

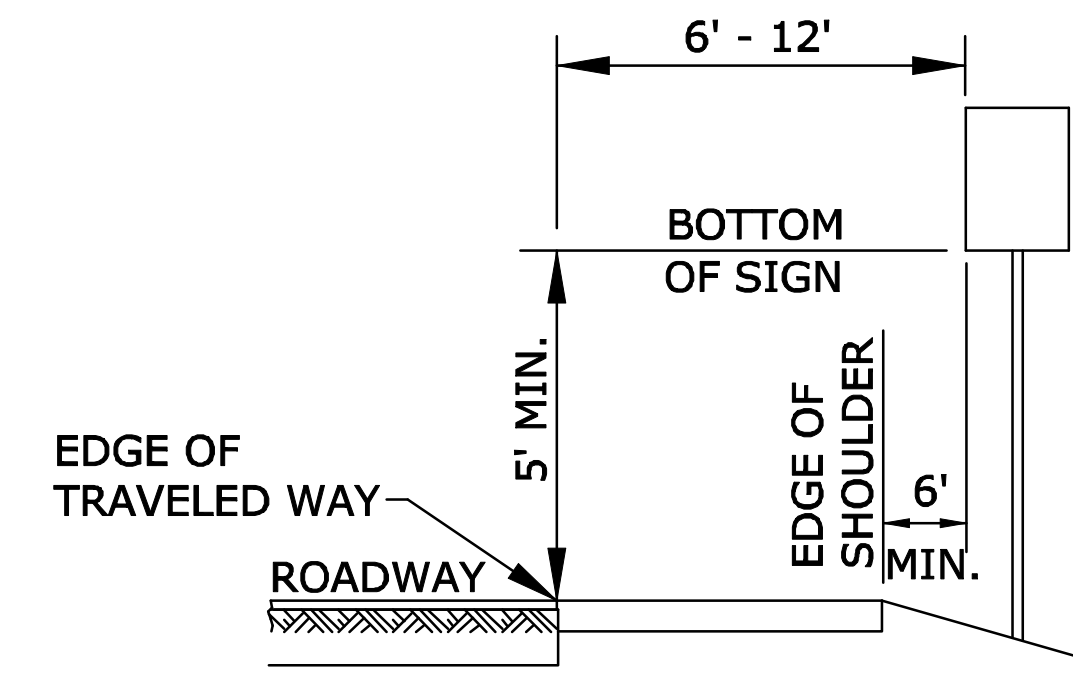
THE KI-105a SIGN FACE SHALL BE COVERED WITH ASTM TYPE III SHEETING.

THE SIGNS ARE TO BE MOUNTED ON CRASHWORTHY SUPPORTS, BRACING, GUY WIRES AND TIE-DOWNS ARE NOT ALLOWED.

TYPICALLY, THERE ARE TWO SETS OF INFORMATIONAL SIGNS INSTALLED PER PROJECT: ONE FOR EACH DIRECTION OF TRAFFIC.

INSTALL SIGNS A MINIMUM OF 250' IN ADVANCE OF THE ROAD WORK AHEAD SIGN. THE ENGINEER MAY DESIGNATE A MORE APPROPRIATE LOCATION IF CONDITIONS DICTATE.

THE INFORMATIONAL SIGNS ARE NOT TO INTERFERE WITH THE TRAFFIC CONTROL SIGNS FOR THE PROJECT.



### RURAL DISTRICT

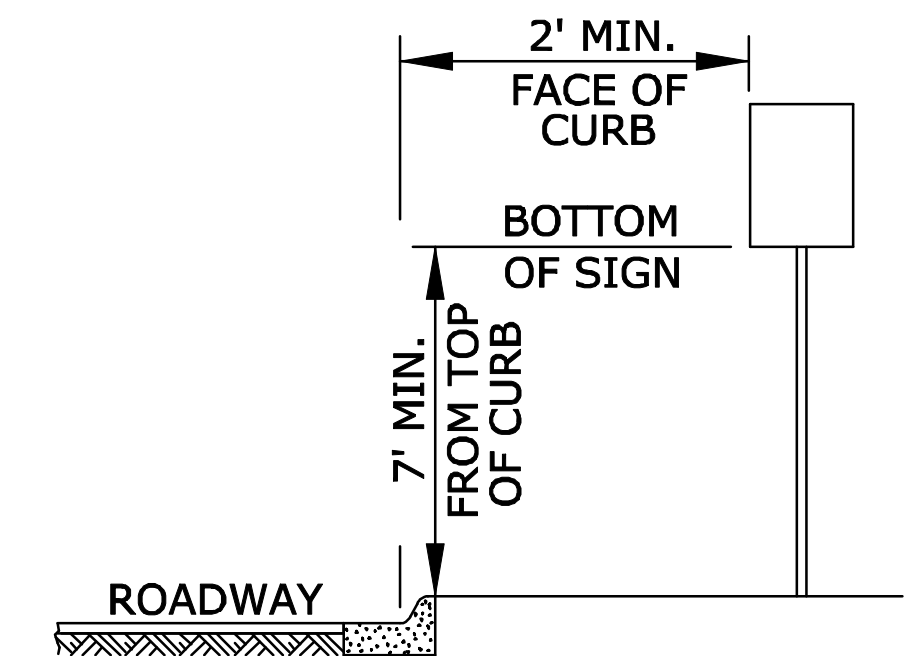
RURAL:

1) GROUND-MOUNTED SIGNS SHALL BE MOUNTED AT A MINIMUM HEIGHT OF 5' MEASURED FROM THE BOTTOM OF SIGN TO THE NEAR EDGE OF THE PAVEMENT.

2) LARGE SIGNS HAVING AN AREA EXCEEDING 50 SQUARE FEET INSTALLED ON MULTIPLE BREAKAWAY POSTS SHALL BE MOUNTED A MINIMUM OF 7' ABOVE THE GROUND.

3) THE HEIGHT FROM THE BOTTOM OF THE SECONDARY SIGN MOUNTED BELOW ANOTHER SIGN MAY BE 4' MEASURED FROM THE BOTTOM OF THE SIGN TO THE NEAR EDGE OF THE PAVEMENT. SIGNS SHALL NOT OVERLAP EACH OTHER.

4) SIGN SUPPORTS SHALL BE CRASHWORTHY.



### URBAN DISTRICT

URBAN:

1) SIGNS SHALL BE MOUNTED AT A MINIMUM HEIGHT OF 7' MEASURED FROM THE BOTTOM OF SIGN TO THE NEAR EDGE OF THE PAVEMENT.

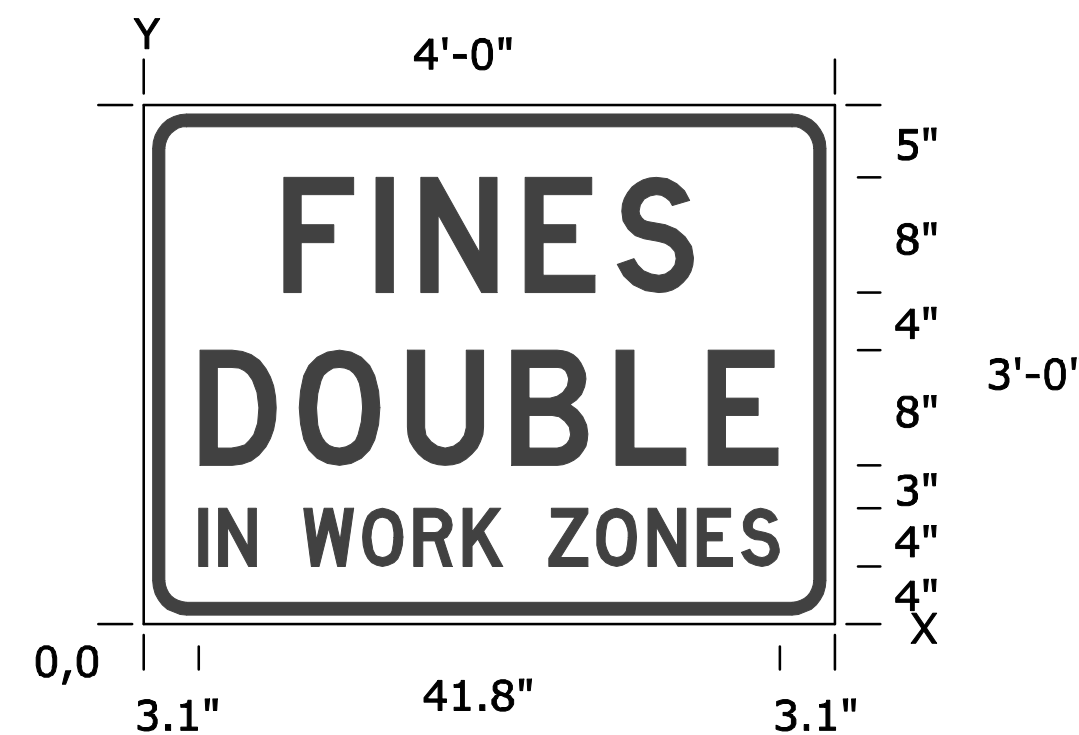
2) NEITHER PORTABLE NOR PERMANENT SIGN SUPPORTS SHOULD BE LOCATED ON SIDEWALKS OR AREAS DESIGNATED FOR PEDESTRIAN OR BICYCLE TRAFFIC.

3) SIGNS MOUNTED LOWER THAN 7' SHOULD NOT PROJECT MORE THAN 4" INTO PEDESTRIAN FACILITIES.

4) THE HEIGHT FROM BOTTOM OF THE SECONDARY SIGN MOUNTED BELOW ANOTHER SIGN MAY BE 6' MEASURED FROM THE BOTTOM OF SIGN TO THE NEAR EDGE OF THE PAVEMENT. SIGNS SHALL NOT OVERLAP EACH OTHER.

5) LARGE SIGNS HAVING AN AREA EXCEEDING 50 SQUARE FEET INSTALLED ON MULTIPLE BREAKAWAY POSTS SHALL BE MOUNTED A MINIMUM OF 7' ABOVE THE GROUND.

6) SIGN SUPPORTS SHALL BE CRASHWORTHY.



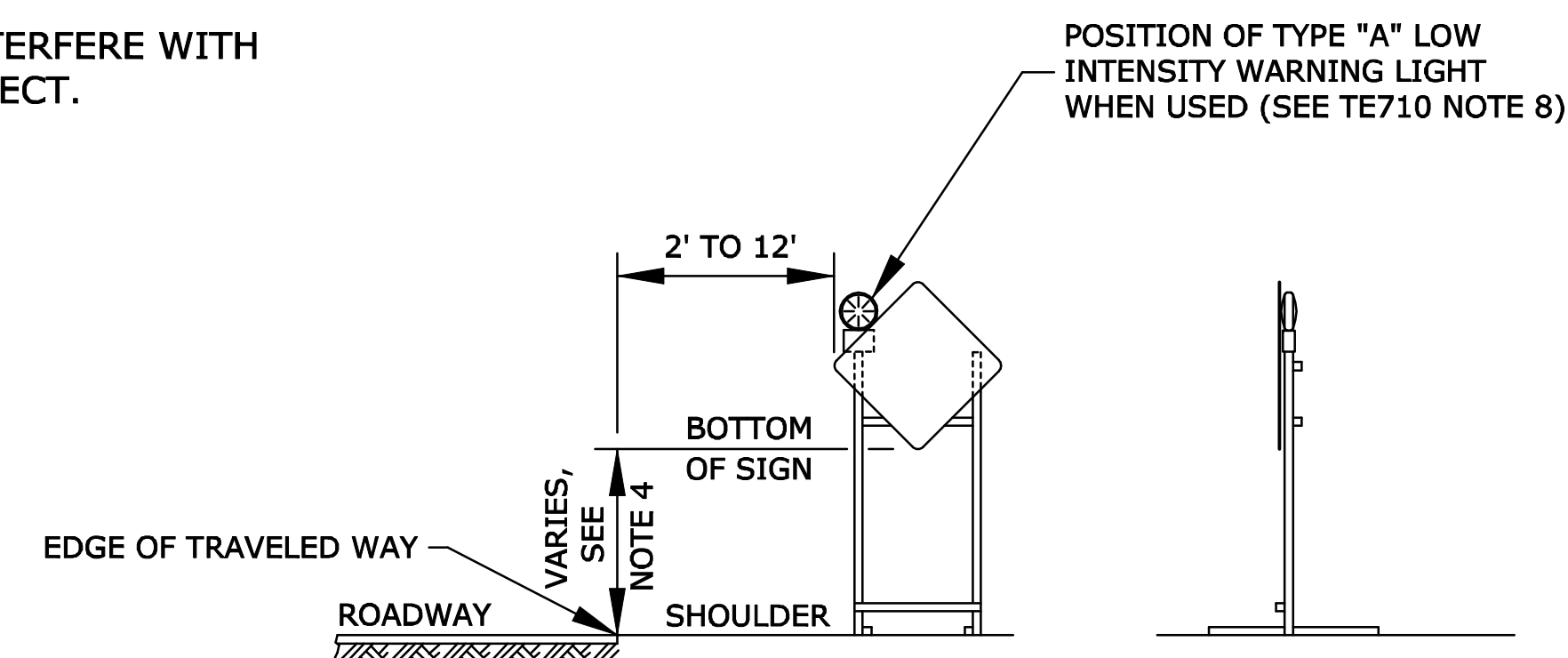
KI-105a

SIGN NUMBER	FINES DOUBLE
WIDTH x HEIGHT	4'-0" x 3'-0"
BORDER WIDTH	0.9"
CORNER RADIUS	3.0"
MOUNTING	GROUND
BACKGROUND	TYPE: REFLECTIVE
	COLOR: WHITE
LEGEND/BORDER	TYPE: NON-REFLECTIVE
	COLOR: BLACK

DIMENSIONS IN INCHES

SPACINGS ARE TO START OF NEXT LETTER

Y FONT	LETTER SPACINGS													HT LEN		
23.0	FINE S													8.0		
D	9.7	6.4	3.2	7.3	6.4	5.4	9.7							28.6		
11.0	DOUBLE													8.0		
D	3.9	6.9	7.5	7.3	7.3	6.4	4.9	3.9						40.3		
4.0	IN WORK ZONES													4.0		
D	3.1	1.6	2.7	3.2	4.3	3.8	3.6	2.8	3.2	3.4	3.8	3.6	3.2	2.7	3.1	41.8



(SEE NOTE 4 FOR "ROLL-UP" SIGNS OPTION)

### HEIGHT AND LATERAL DIMENSIONS FOR SIGNS MOUNTED ON SKIDS OR OTHER SUPPORTS ON PAVEMENT

3	6/1/10	Changed Type A Warning Light Note	J.M.	A.A.A.
2	4-20-09	Added Detail for Skid Mounted Signs	J.M.	A.A.A.
1	8-8-07	KI-104 & KI-105 Change, Added Ground Mount	M.B.	A.A.A.
NO.	DATE	REVISIONS	BY	APP'D

KANSAS DEPARTMENT OF TRANSPORTATION				
GROUND AND SKID MOUNTED DETAIL				
DETAILS FOR "GIVE 'EM A BRAKE" AND "FINES DOUBLE" SIGNS				
TE714			9/1/00	
FHWA APPROVAL	6/1/2010	APP'D	Anthony A. Alrobalre	
DESIGNED	B.A.H.	DETAILED	B.A.H.	QUANTITIES
DESIGN CK.	DETAIL CK.	QUAN. CK.	TRACE CK.	TRACE CK.