

PAVING PLANS
BERKELEY SQUARE FIRST ADDITION
HOME BANK & TRUST ADDITION

BERKELEY SQUARE PKWY

SHEET TITLE
472-84975
PROJECT NUMBER

DFL / DM / GJA
DESIGNED / DRAWN / CHECKED

ISSUED
August 2011

REVISED

SHEET NO.

CURVE TABLE - C3

$\Delta = 13'23'16''$ R = 210.75' T = 24.73' L = 49.24' LC = 49.13'

CURVE DATA BASED ON CENTERLINE $\Delta / 2 = 06'41'38''$

STATION	ARC	CHORD LENGTH		DEFLECTION	TOTAL DEFLECTION
		8' Off LtCb	8' Off RtCb		
10+05.26	-	-	-	00°00'00"	00°00'00"
10+25.00	19.74'	18.02'	21.44'	02°41'00"	02°41'00"
10+50.00	25.00'	22.82'	27.15'	03°23'54"	06°04'54"
10+54.50	4.50'	4.11'	4.89'	00°36'44"	06°41'38"

Def/Ft = 8.15598 Min.

CURVE TABLE - C4

$\Delta = 13'23'16''$ R = 189.25' T = 22.21' L = 44.22' LC = 44.12'

CURVE DATA BASED ON CENTERLINE $\Delta / 2 = 06'41'38''$

STATION	ARC	CHORD LENGTH		DEFLECTION	TOTAL DEFLECTION
		8' Off LtCb	8' Off RtCb		
10+51.54	-	-	-	00°00'00"	00°00'00"
10+75.00	23.46'	25.71'	21.18'	03°33'05"	03°33'05"
10+95.76	20.76'	22.75'	18.75'	03°08'33"	06°41'38"

Def/Ft = 9.08255 Min.

CURVE TABLE - C5

$\Delta = 20'30'15''$ R = 212.75' T = 38.48' L = 76.14' LC = 75.73'

CURVE DATA BASED ON CENTERLINE $\Delta / 2 = 10'15'07''$

STATION	ARC	CHORD LENGTH		DEFLECTION	TOTAL DEFLECTION
		8' Off LtCb	8' Off RtCb		
10+03.25	-	-	-	00°00'00"	00°00'00"
10+25.00	21.75'	23.78'	19.72'	02°55'44"	02°55'44"
10+50.00	25.00'	27.31'	22.87'	03°21'59"	06°17'42"
10+75.00	25.00'	27.31'	22.87'	03°21'59"	09°39'41"
10+79.39	4.39'	4.79'	3.98'	00°35'26"	10°15'07"

Def/Ft = 8.07931 Min.

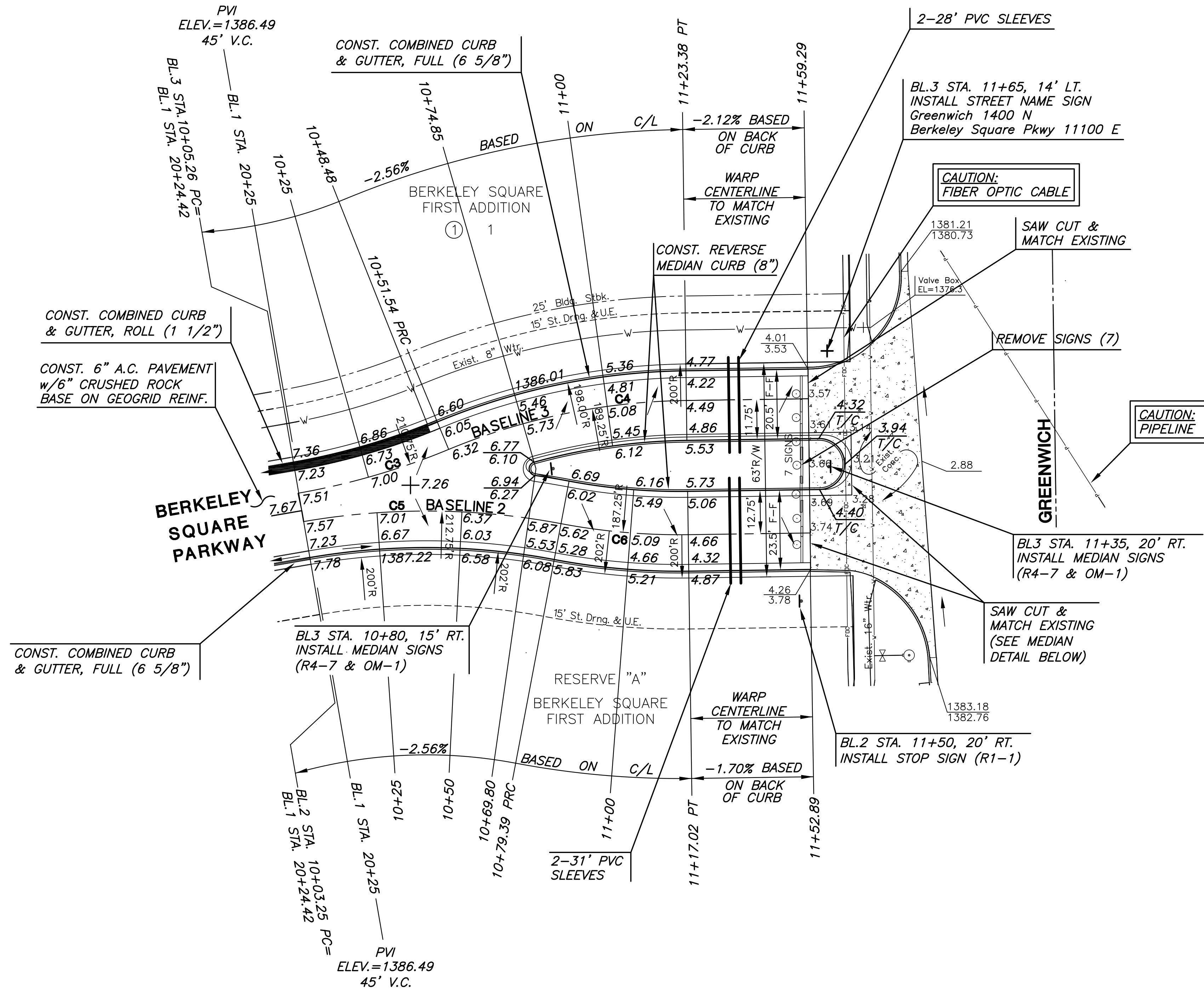
CURVE TABLE - C6

$\Delta = 11'31'01''$ R = 187.25' T = 18.88' L = 37.64' LC = 37.58'

CURVE DATA BASED ON CENTERLINE $\Delta / 2 = 05'45'30''$

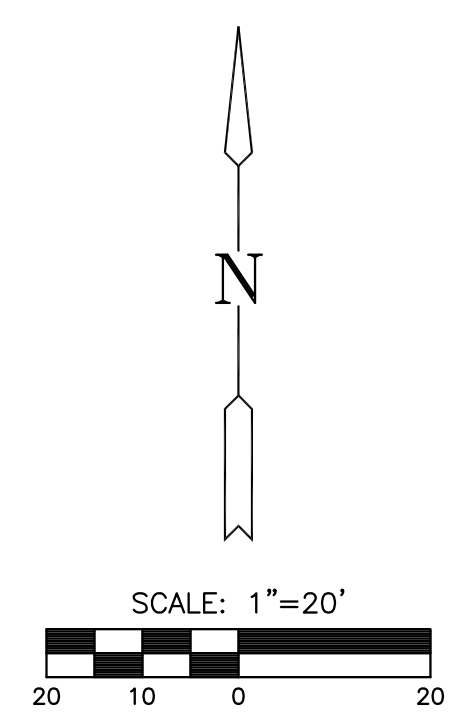
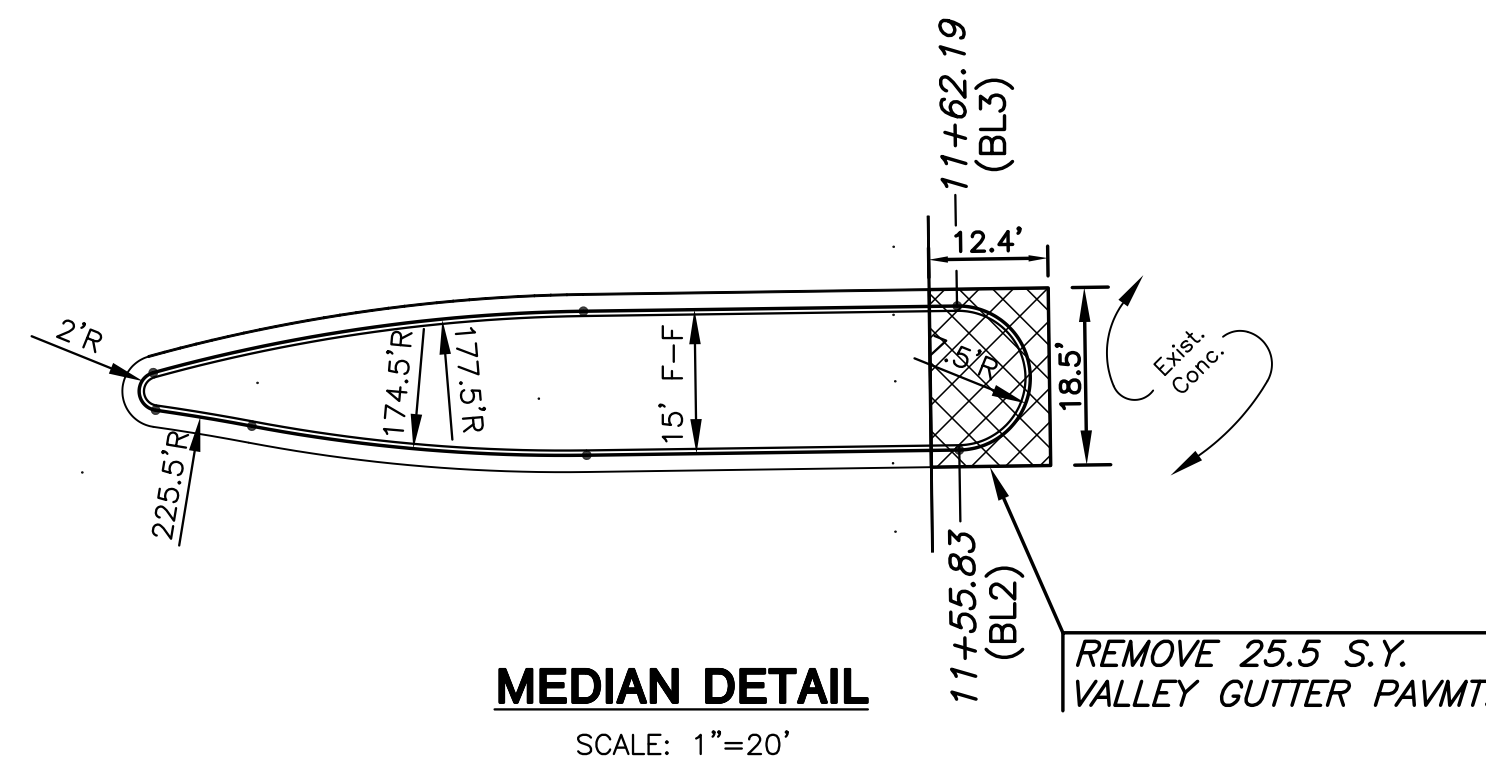
STATION	ARC	CHORD LENGTH		DEFLECTION	TOTAL DEFLECTION
		8' Off LtCb	8' Off RtCb		
10+79.39	-	-	-	00°00'00"	00°00'00"
11+00.00	20.61'	18.43'	22.77'	03°09'11"	03°09'11"
11+17.03	17.03'	15.23'	18.82'	02°36'19"	05°45'30"

Def/Ft = 9.17956 Min.



NOTES:

- ELEVATIONS SHOWN ALONG CURB & GUTTER ARE TO FLOWLINE AND TOP OF CURB UNLESS OTHERWISE NOTED.
- ALL DIMENSIONS ARE TO FACE OF CURB UNLESS OTHERWISE NOTED.
- ALL PVI AND VERTICAL CURVE INFORMATION IS BASED ON CENTERLINE UNLESS OTHERWISE NOTED.



LEGEND

- STREET SIGN & SIGN LOCATION (SEE SIGN ASSEMBLY TABLE FOR TYPE & STATION OF SIGN)
- FLOW ARROW