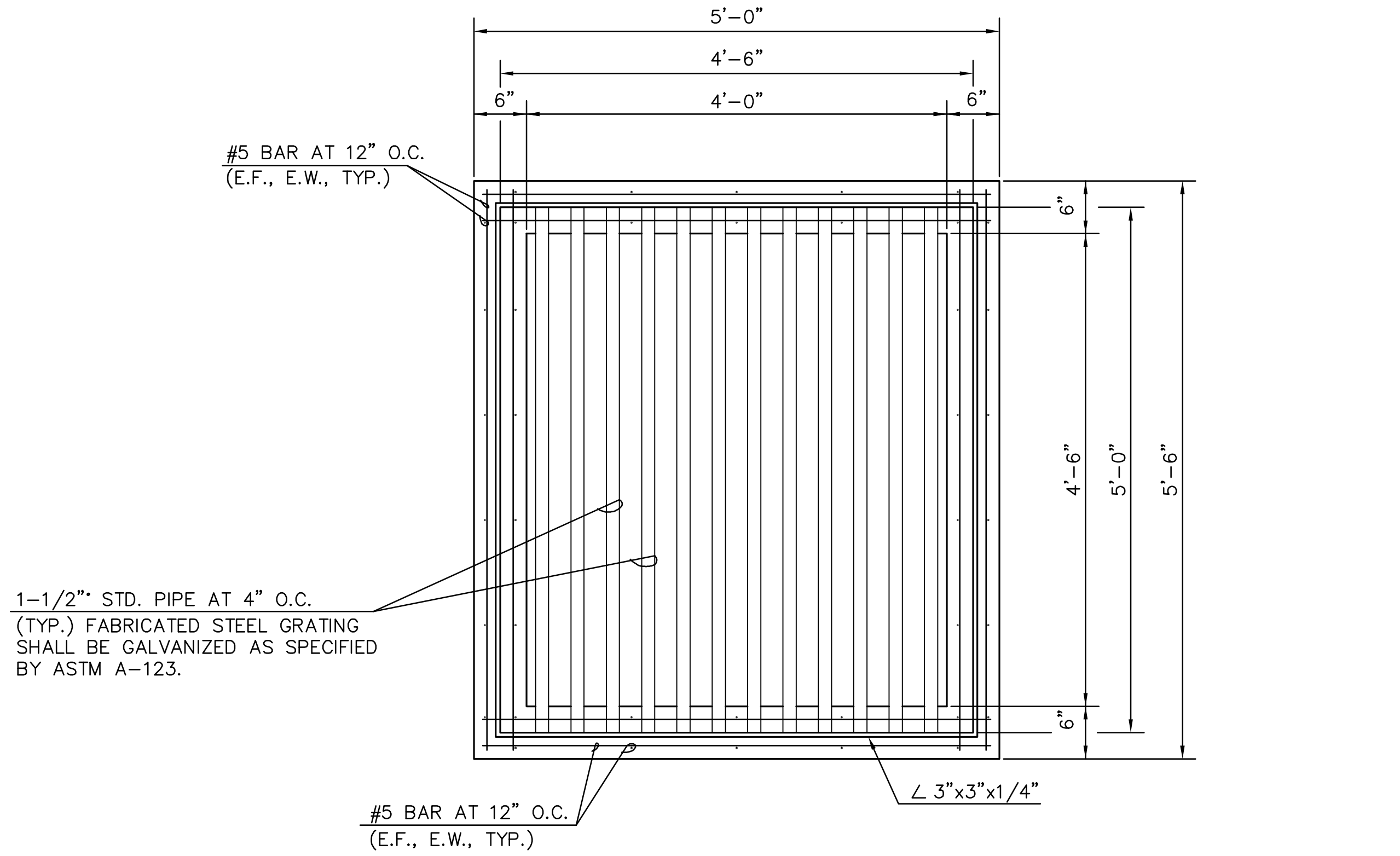
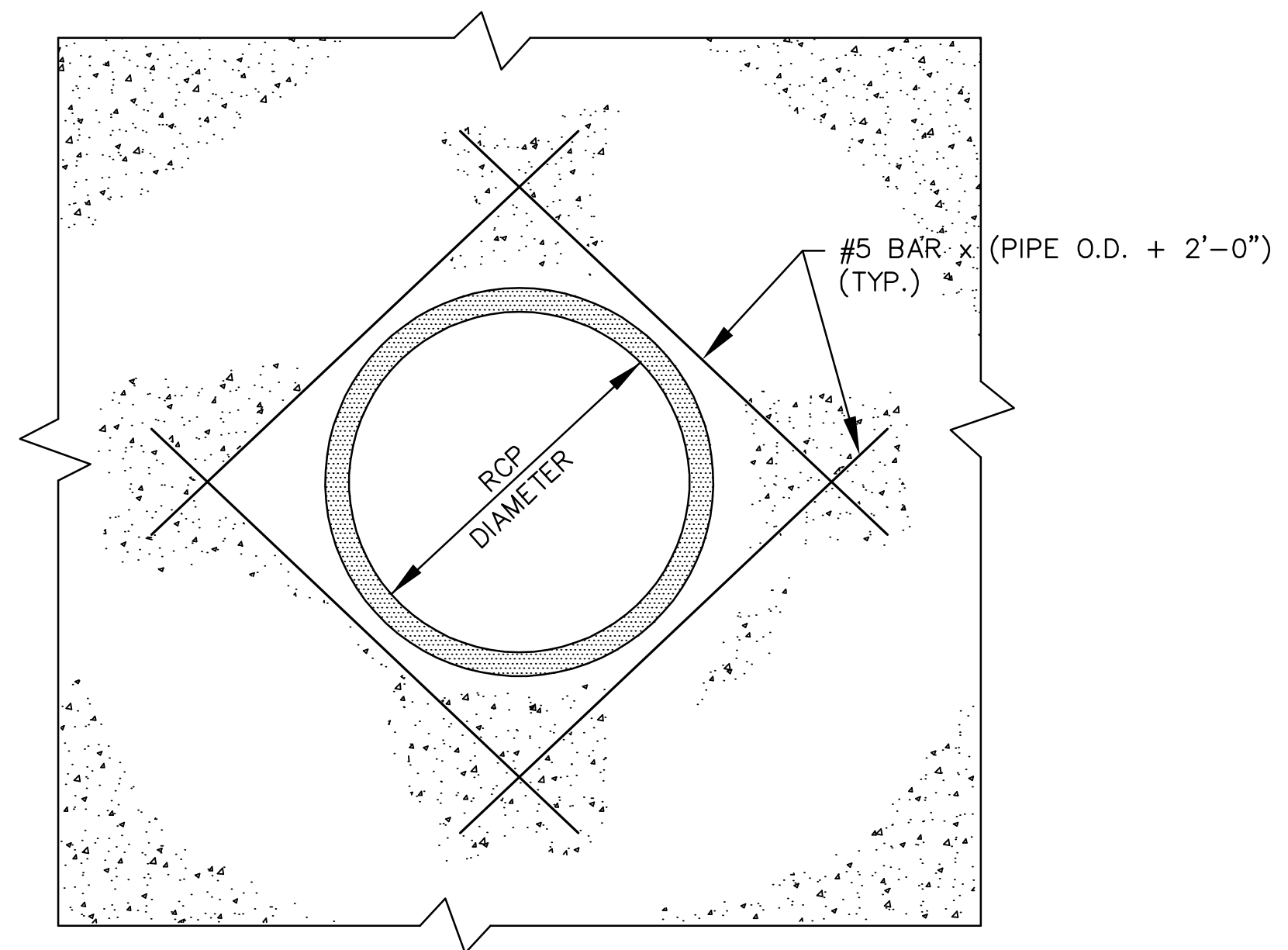


STORM WATER SEWER PLANS
MONARCH LANDING
THIRD ADDITION



PLAN VIEW

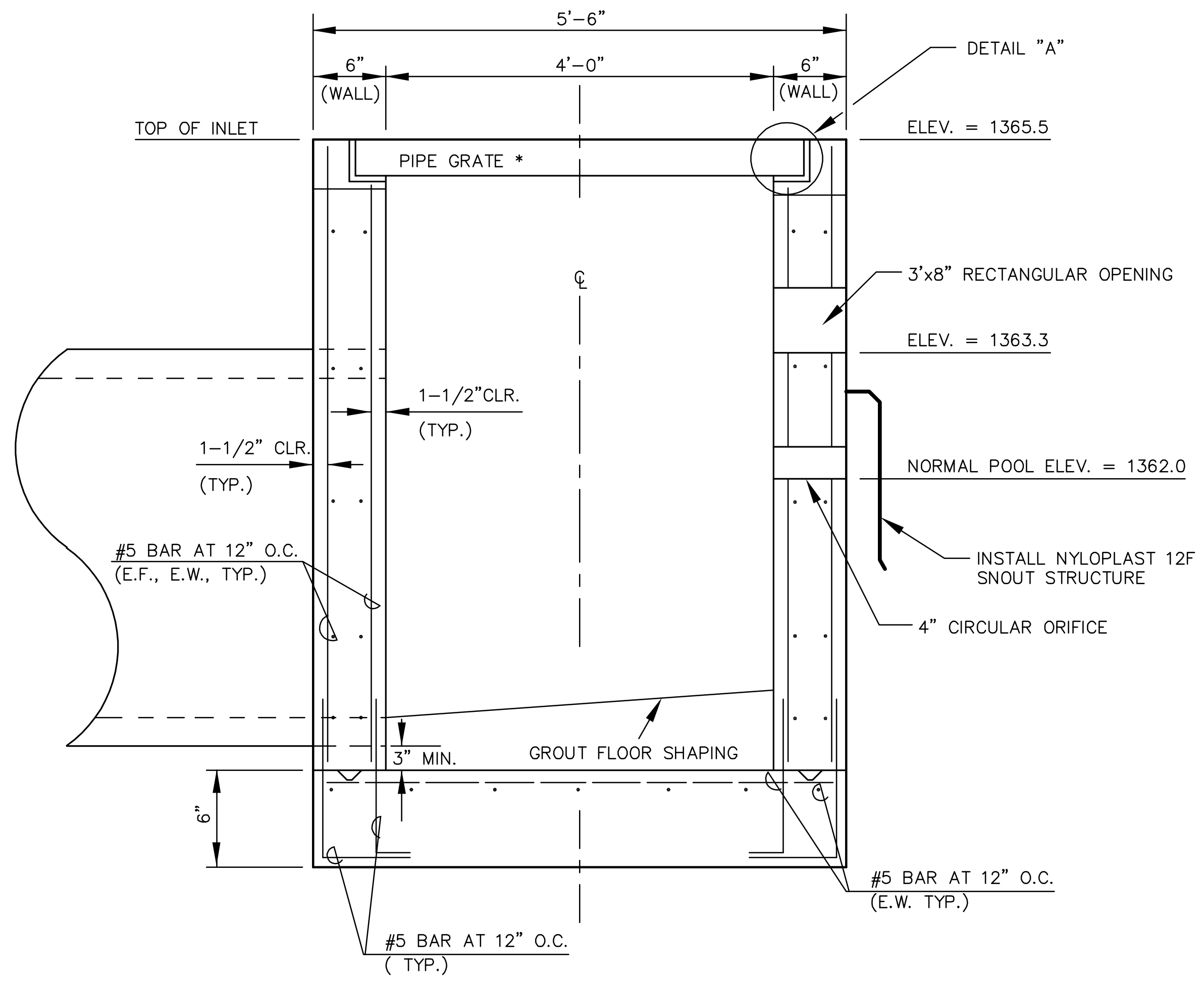


NOTE:
CUT REINFORCING AS REQUIRED TO CLEAR RCP.

TYPICAL REINFORCING AT PIPE

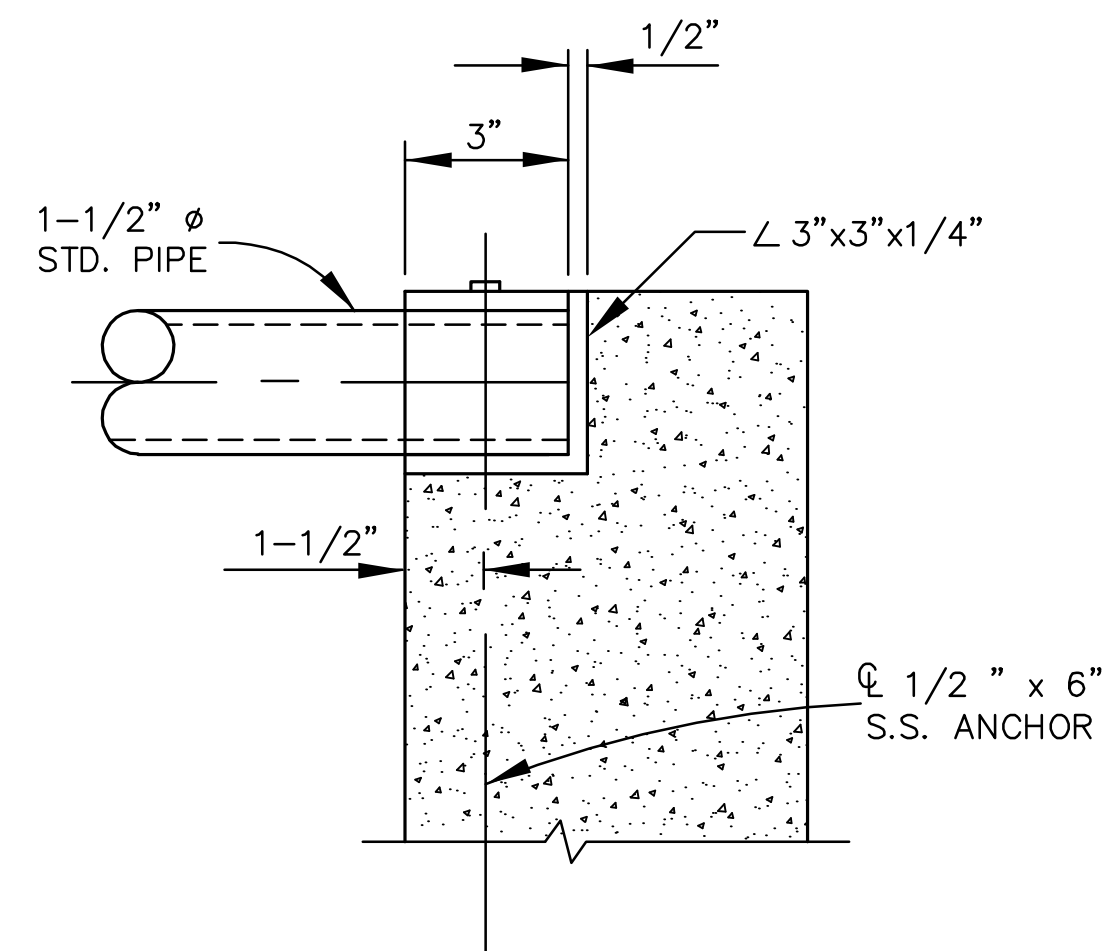
MATERIAL SPEC'S

- MORTAR - TYPE "M"
- BRICK - ASTM C62 GRADE MW
- STEEL - ASTM A36 OR EQUIVALENT
- GALV. - ASTM A-123 STDS.
- CONCRETE - $f'_c = 4,000$ PSI MINIMUM WITH 6 SACKS OF CEMENT PER CUBIC YARD MINIMUM.



ELEVATION VIEW

REINFORCED CONCRETE AREA INLET



NOTE:
FABRICATED STEEL GRATING SHALL BE GALVANIZED AS SPECIFIED BY ASTM A-123.

DETAIL "A"

ORIFICE EQUATION				
$Q = C \cdot A \cdot \sqrt{2gh}$				
h (DEPTH)	2g	C	A	Q
0.5	64.4	0.7	8.625	34.3 cfs
1.0	64.4	0.6	8.625	41.5 cfs
2.0	64.4	0.6	8.625	58.7 cfs
2.0	64.4	0.7	8.625	68.5 cfs
3.0	64.4	0.6	8.625	71.9 cfs
4.0	64.4	0.6	8.625	83.1 cfs
5.0	64.4	0.6	8.625	92.9 cfs
6.0	64.4	0.6	8.625	101.7 cfs
7.0	64.4	0.6	8.625	109.9 cfs
8.0	64.4	0.6	8.625	117.5 cfs

AREA INLET
SHEET TITLE
468-84771
PROJECT NUMBER

MKEC / MKEC / MKEC
DESIGNED DRAWN CHECKED

ISSUED
August 2011
REVISED

SHEET NO.
5 of 25