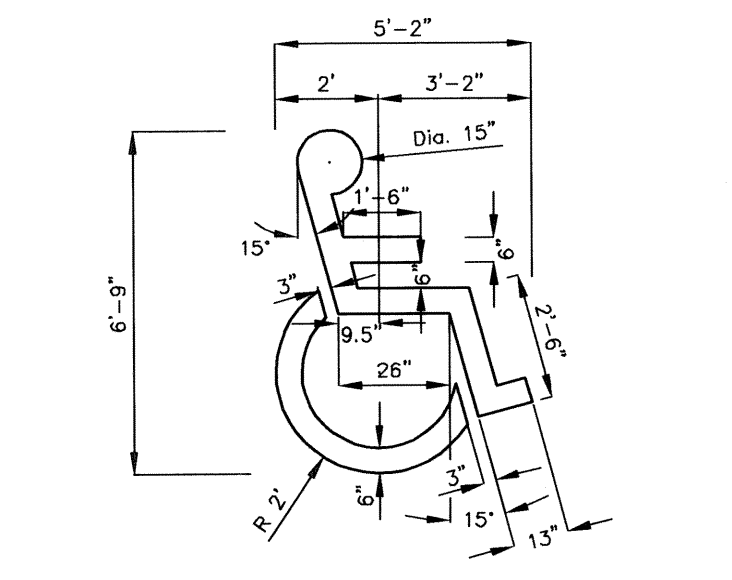
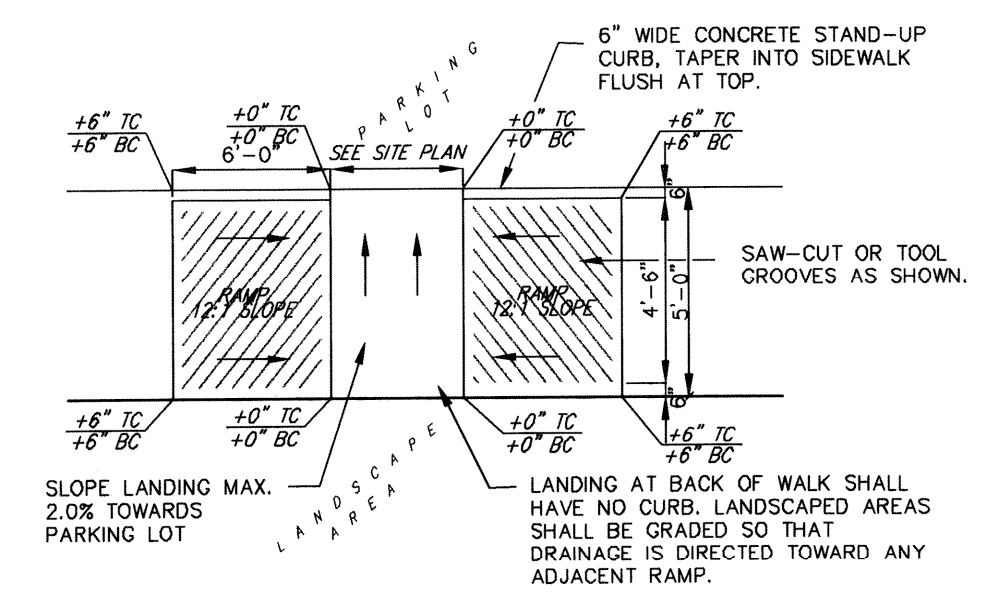


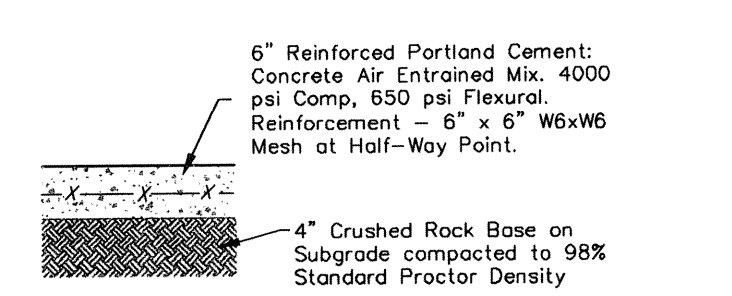
1 HANDICAP PARKING SIGN DETAIL
NOT TO SCALE



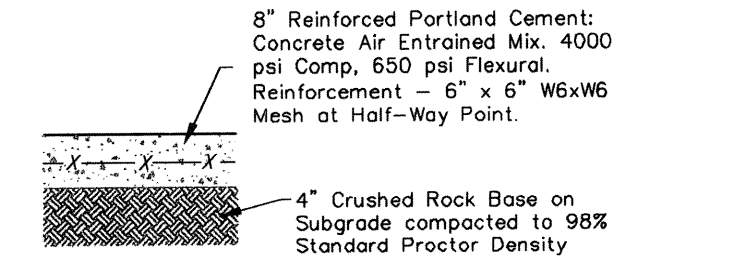
2 HANDICAP PAV. MARKING DETAIL
NOT TO SCALE



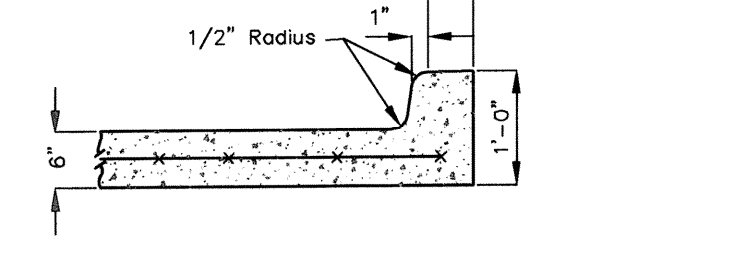
3 HANDICAP RAMP
NOT TO SCALE



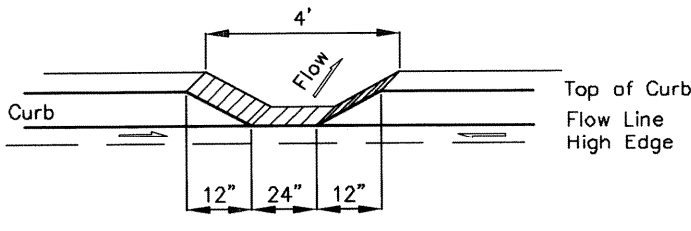
4 6" CONCRETE PAVEMENT
NOT TO SCALE



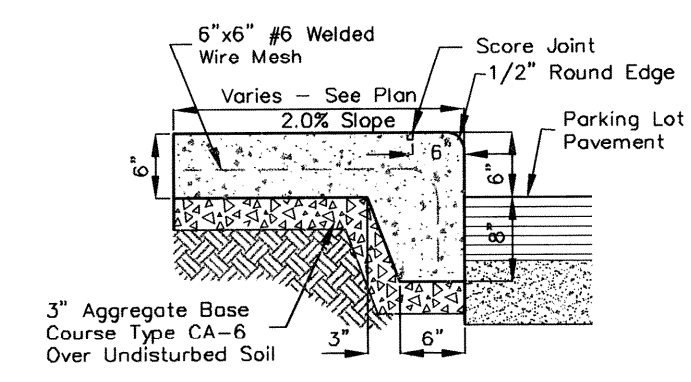
5 8" CONCRETE PAVEMENT
NOT TO SCALE



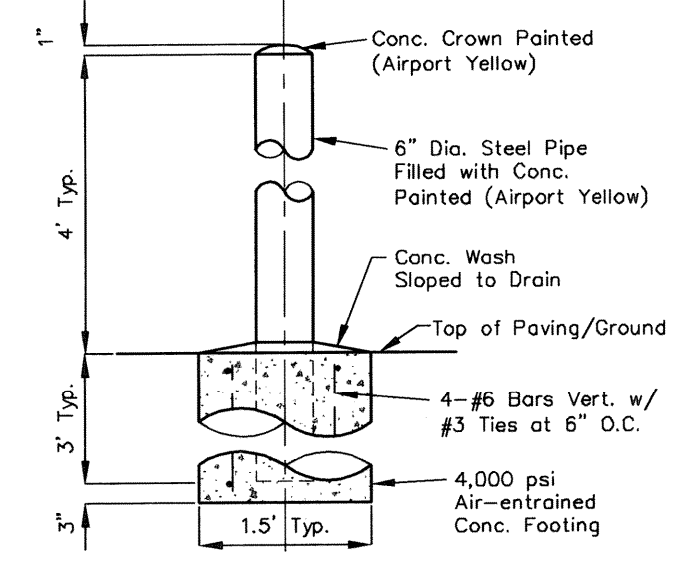
6 MONOLITHIC CURB
NOT TO SCALE



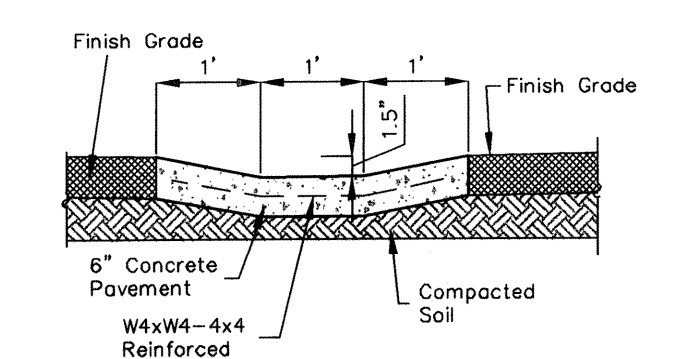
7 TYP. CURB CUT SECTION
NOT TO SCALE



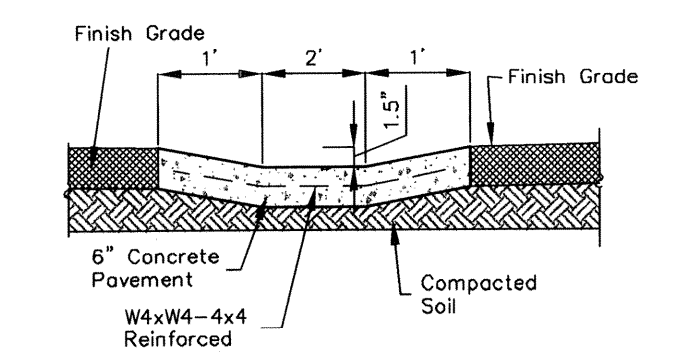
8 CURB-WALK SECTION
NOT TO SCALE



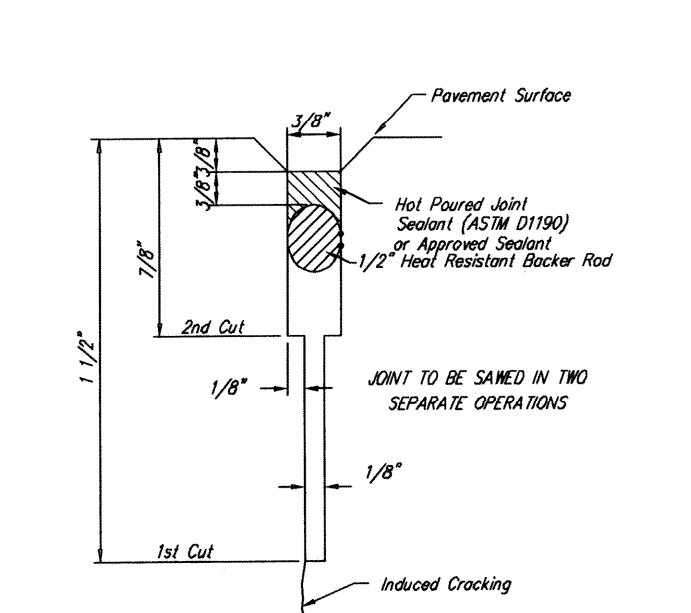
9 TYP. PIPE BOLLARD DETAIL
NOT TO SCALE



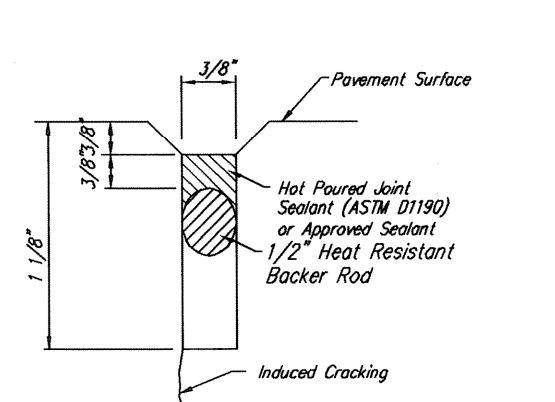
10 3' WIDE CONCRETE FLUME
NOT TO SCALE



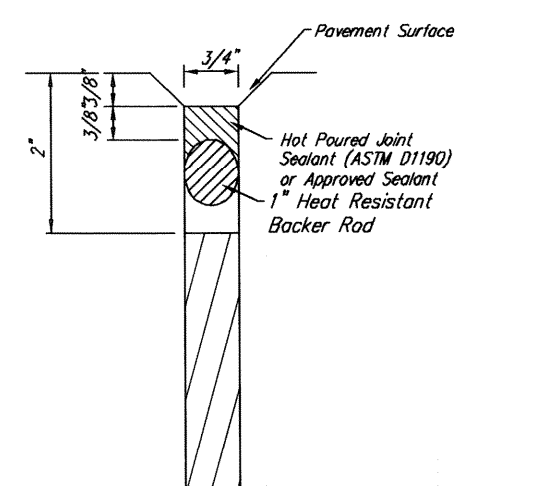
11 4' WIDE CONCRETE FLUME
NOT TO SCALE



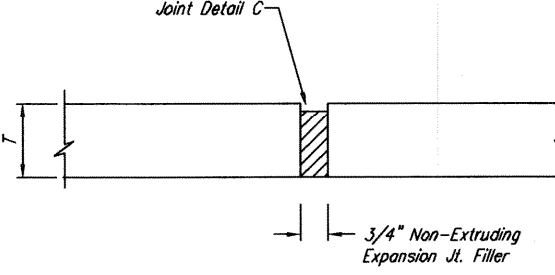
12 SAW JOINT DETAIL "A"
NOT TO SCALE



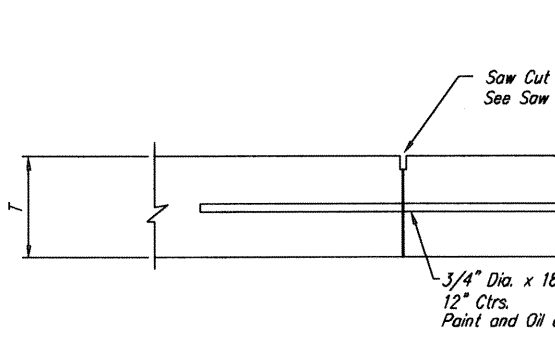
13 SAW DETAIL "B"
NOT TO SCALE



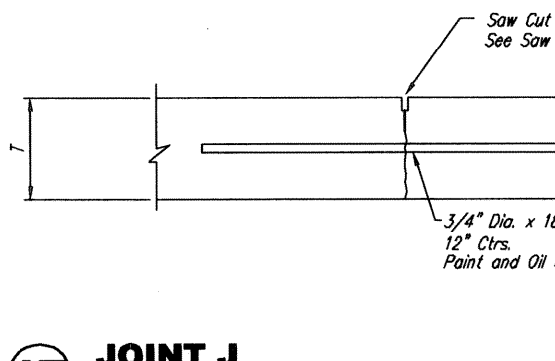
14 JOINT DETAIL "C"
NOT TO SCALE



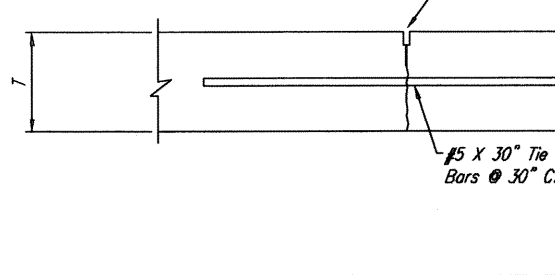
15 JOINT B
NOT TO SCALE



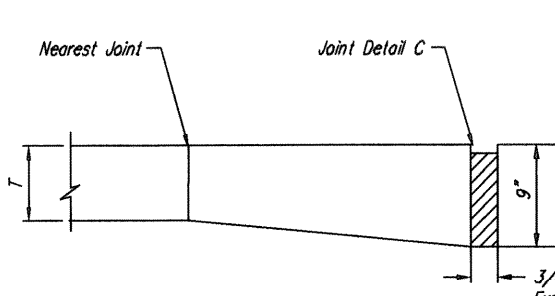
16 JOINT D
NOT TO SCALE



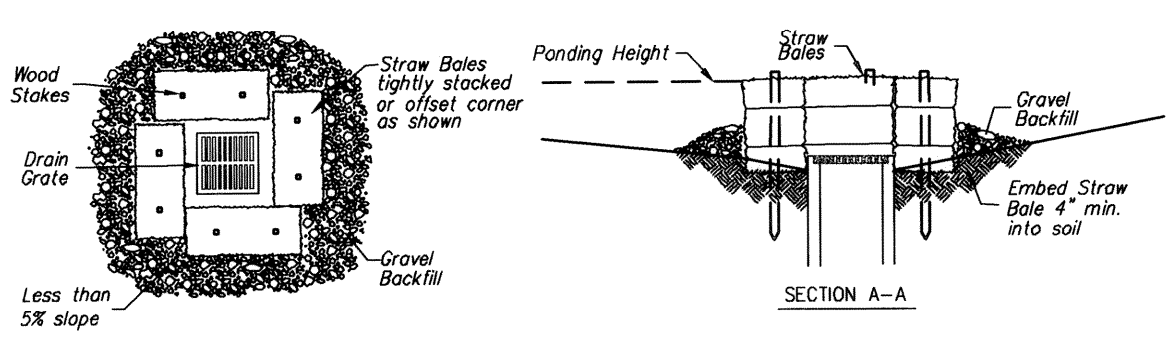
17 JOINT J
NOT TO SCALE



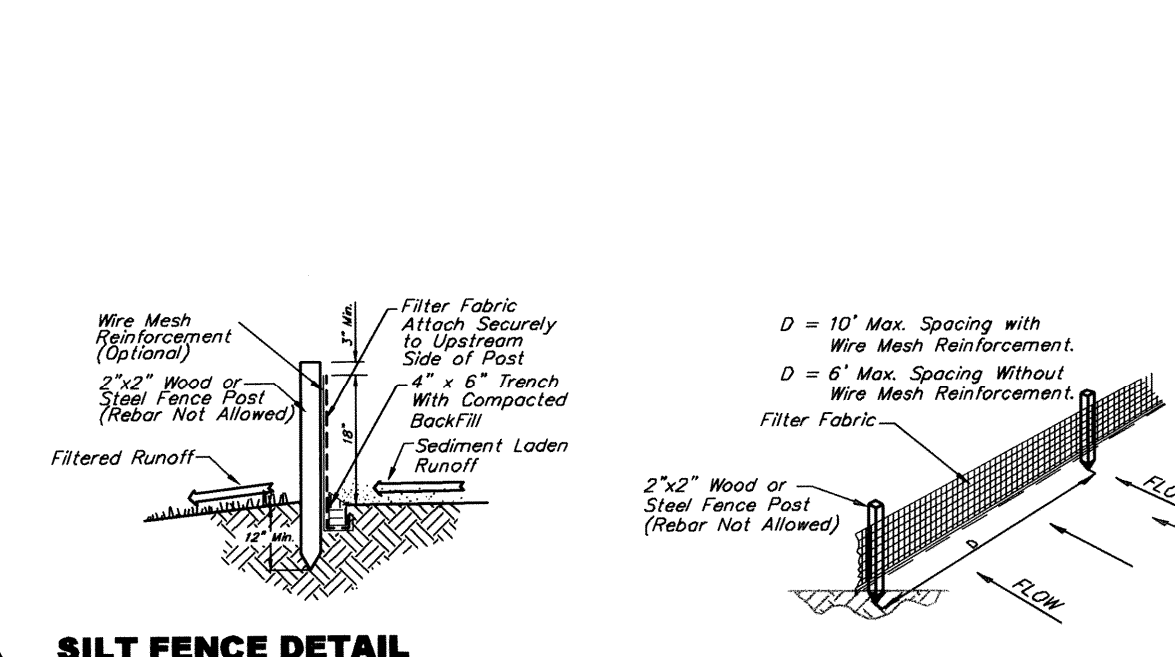
18 JOINT G (TIED) GU (UNTIED)
NOT TO SCALE



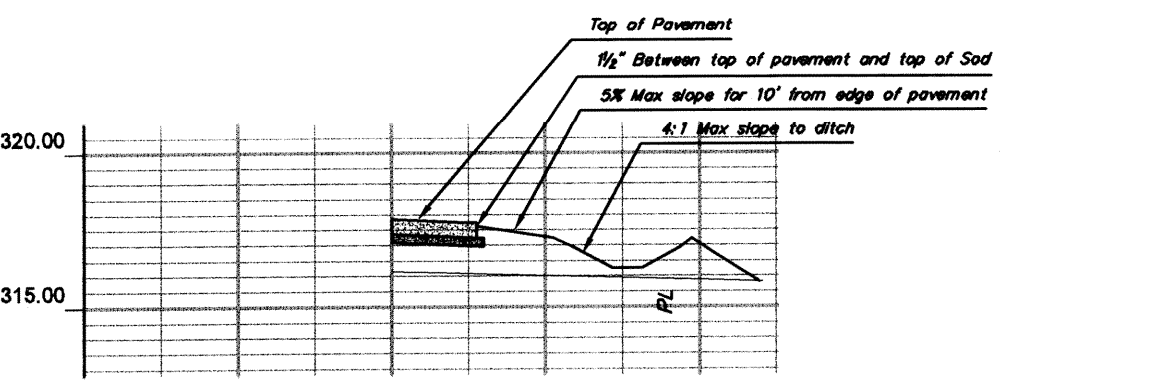
4 JOINT T
NOT TO SCALE



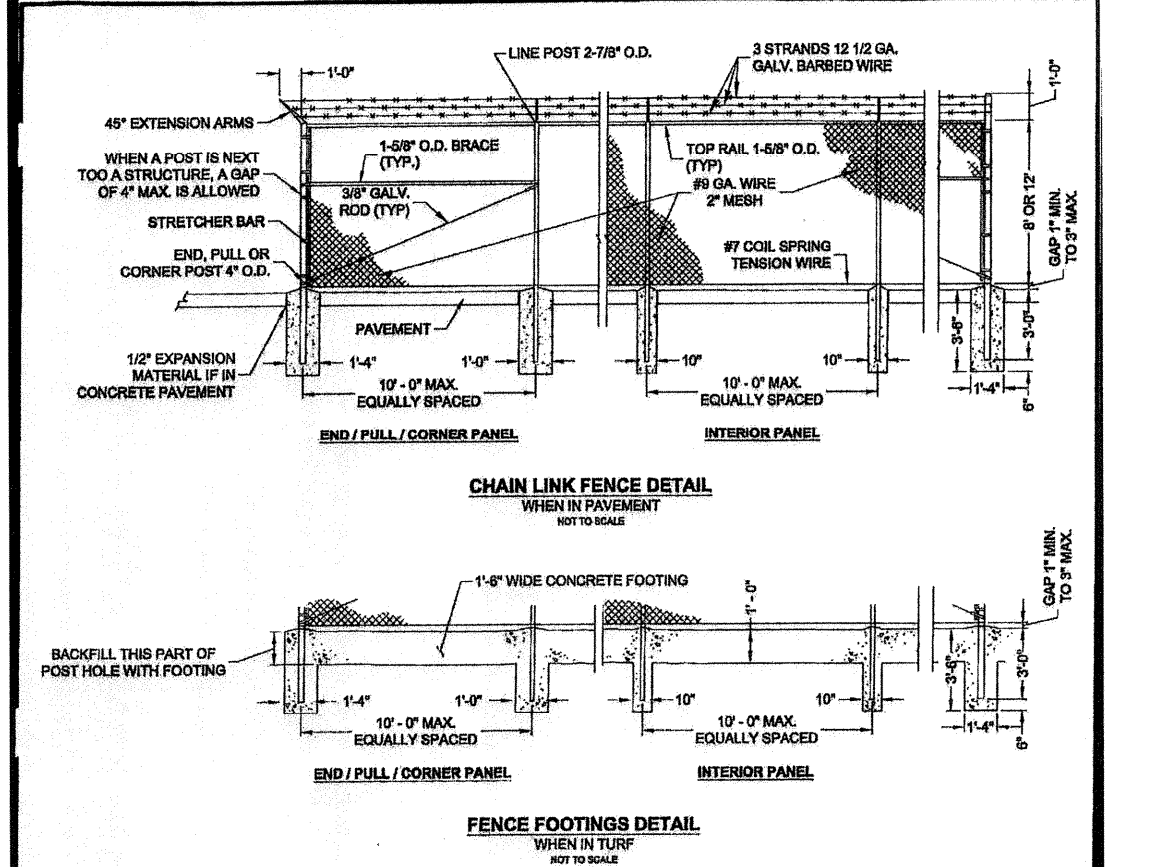
20 STRAW BALE BARRIERS FOR AREA INLETS
NOT TO SCALE



21 SILT FENCE DETAIL
NOT TO SCALE



22 SECTION AA
NOT TO SCALE



SECURITY FENCE DETAILS
WICHITA MID-CONTINENT AIRPORT
THE WICHITA AIRPORT AUTHORITY
WICHITA, KANSAS

NOTES:
1. UNLESS OTHERWISE SHOWN DRILL HOLES IN EXISTING PAVEMENT TO INSTALL FENCE POST FOOTINGS.
2. FENCE SHALL BE GROUNDED, UNLESS OTHERWISE NOTED. THE GROUND SHALL BE A COPPER CLAD STEEL ROD 8 FEET LONG AND A MINIMUM OF 88 INCH DIAMETER DRIVEN VERTICALLY UNTIL THE TOP IS 1'-0" BELOW THE GROUND SURFACE. A #8 SOLID COPPER CONDUCTOR SHALL BE CLAMPED TO THE ROD AND TO THE FENCE IN SUCH A MANNER THAT EACH ELEMENT OF THE FENCE IS GROUNDED. PLACE ON THE SECURED SIDE OF THE FENCE.
3. POSTS, BRACERS, THE ROD, WIRE TIE, GROUNDING ROD SHALL BE ON THE SECURED SIDE OF THE FENCE.
4. BARBED WIRE EXTENSION ARMS TO LEAN AWAY FROM THE SECURED SIDE OF THE FENCE.
5. INSTALL FULL PANELS AT CHANGES IN FENCE DIRECTION.
6. TUBING ZINC COATING SHALL BE 1.0 OZ PER S.F. OF COATED SURFACE AREA, EXTERIOR AND INTERIOR OF PIPE.
7. PROVIDE BRACE PANELS WHENEVER STRAIGHT RUNS EXCEED 500 FEET.

DATE	DR. BY	SCALE	SHEET
12/28/10	H.G.O.	N/A	1 of 1

Reference Only
NOT TO SCALE

Baughman Fugate Airport Lease
Civil Details
New Hangar Facility

Baughman Company, P.A. 315 Ellis St. Wichita, KS 67211 P: 316-262-7771 F: 316-262-0149
ENGINEERING | SURVEYING | PLANNING | LANDSCAPE ARCHITECTURE

PROJECT NUMBER	DESIGN	DRAWN
33 PPD (607861)	NEW	SKCB
REVISIONS:	APPROVED	DATE
	NBW	June 6, 2011
	SCALE	
	1" = 30'	
	SHEET	
	6 OF 6	

E:\P\p\Fugate Facility...10-10-E563\VA Stuphan.dwg 10-10-E563

Baughman Site Grading Plan
Mid-Continent Airport Addition
Lot 1, Block 2

Baughman Company, P.A. 315 Ellis St. Wichita, KS 67211 P: 316-262-7771 F: 316-262-0149
ENGINEERING | SURVEYING | PLANNING | LANDSCAPE ARCHITECTURE

PROJECT NUMBER	DESIGN	DRAWN
33 PPD (607861)	NEW	SKCB
REVISIONS:	APPROVED	DATE
	NBW	7/11
	SCALE	
	No Scale	
	SHEET	
	7 OF 9	

Fugate Facility Site Plans 10-10-E363\Engineering\PPD 10-10-E563