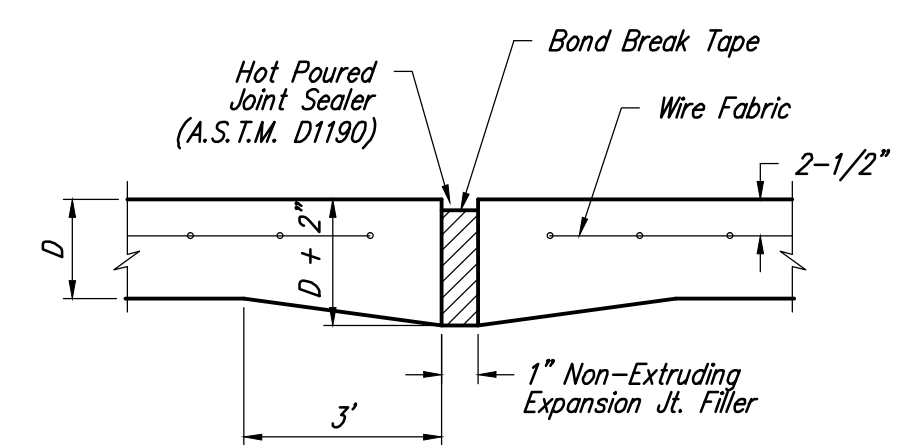
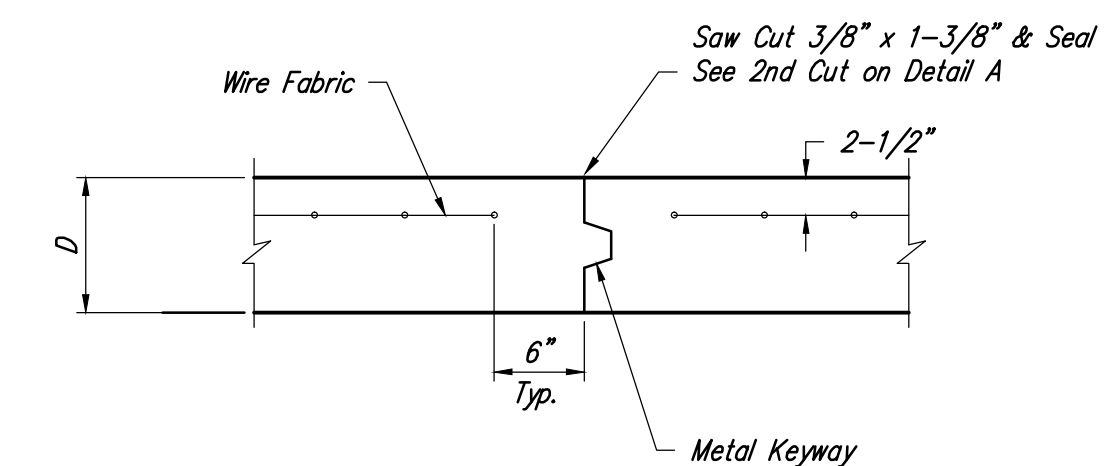


STATE	PROJECT NO.	YEAR	SHEET NO.	TOTAL SHEETS
KANSAS	87 N-0243-01	2005	30	169
Federal Aid No. STP N024(301)				

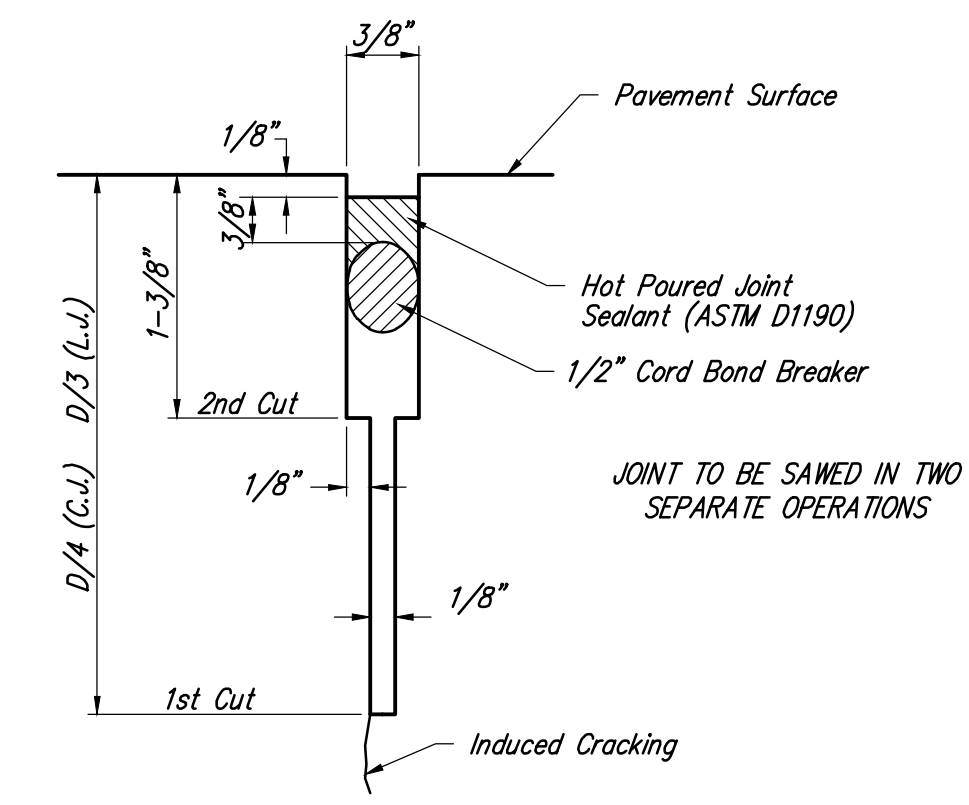


EXPANSION JOINT

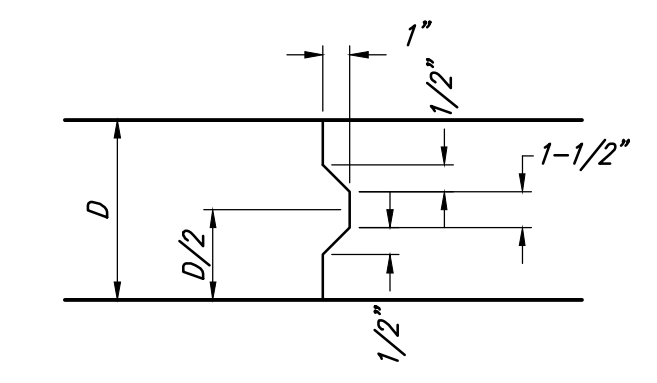
NOTE: Extra Thickness to be Subsidiary to Price of Square Yards Pavement



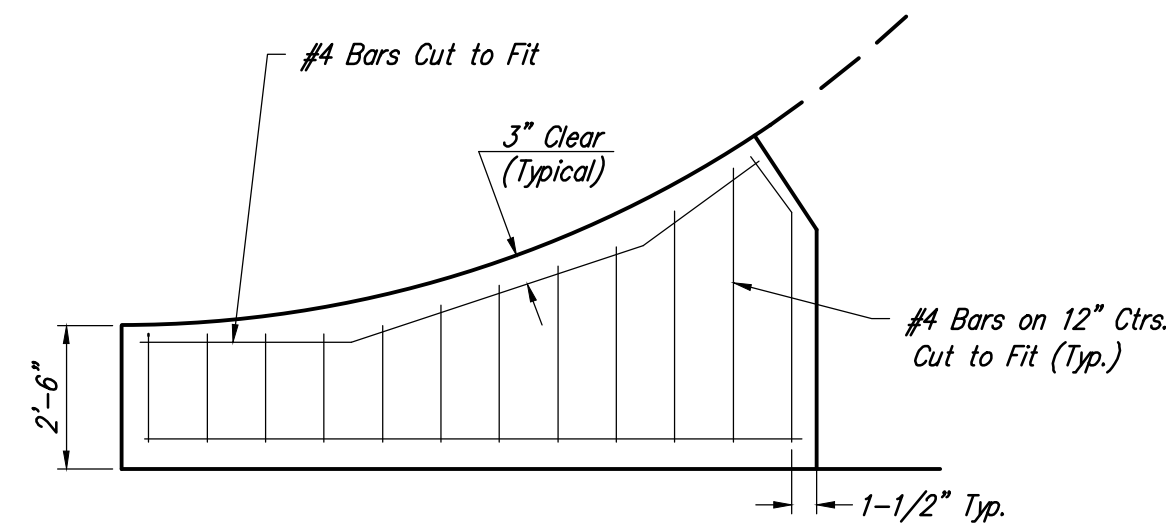
OPTIONAL CONTRACTION JOINT



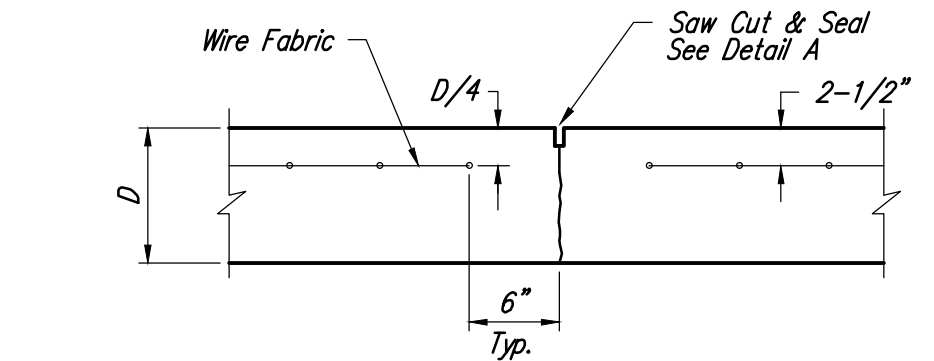
SAW JOINT DETAIL



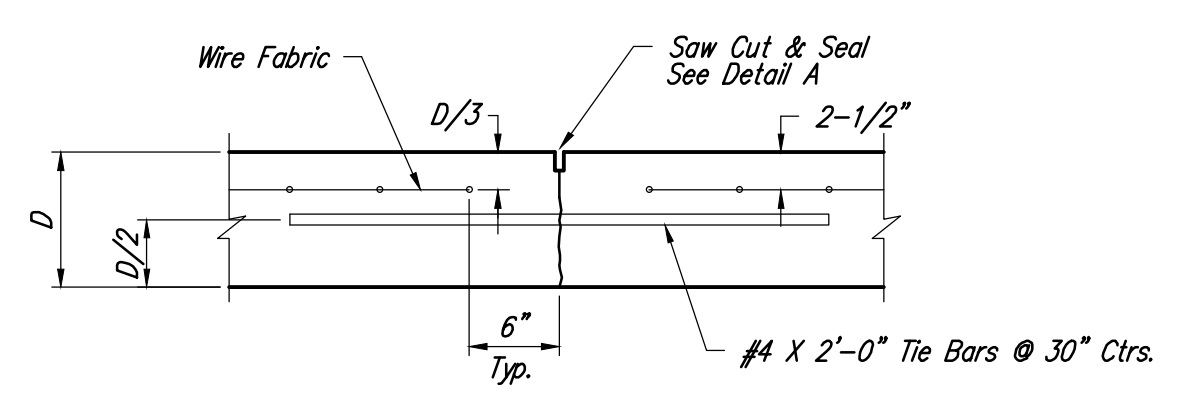
KEYWAY DETAIL



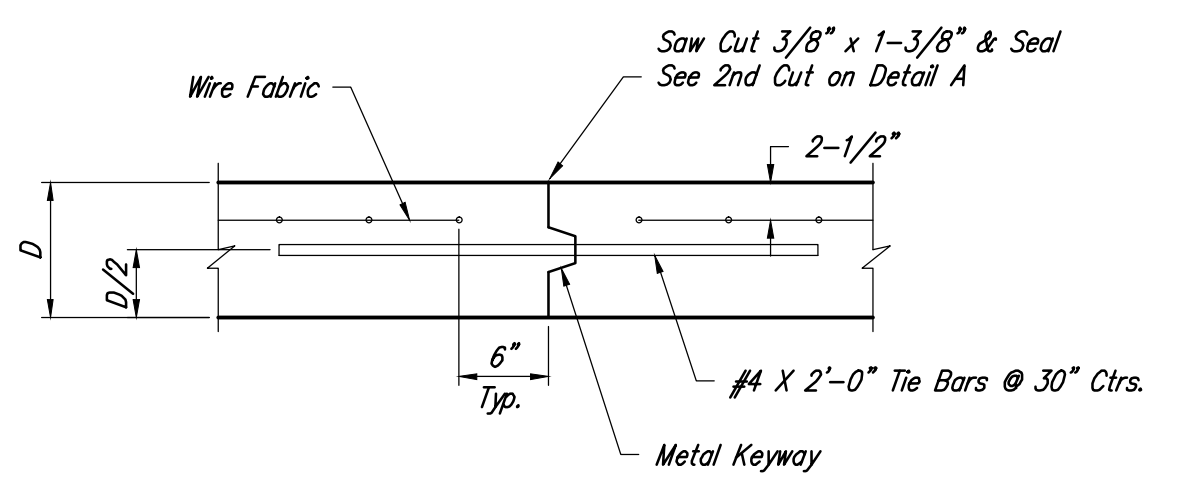
WING REINFORCING DETAIL



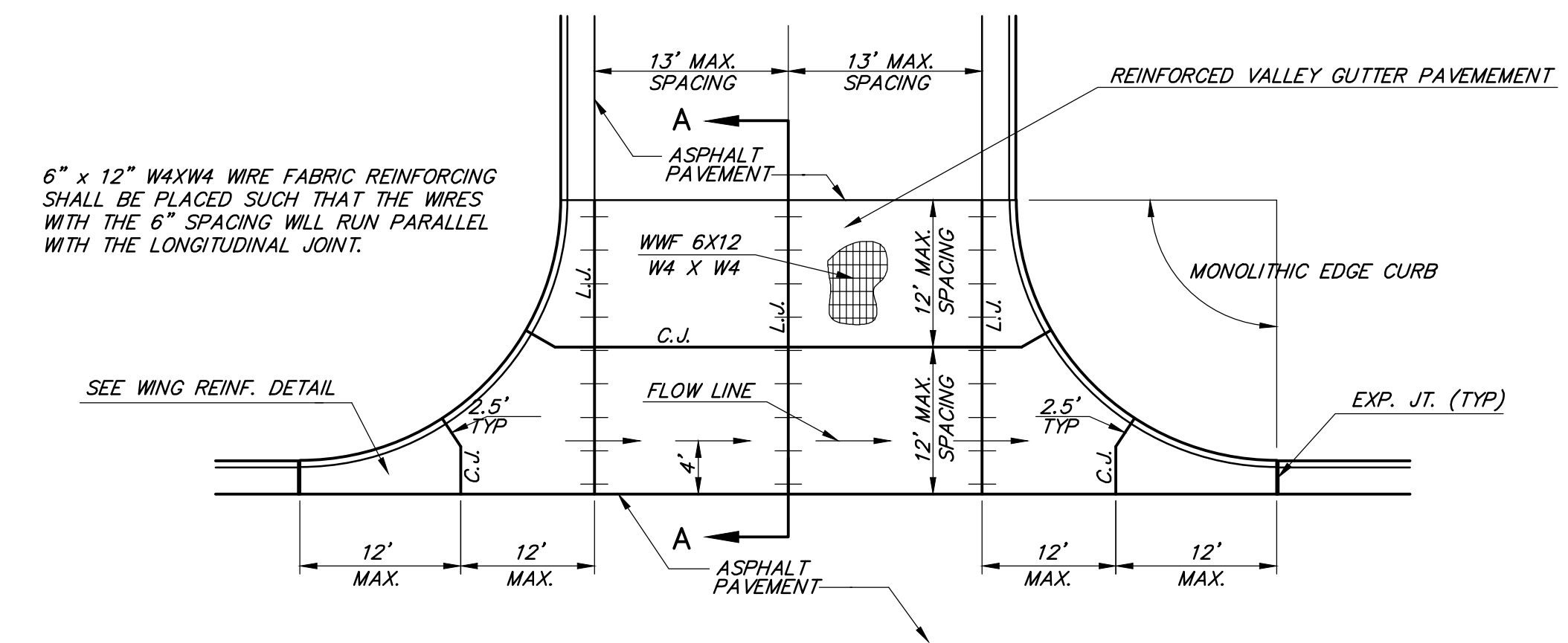
CONTRACTION JOINT DETAIL (C.J.)



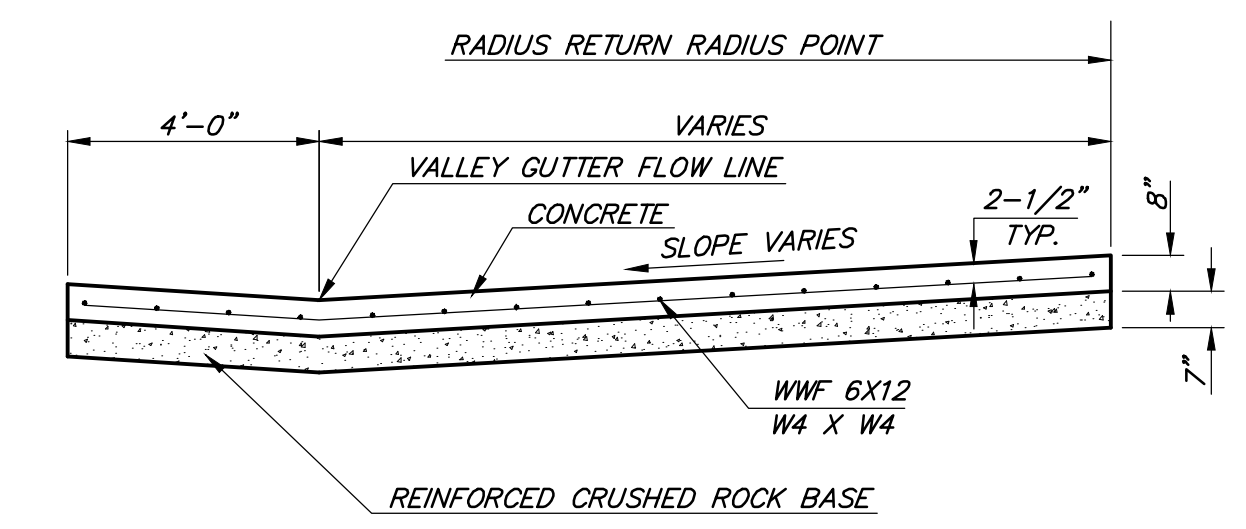
LONGITUDINAL JOINT DETAIL (L.J.)



OPTIONAL LONGITUDINAL JOINT DETAIL (L.J.)



PLAN



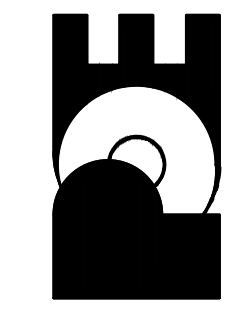
SECTION A-A

REINFORCED VALLEY GUTTER DETAIL

No.	Date	By	Approved	Revision

SENECA STREET
1-235 TO 31ST STREET
CITY OF WICHITA, KANSAS
VALLEY GUTTER DETAILS

POE & ASSOCIATES, INC.
CONSULTING ENGINEERS
5940 E. Central, Suite 200 | Wichita, KS
67208-4242
Phone: 316/685-4114 | FAX: 316/685-4444



Engineer: P. FERGUSON
Designer: J. UNRUH
KDOT Job No.: 87 N-0502-01
Date: JANUARY 2010
Poe Job No.: 1794