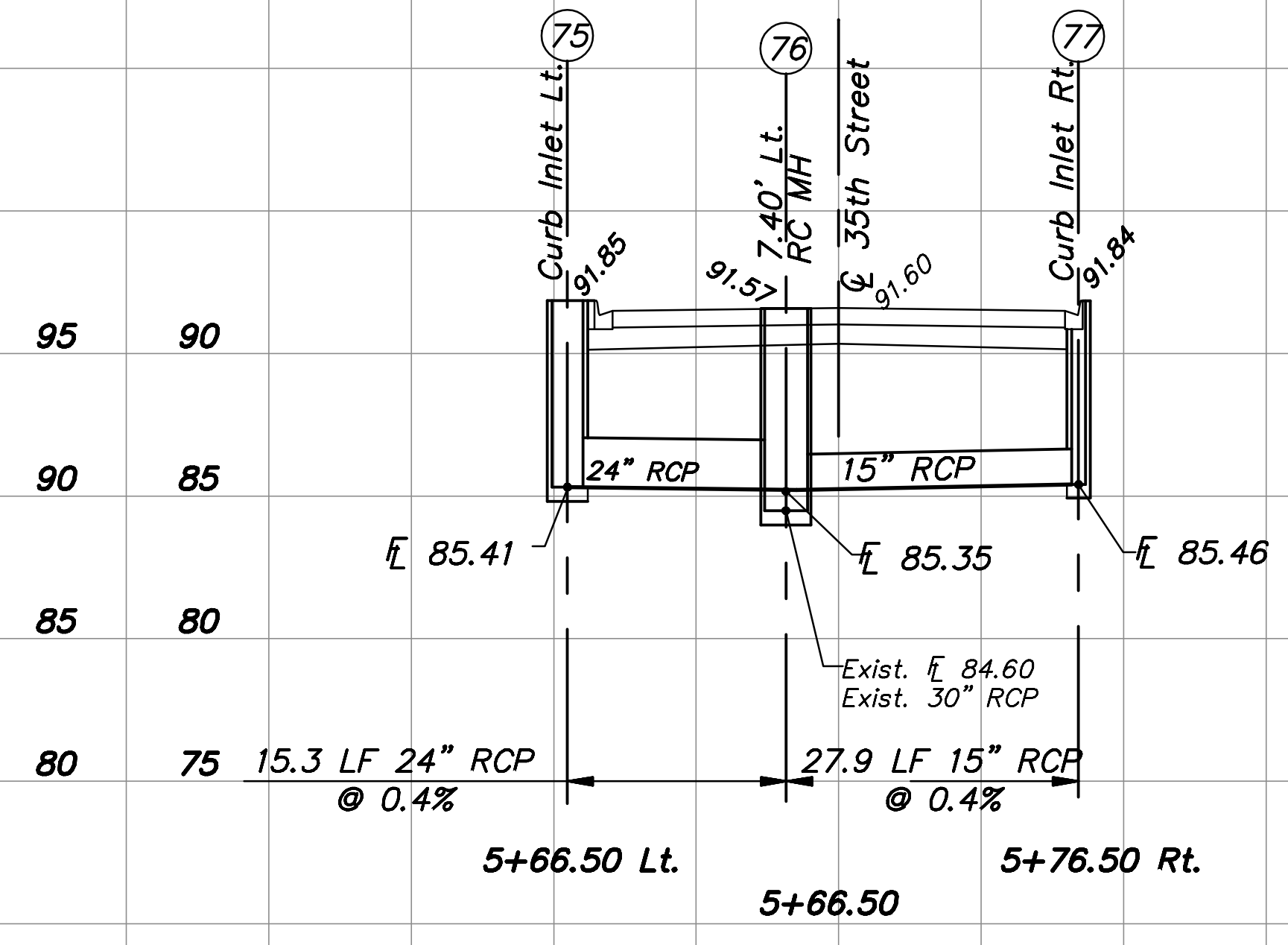
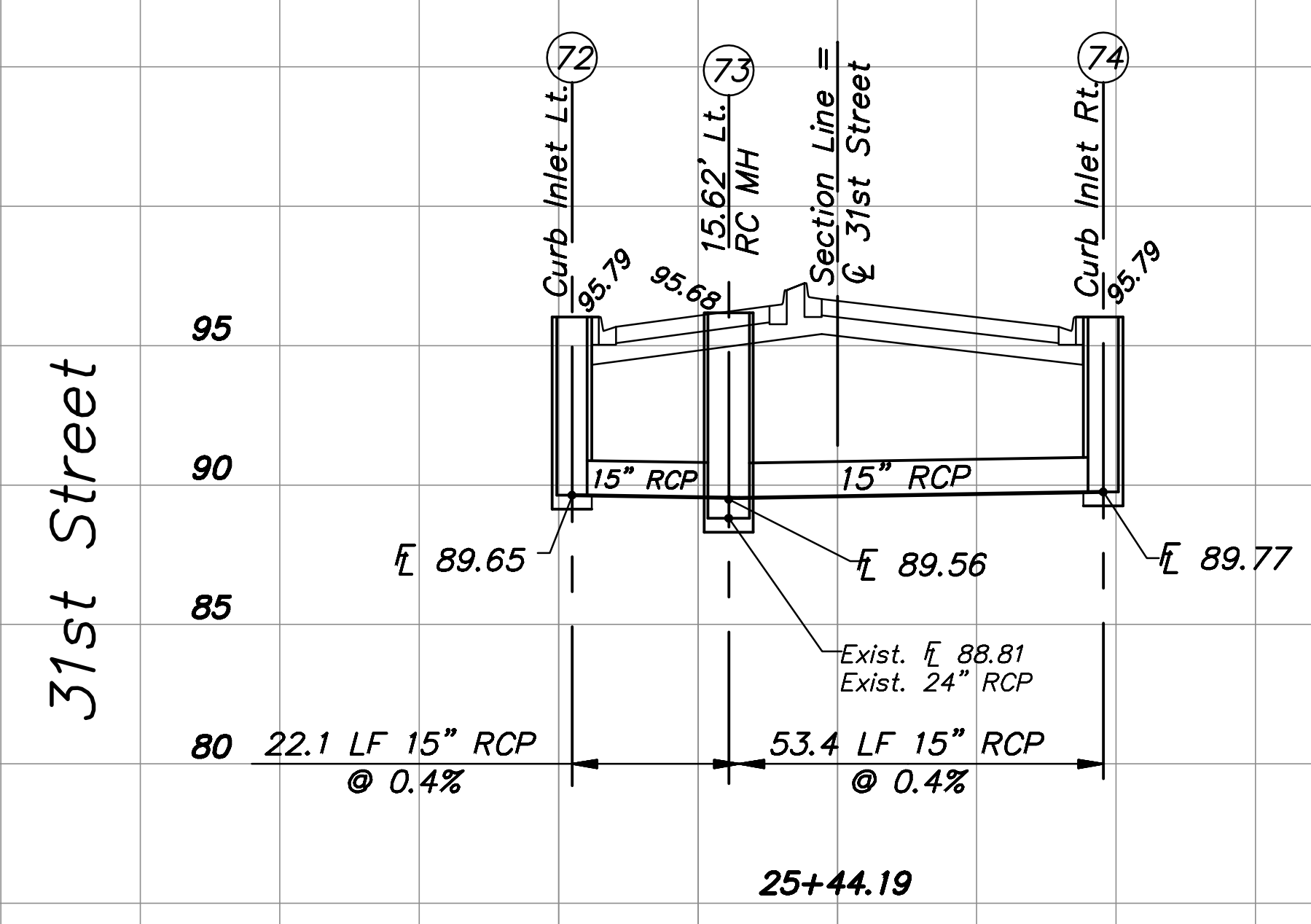
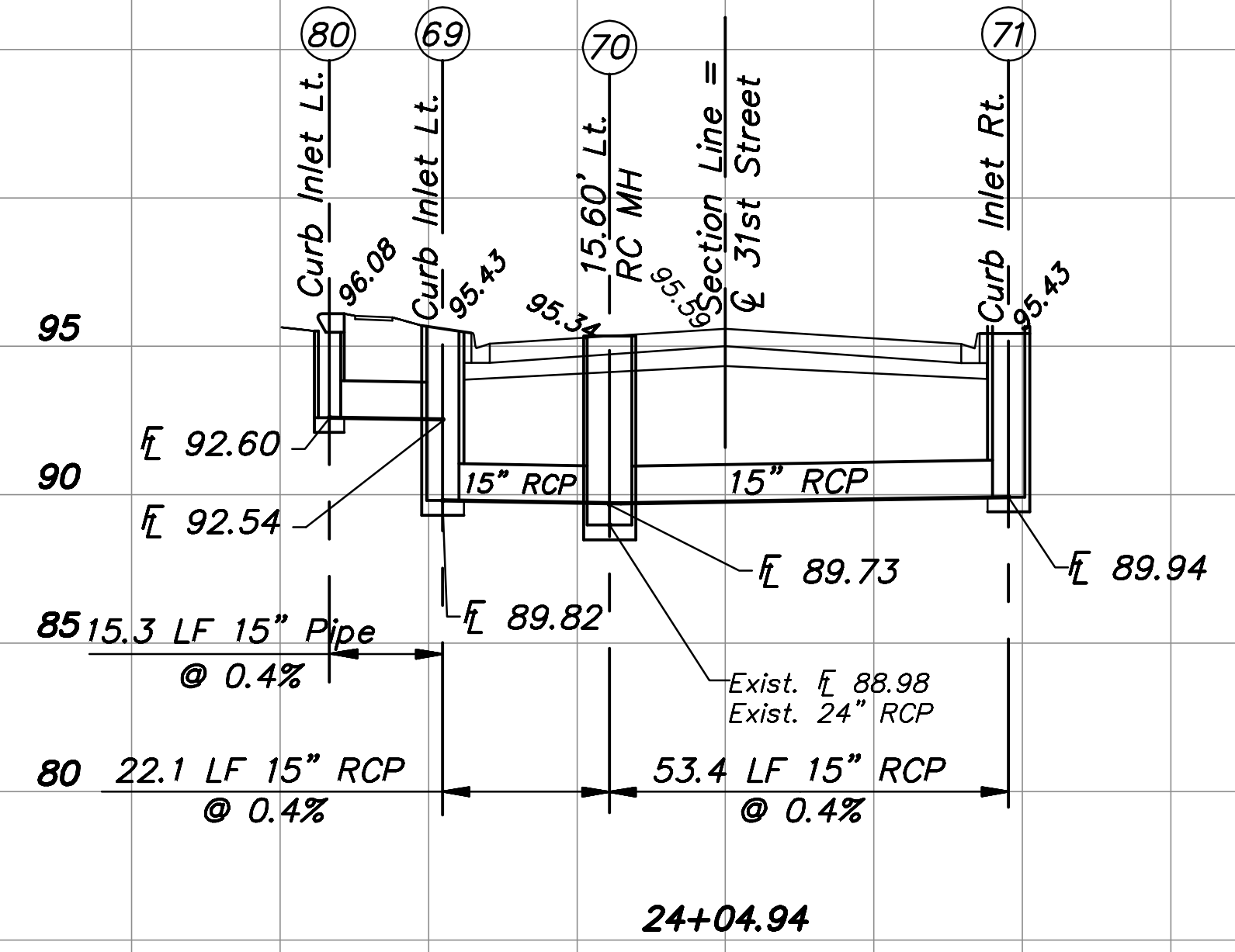
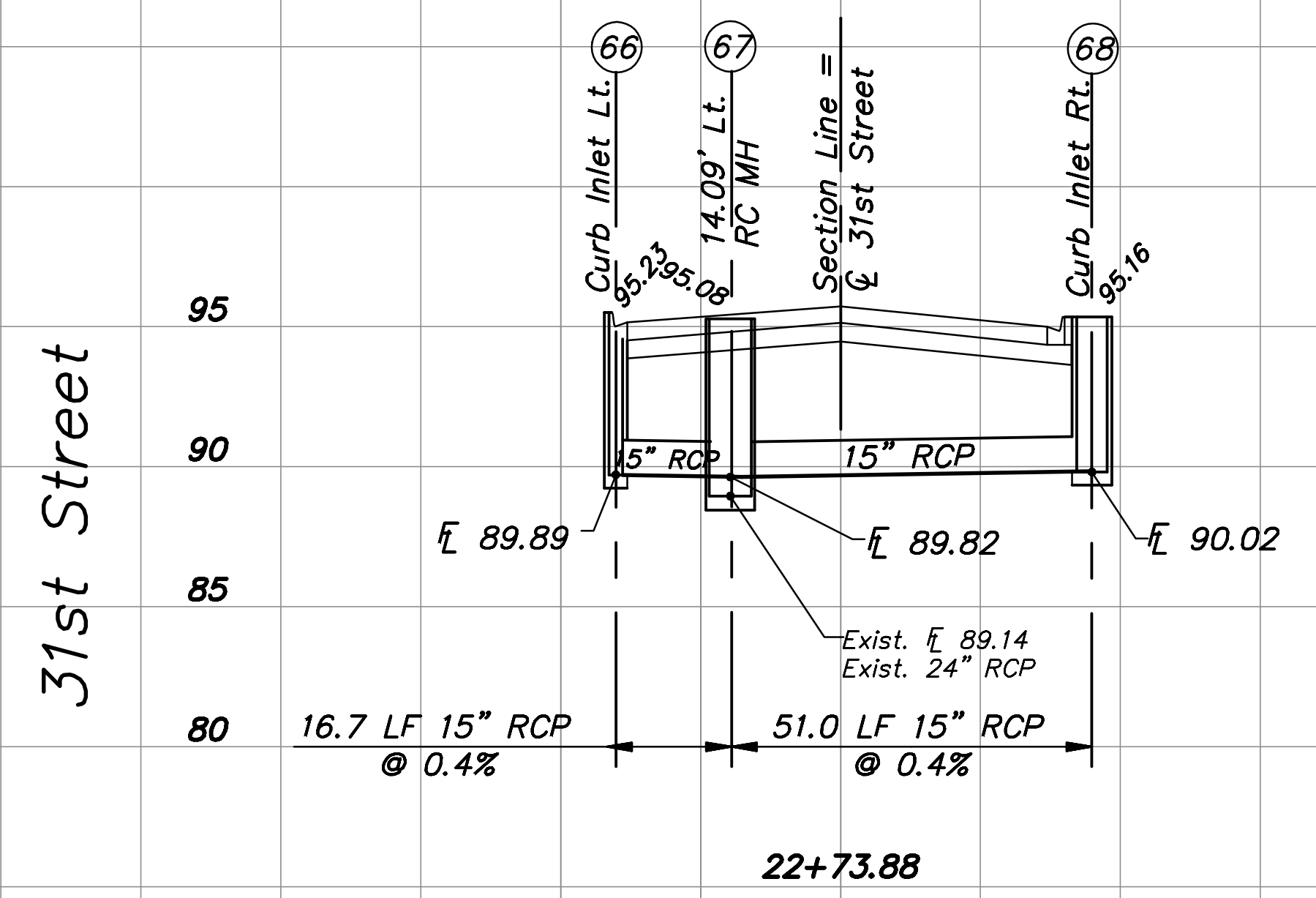
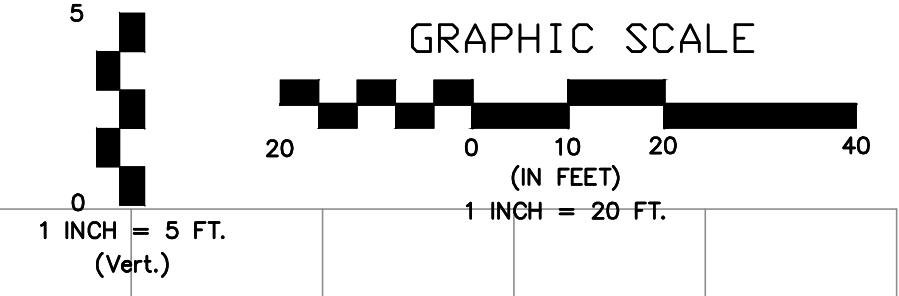


STATE	PROJECT NO.	YEAR	SHEET NO.	TOTAL SHEETS
KANSAS	87 N-0243-01	2005	62	169
Federal Aid No. STP N024(301)				



No.	Date	By	Approved	Revision

SENECA STREET
1-235 TO 31ST STREET
CITY OF WICHITA, KANSAS
STORM SEWER PLAN AND PROFILE
CROSS ROAD PROFILES

POE & ASSOCIATES, INC.
CONSULTING ENGINEERS
5940 E. Central, Suite 200 Wichita, KS
67208-4242
Phone: 316/685-4114 FAX: 316/685-4444

FINAAL

Engineer: P. FERGUSON
Designer: J. UNRUH
KDOT Job No.: 87 N-0243-01 Poe Job No.: 1794
Date: JANUARY 2010

Sheet 62 of 169