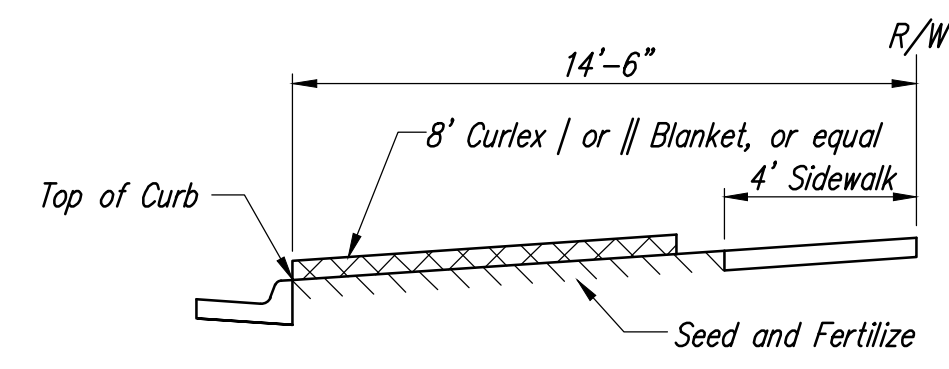
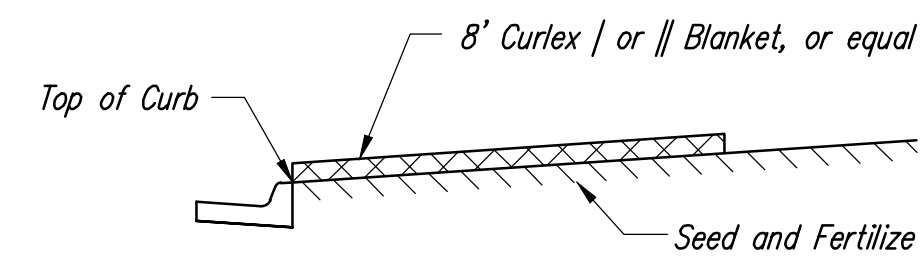


STATE	PROJECT NO.	YEAR	SHEET NO.	TOTAL SHEETS
KANSAS	87 N-0243-01	2005	69	169
Federal Aid No. STP N024(301)				

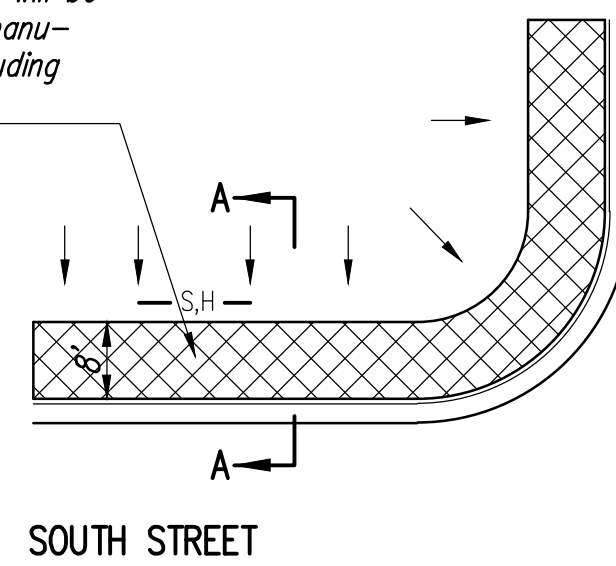


SECTION B-B

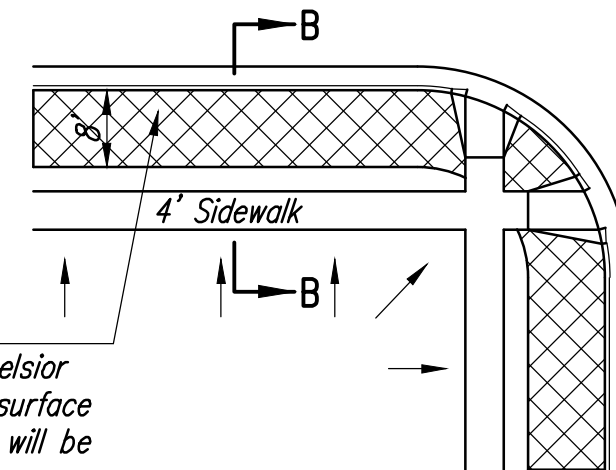


SECTION A-A

Install 8' wide Curlex | or || Excelsior Blanket, or equal, on prepared surface back of curb. Edge of blanket will be at back of curb. Install per manufacturer's recommendation, including staples. (See detail)



SOUTH STREET

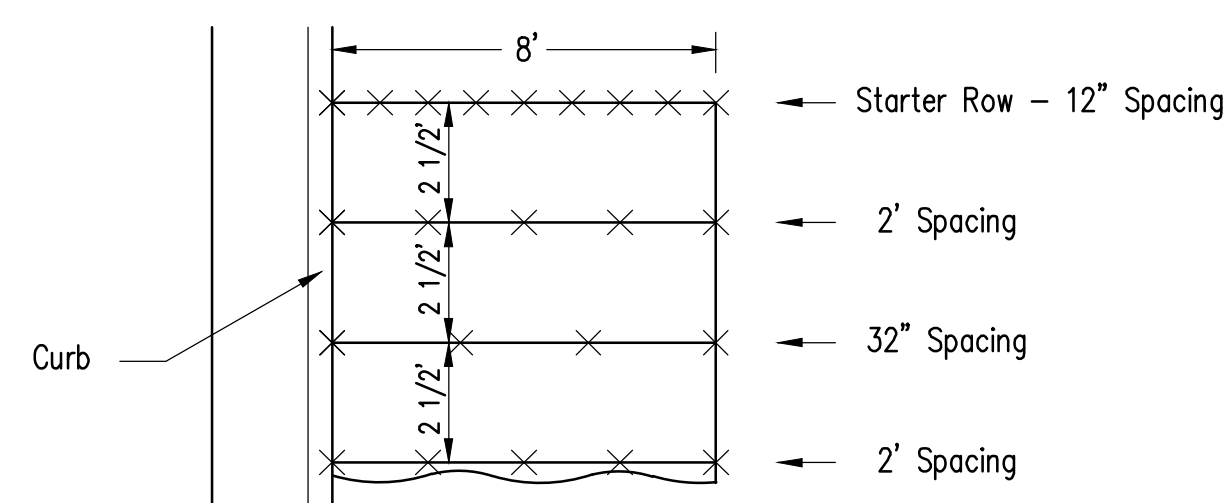


Install 8' wide Curlex | or || Excelsior Blanket, or equal, on prepared surface back of curb. Edge of blanket will be at back of curb. Install per manufacturer's recommendation, including staples. (See detail)

NOTES:

- EXCELSIOR MAT TO BE INSTALLED WHEN SOD IS NOT SPECIFIED ON PROJECT.
- EXCELSIOR BLANKET TO BE INSTALLED OVER SEED AND FERTILIZER, AS SPECIFIED IN THE PROJECT SPECIFICATIONS.
- AFTER INSTALLATION OF EXCELSIOR BLANKET, AT LOCATIONS WHERE CONCENTRATED FLOW CARRIES SEDIMENT OVER THE CURB AND INTO THE GUTTER, SUPPLEMENTAL EROSION CONTROL DEVICES WILL BE INSTALLED BY THE CONTRACTOR AS NEEDED, TO FIX THE PROBLEM.

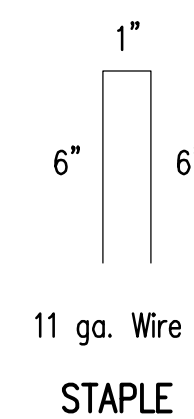
BACK OF CURB PROTECTION DETAIL



STAPLE PATTERN

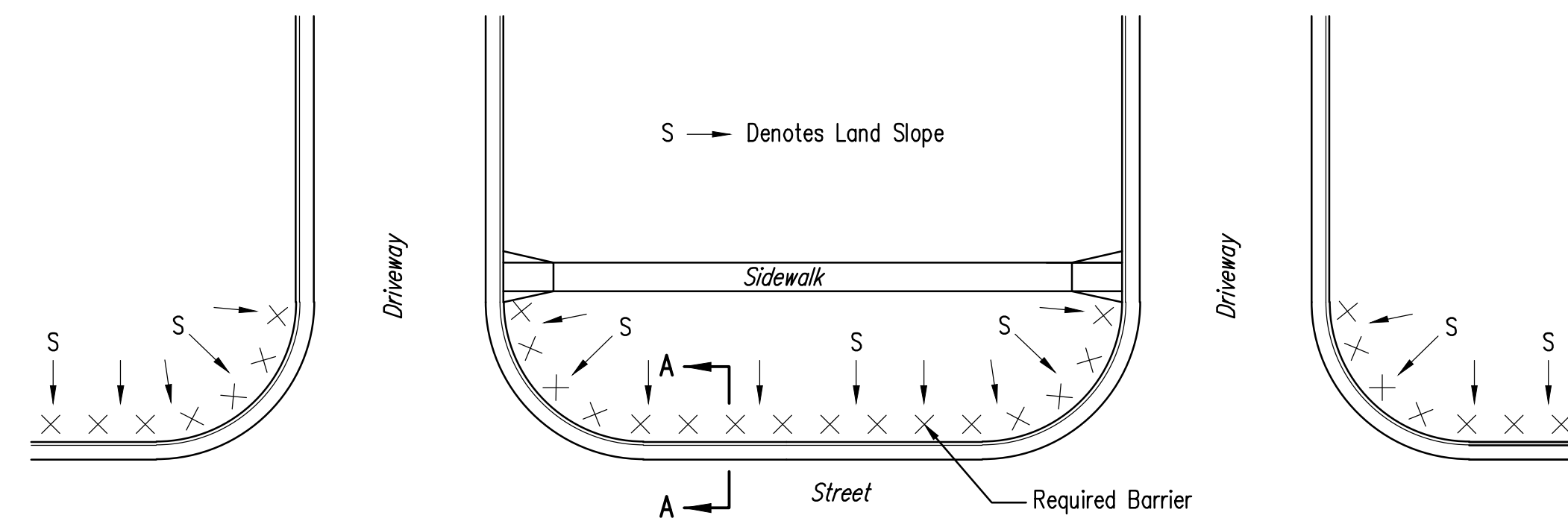
NOTES: Use 6" seam overlap

DETAILS FOR CURLEX | OR || BLANKETS

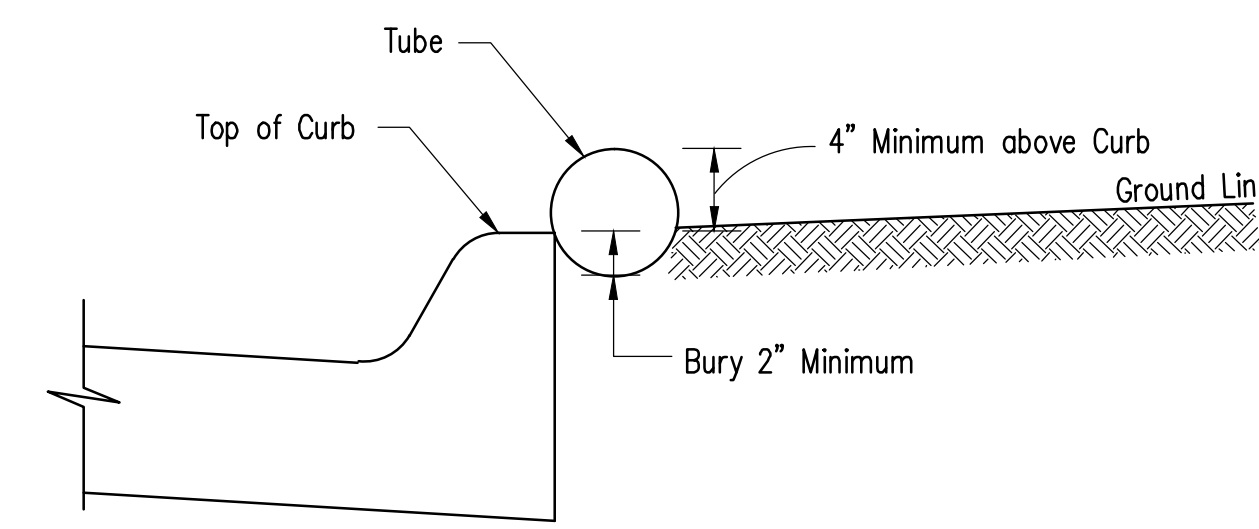


11 ga. Wire

STAPLE



PLAN VIEW



SECTION A-A

NOTES:

- Barriers must be placed back of curb along street and up the driveway sufficiently to catch all sediment from the yard.
- Overlap seams 6 inches
- Anchor to ground every 3.0 feet.
- All tubes shall be constructed of heavy duty netting, rolled erosion control fabric or similar devices filled with a porous material that will allow water to pass while filtering sediment. Tubes shall be 6" to 9" in diameter.
- Remove accumulated sediment when within 2 inches of top of device.
- Replace all broken tubes to maintain effectiveness of device.
- If tubes are removed during the day for access to the site, they will be replaced prior to a rainfall event and at night before work ceases. Replace properly per original design.

TUBE BARRIERS

NOTES: Properly constructed and maintained Silt Fence Barriers or Straw Bale Barriers may be used for back of curb erosion control. See the Soil Erosion BMPs-Barrier Details for additional information.



SOIL EROSION BMPs

BACK OF CURB SEDIMENT BARRIER DETAILS

SCOTT LINDEBAK, P.E.
STORM WATER ENGINEER

PROJECT NUMBER OCA NO.

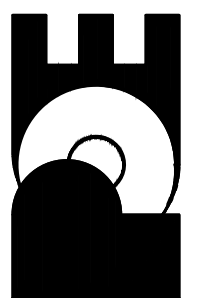
DATE

JULY 2005

No. Date By Approved Revision

SENECA STREET
1-235 TO 31ST STREET
CITY OF WICHITA, KANSAS
SOIL EROSION BMP's
BACK OF CURB SEDIMENT BARRIER DETAILS

POE & ASSOCIATES, INC.
CONSULTING ENGINEERS
5940 E. Central, Suite 200 Wichita, KS
67208-4242
Phone: 316/685-4114 FAX: 316/685-4444



Engineer: P. FERGUSON
Designer: J. UNRUH
KDOT Job No.: 87 N-0502-01
Date: JANUARY 2010
Poe Job No.: 1794

Sheet 69 of 169