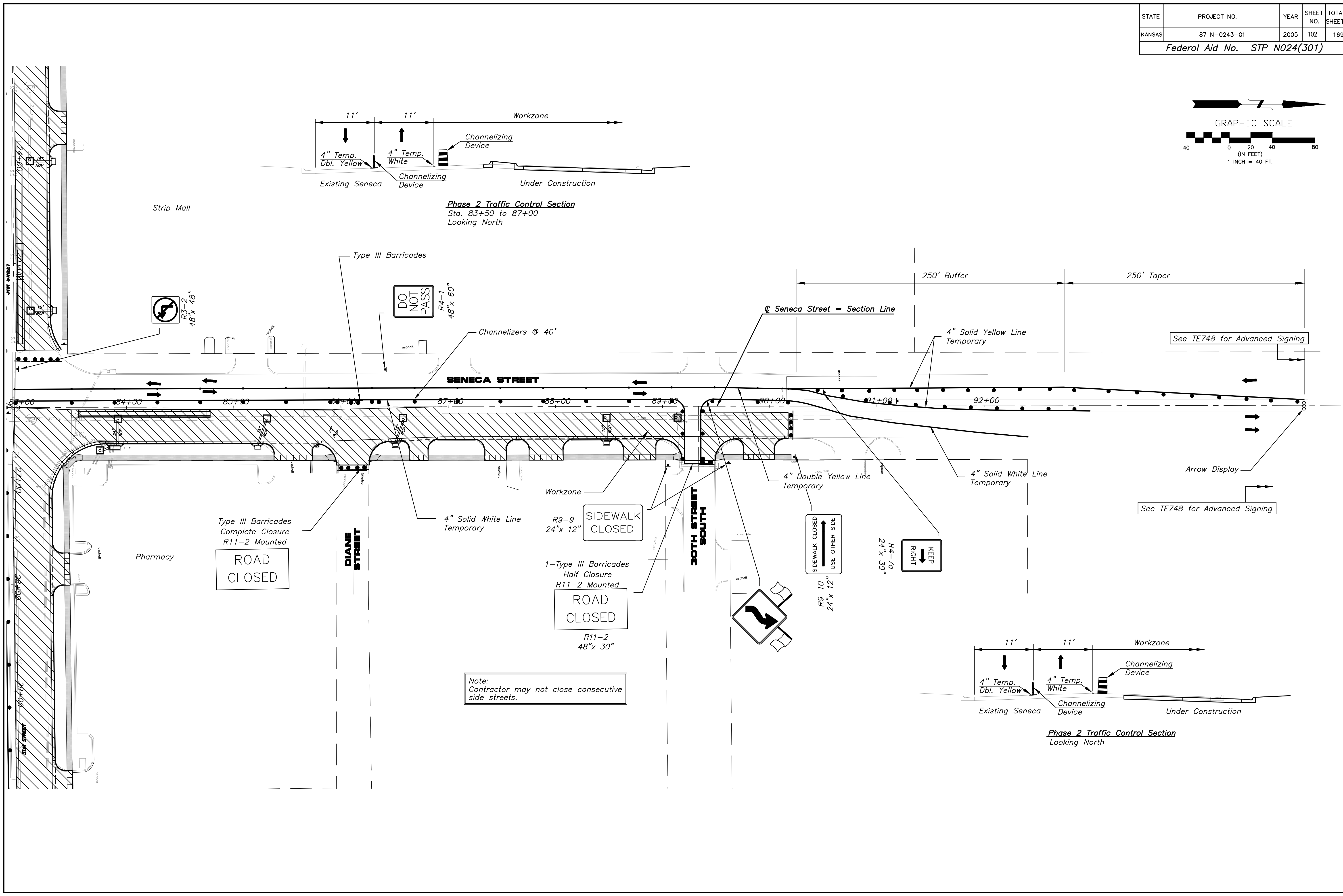
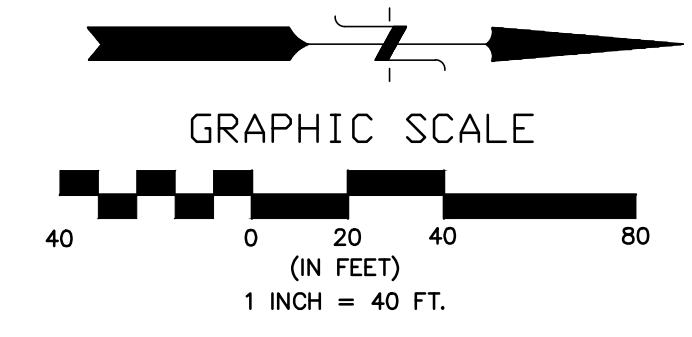
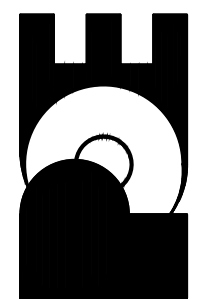


STATE	PROJECT NO.	YEAR	SHEET NO.	TOTAL SHEETS
KANSAS	87 N-0243-01	2005	102	169
Federal Aid No. STP N024(301)				



No.	Date	By	Approved	Revision
POE & ASSOCIATES, INC. CONSULTING ENGINEERS 5940 E. Central, Suite 200 Wichita, KS 67208-4242 Phone: 316/685-4114 FAX: 316/685-4444				
				
WICHITA				
SENECA STREET I-235 TO 31ST STREET CITY OF WICHITA, KANSAS TRAFFIC CONTROL - PHASE 2				
Engineer:	P. FERGUSON	Sheet		
Designer:	J. UNRUH	102 of 169		
KDOT Job No.:	87 N-0243-01	Poe Job No.: 1794		
Date:	JANUARY 2010	Date:		