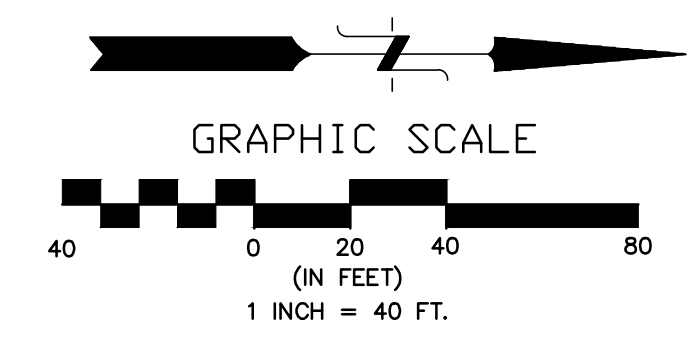


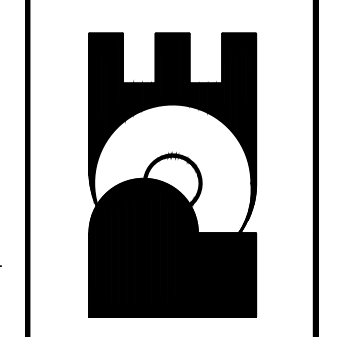
STATE	PROJECT NO.	YEAR	SHEET NO.	TOTAL SHEETS
KANSAS	87 N-0243-01	2005	104	169
Federal Aid No. STP N024(301)				



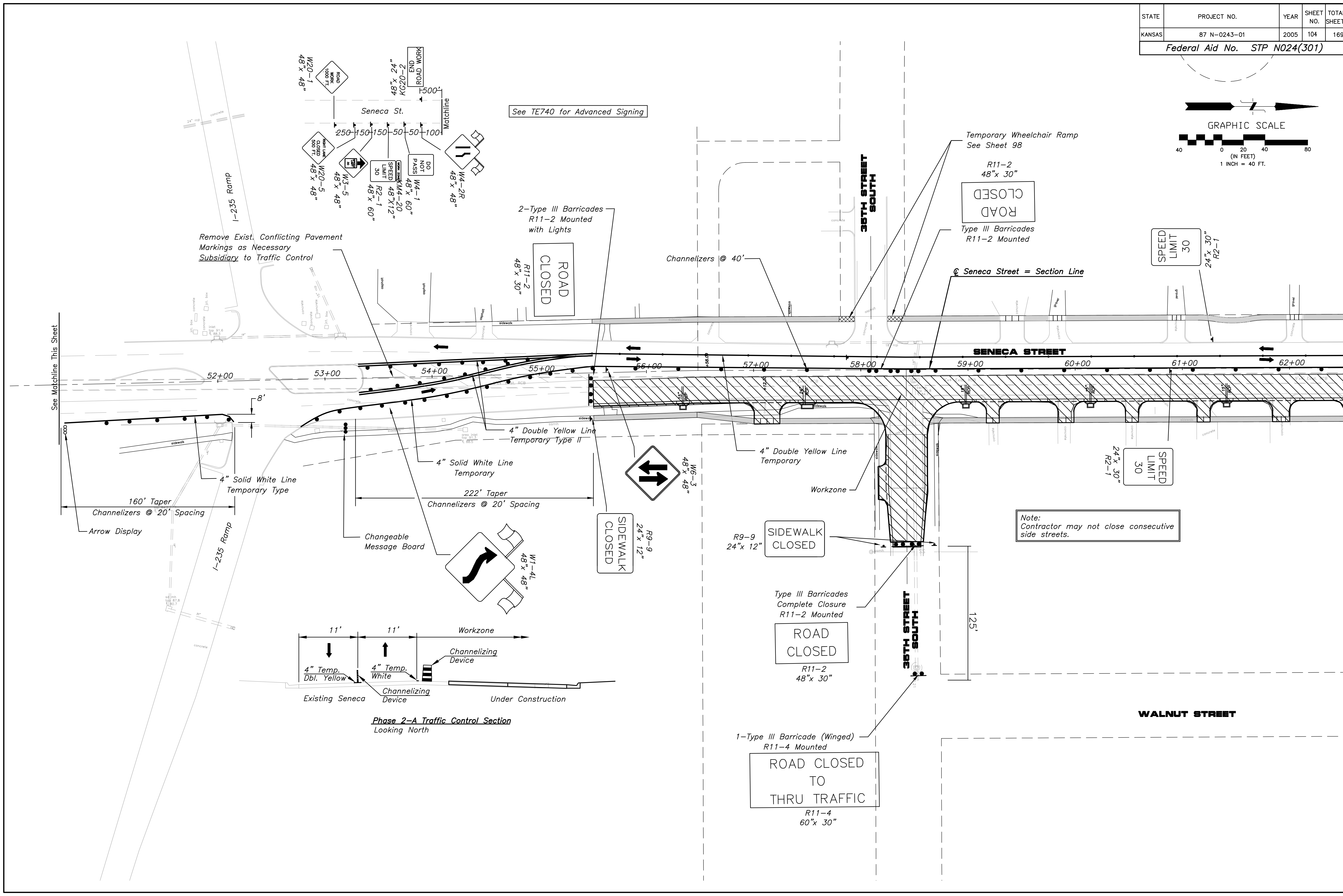
No.	Date	By	Approved	Revision

SENECA STREET  
 I-235 TO 31ST STREET  
 CITY OF WICHITA, KANSAS  
 TRAFFIC CONTROL - PHASE 2-A

POE & ASSOCIATES, INC.  
 CONSULTING ENGINEERS  
 5940 E. Central, Suite 200 □ Wichita, KS  
 67208-4242  
 Phone 316/685-4114 □ FAX 316/685-4444



**FINALE**  
 Engineer: P. FERGUSON  
 Designer: J. UNRUH  
 KDOT Job No.: 87 N-0243-01 Poe Job No.: 1794  
 Date: JANUARY 2010



Note:  
Contractor may not close consecutive side streets.

See TE740 for Advanced Signing

Remove Exist. Conflicting Pavement Markings as Necessary Subsidiary to Traffic Control

Phase 2-A Traffic Control Section  
Looking North