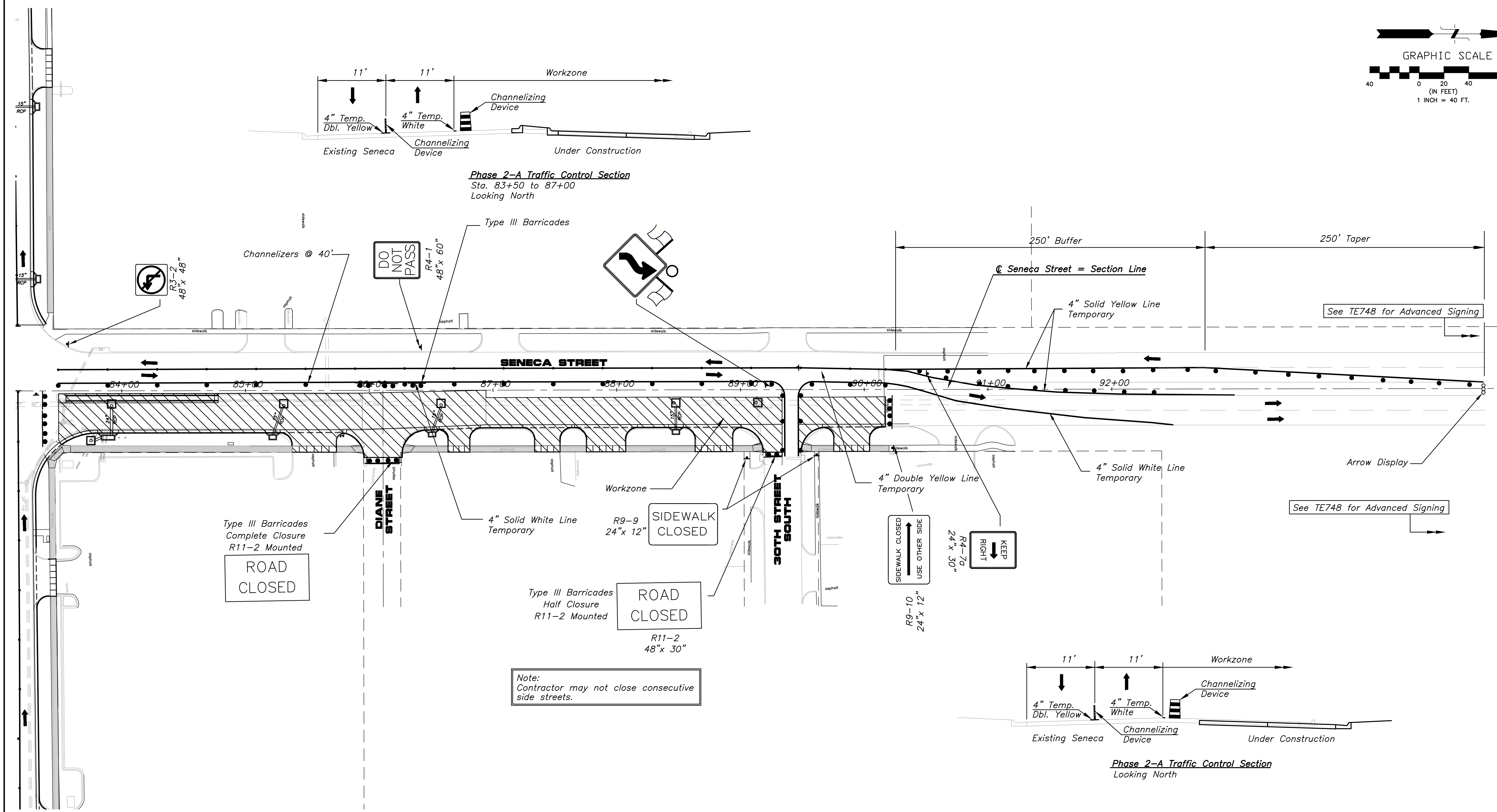
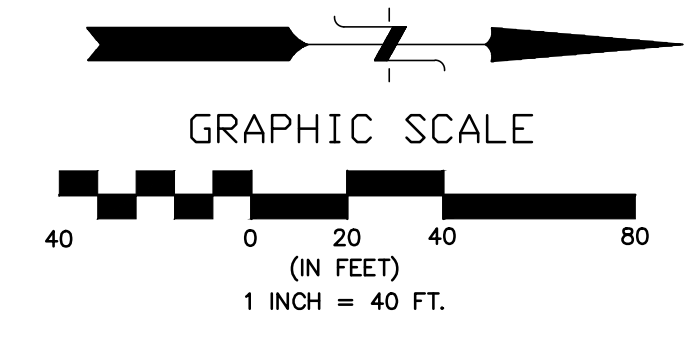


STATE	PROJECT NO.	YEAR	SHEET NO.	TOTAL SHEETS
KANSAS	87 N-0243-01	2005	107	169
Federal Aid No. STP N024(301)				



No.	Date	By	Approved	Revision

SENECA STREET  
1-235 TO 31ST STREET  
CITY OF WICHITA, KANSAS  
TRAFFIC CONTROL - PHASE 2-A

POE & ASSOCIATES, INC.  
CONSULTING ENGINEERS  
5940 E. Central, Suite 200 | Wichita, KS  
67208-4242  
Phone 316/685-4114 | FAX 316/685-4444

FINAL

Engineer: P. FERGUSON  
Designer: J. UNRUH  
KDOT Job No.: 87 N-0243-01  
Job No.: 1794  
Date: JANUARY 2010

Sheet  
107 of 169