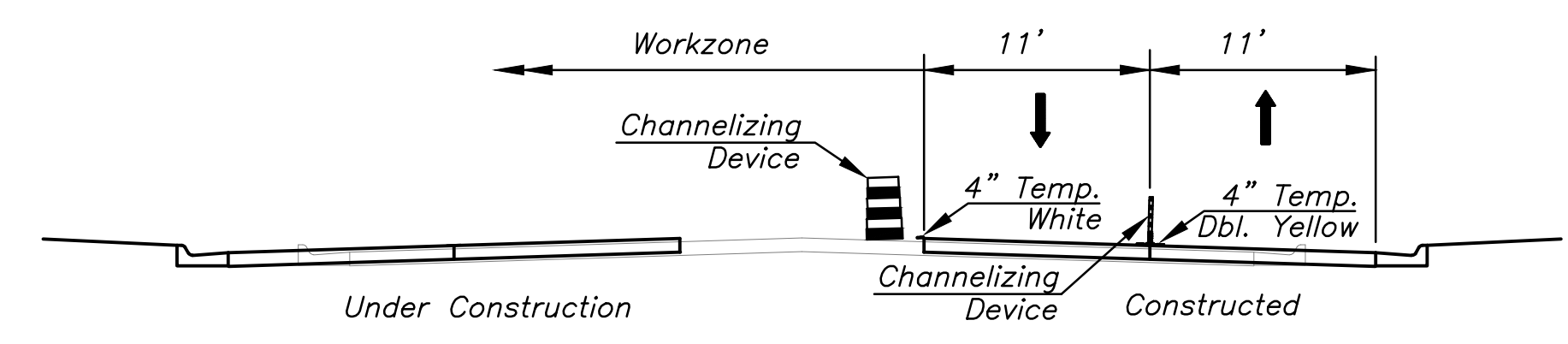
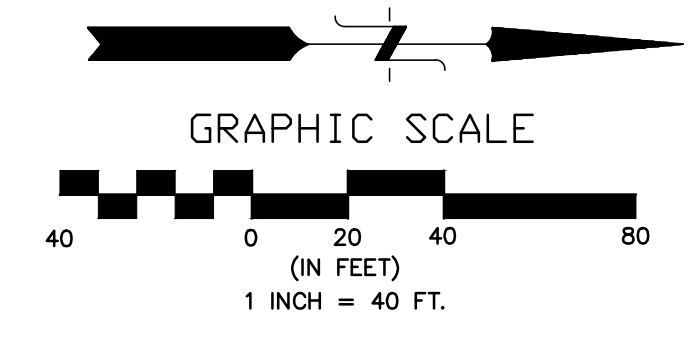
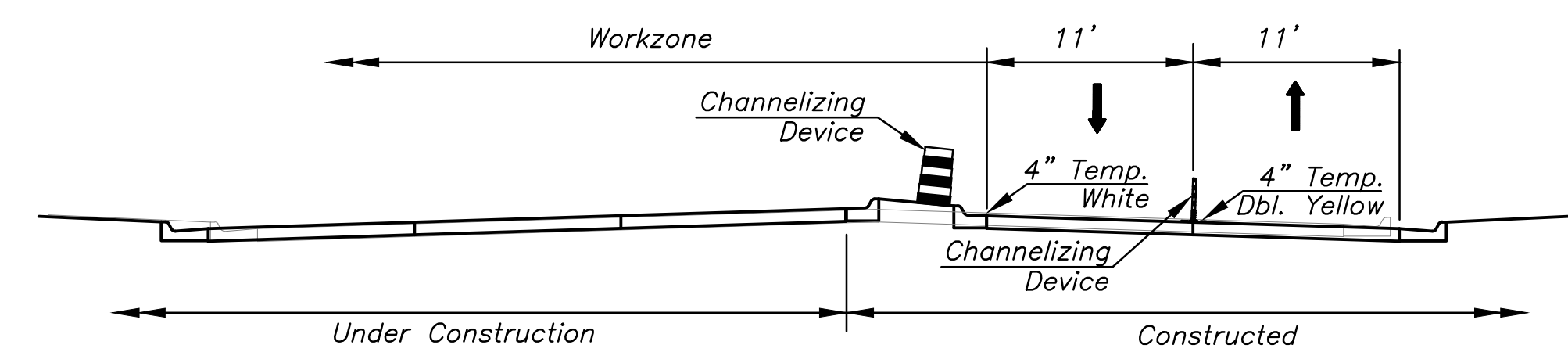
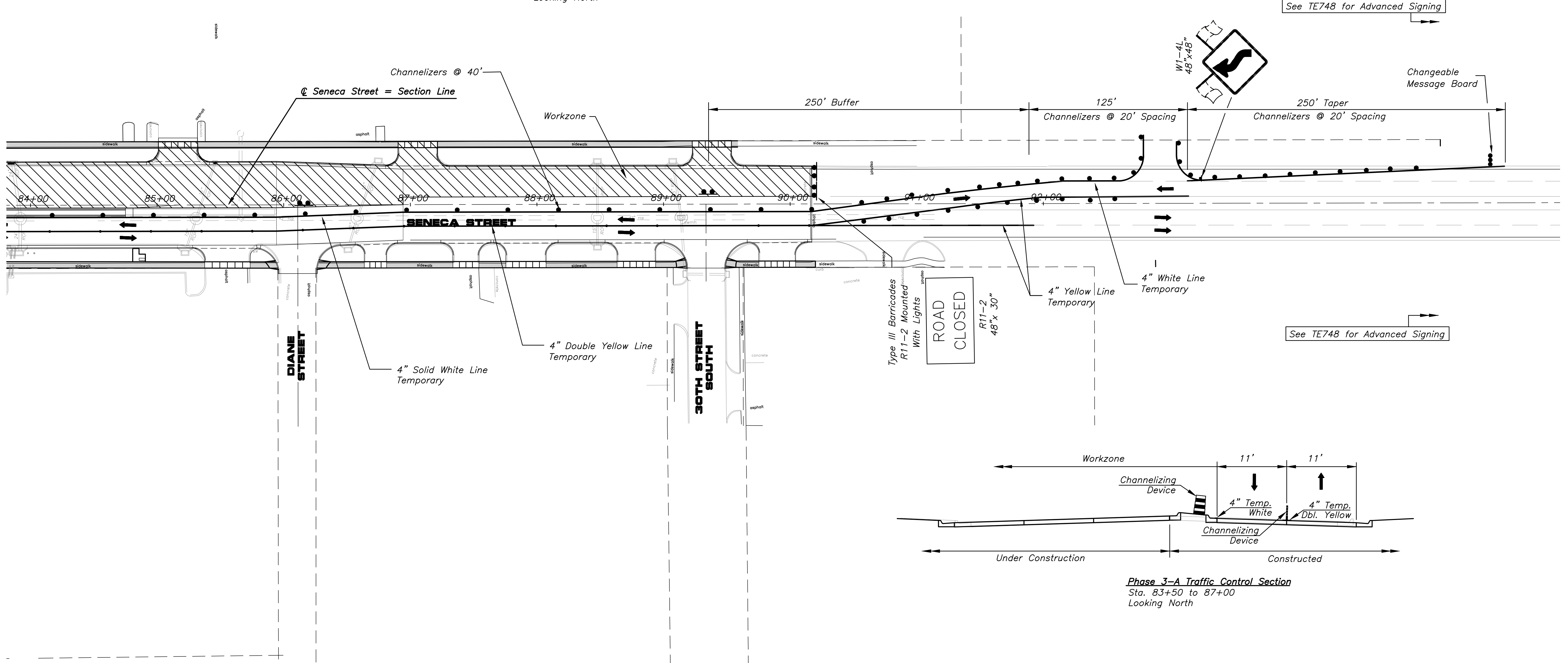


STATE	PROJECT NO.	YEAR	SHEET NO.	TOTAL SHEETS
KANSAS	87 N-0243-01	2005	117	169
Federal Aid No. STP N024(301)				



**Phase 3-A Traffic Control Section**  
Looking North



**Phase 3-A Traffic Control Section**  
Sta. 83+50 to 87+00  
Looking North

No.	Date	By	Approved	Revision

SENECA STREET  
1-235 TO 31ST STREET  
CITY OF WICHITA, KANSAS  
TRAFFIC CONTROL-PHASE 3-A

POE & ASSOCIATES, INC.  
CONSULTING ENGINEERS  
5940 E. Central, Suite 200 □ Wichita, KS  
67208-4242  
Phone 316/685-4114 □ FAX 316/685-4444

Engineer: P. FERGUSON  
Designer: J. UNRUH  
KDOT Job No.: 87 N-0243-01    Poe Job No.: 1794  
Date: JANUARY 2010

Sheet 117 of 169