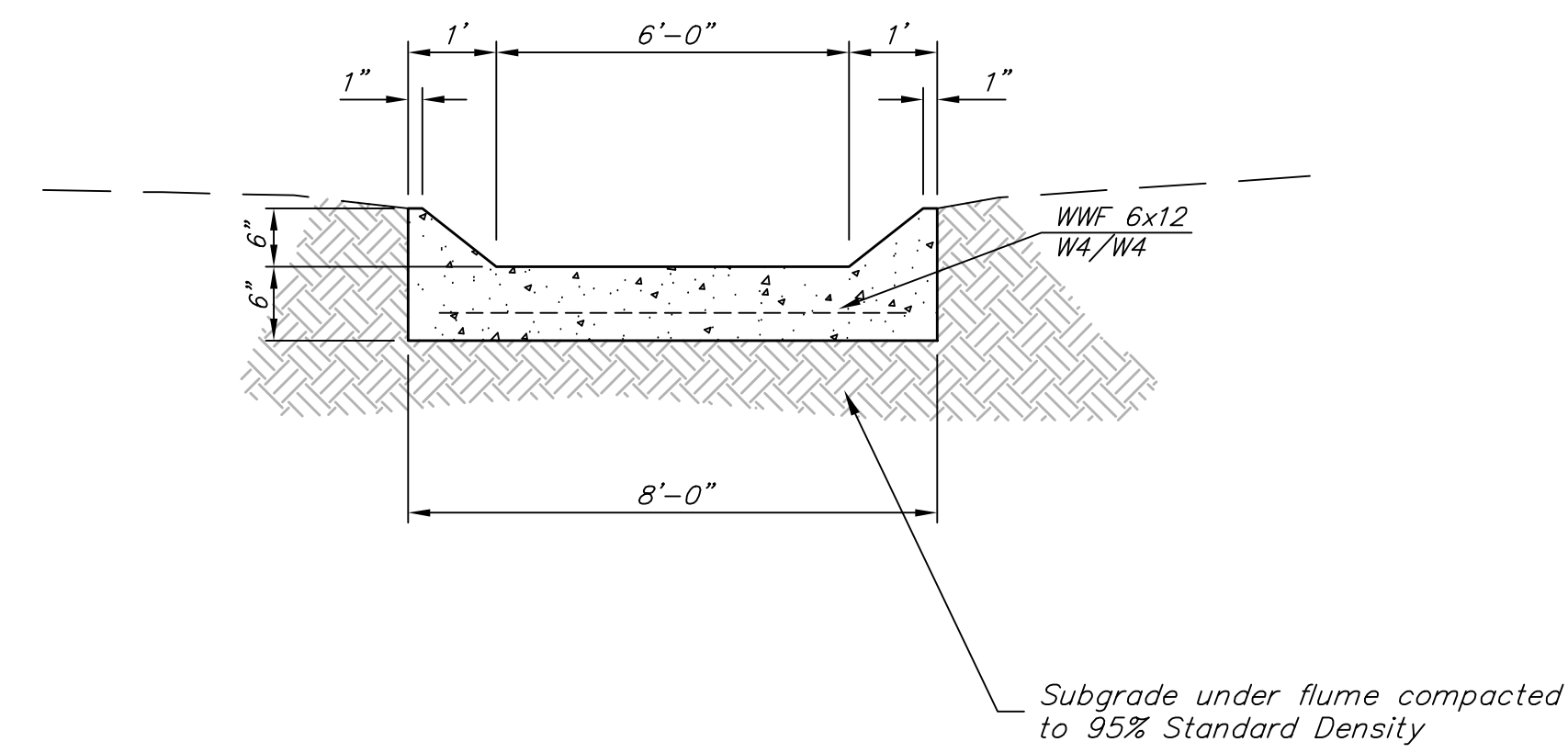
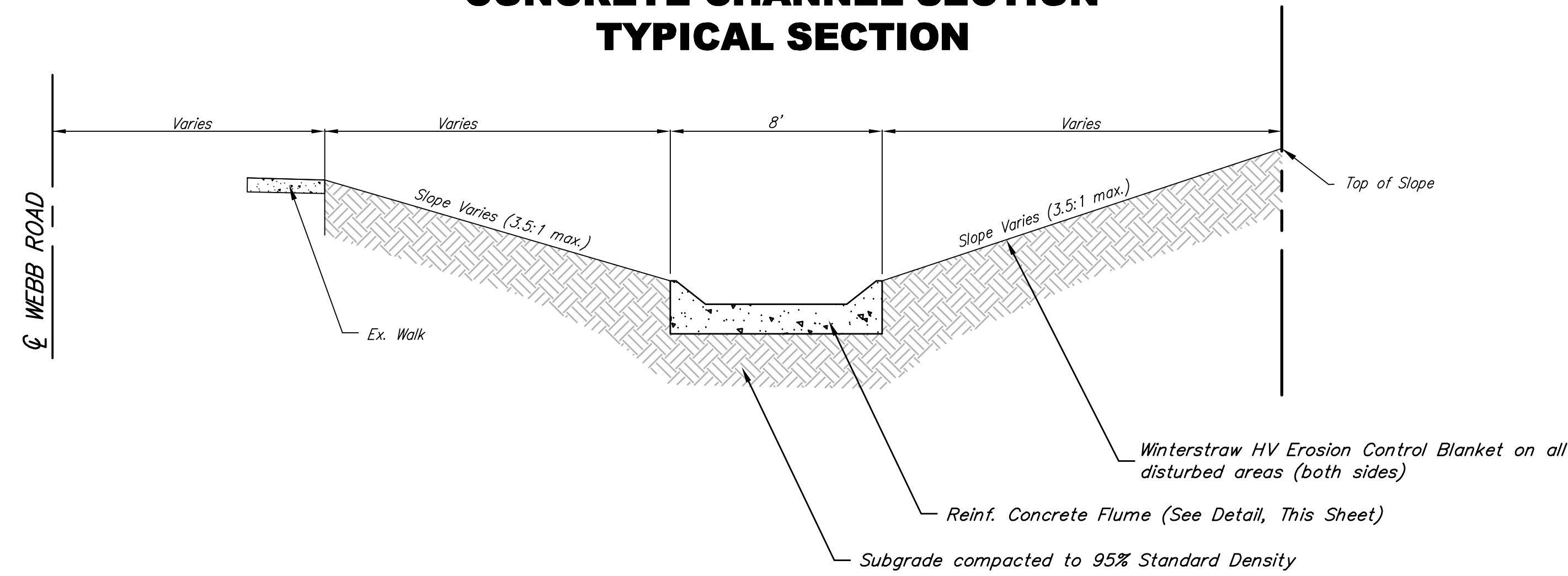
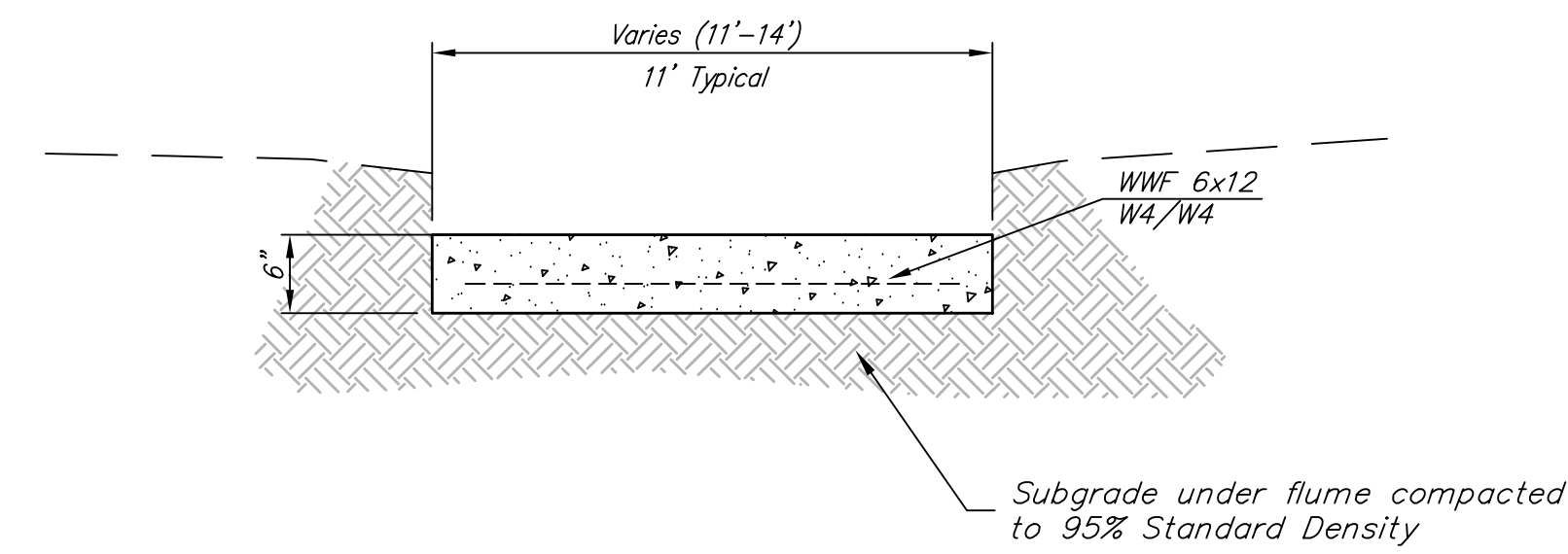
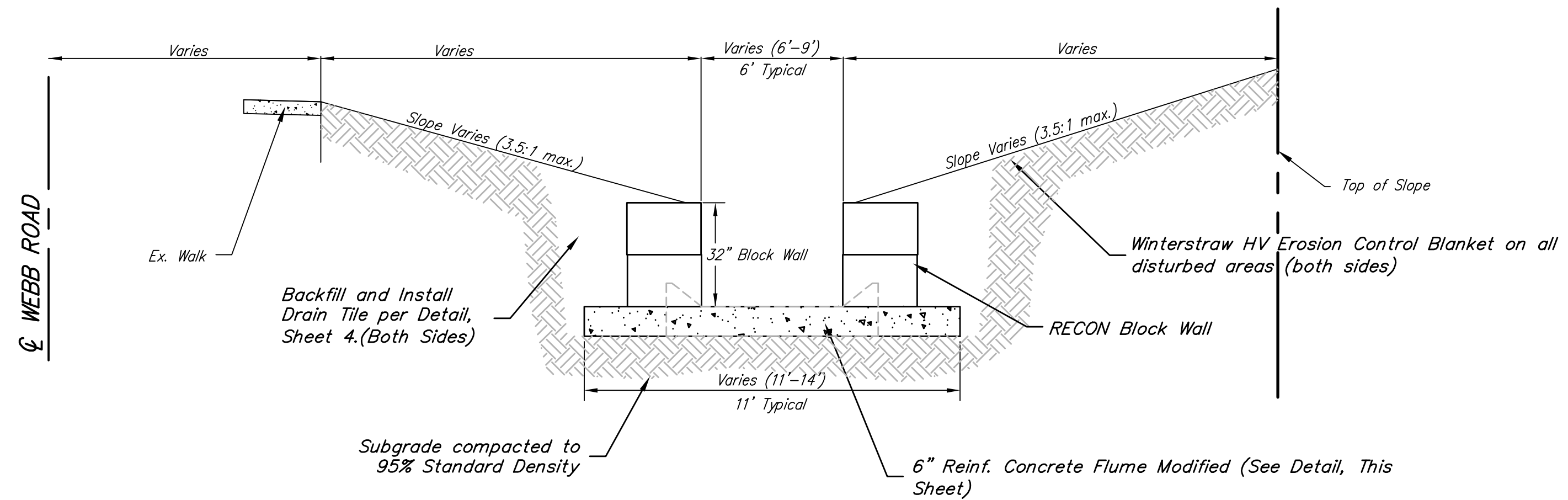


**CONCRETE CHANNEL SECTION  
TYPICAL SECTION**

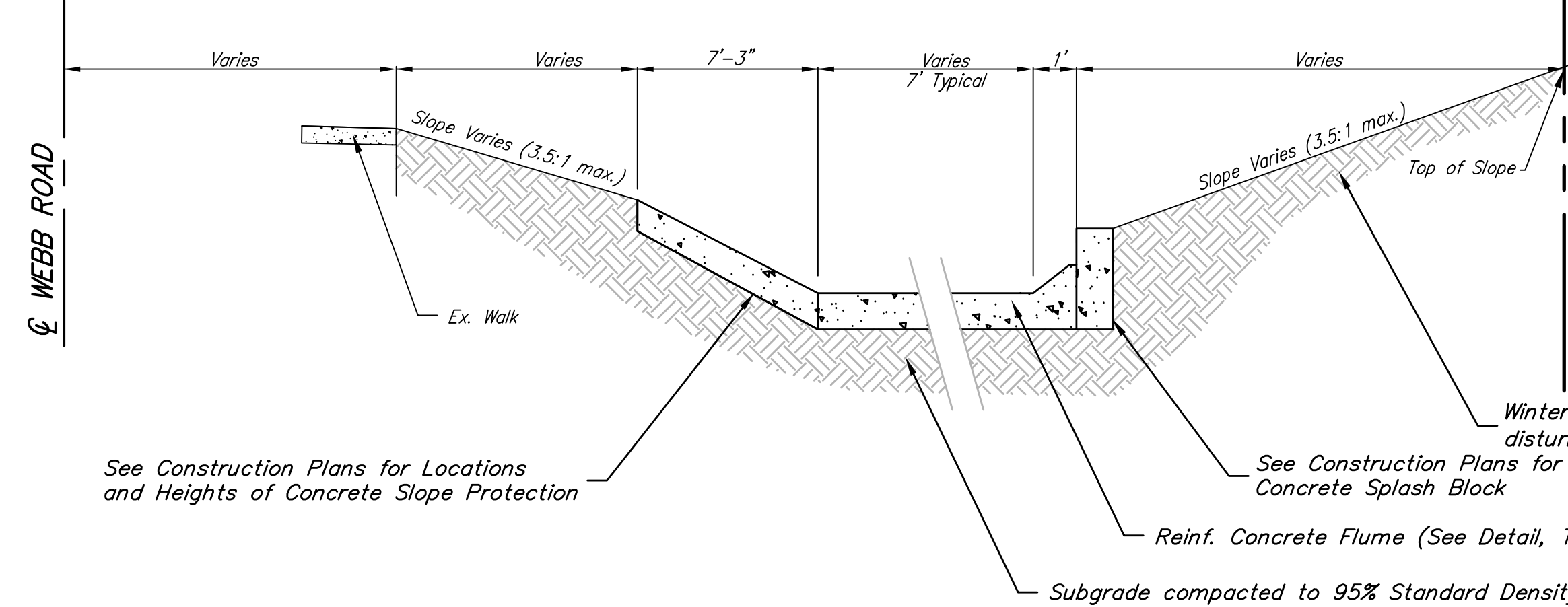


**CONCRETE CHANNEL SECTION  
ADJACENT TO BLOCK WALL**

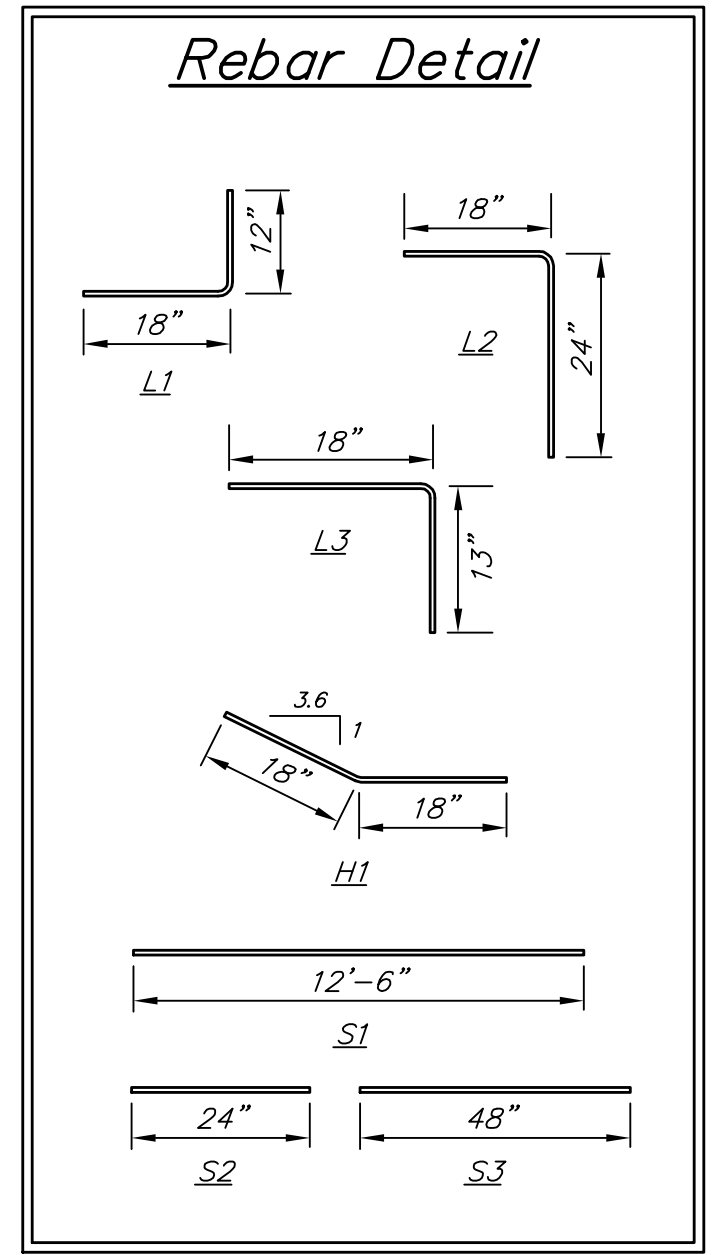
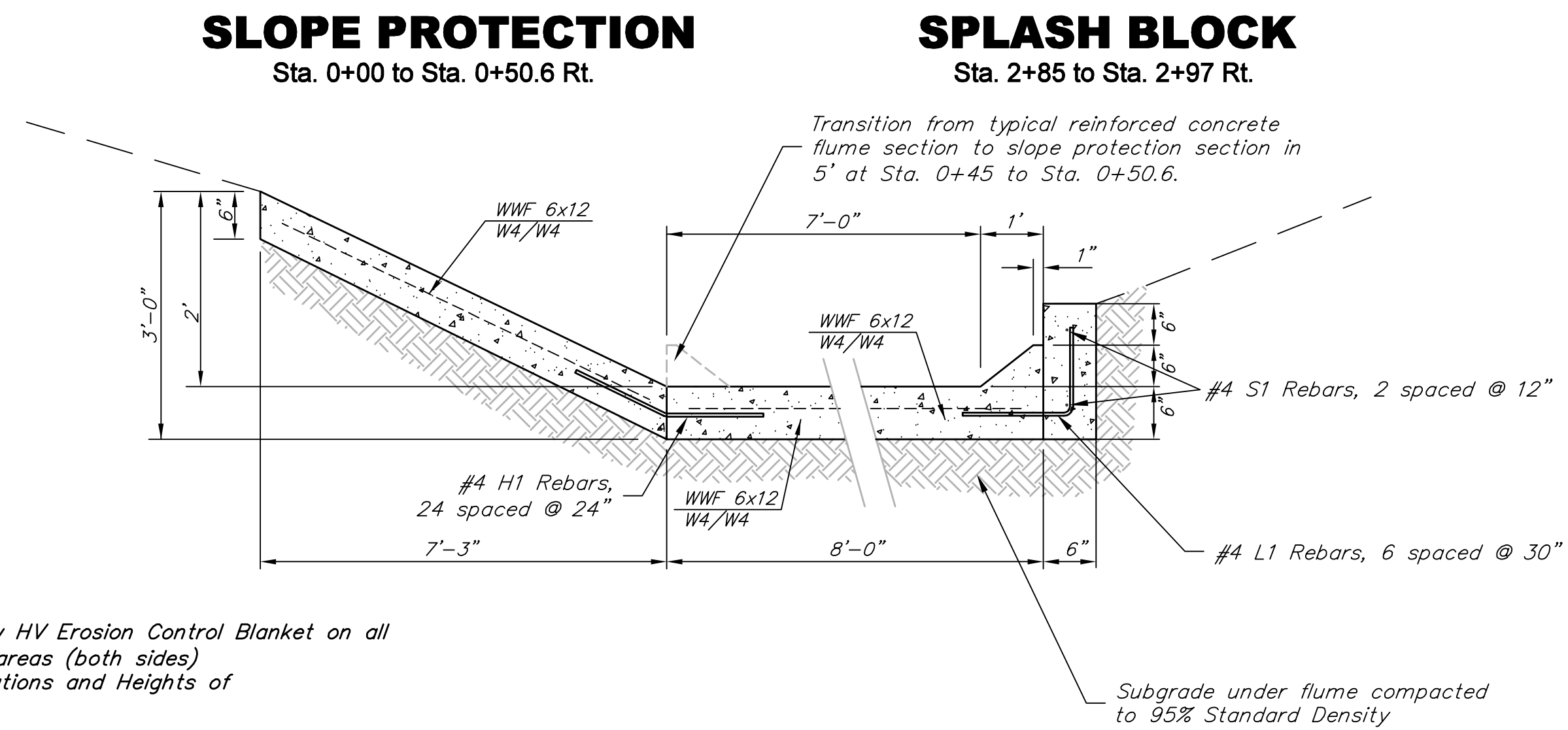


**CONCRETE CHANNEL SECTION**

**SLOPE PROTECTION**  
Sta. 0+00 to Sta. 0+50.6 Rt.



**SPLASH BLOCK**  
Sta. 2+85 to Sta. 2+97 Rt.



	North Webb Rd./Jabara Airport <b>Typical Channel Sections</b> Channel Improvements	
	Baughman Company, P.A. 315 Ellis St. Wichita, KS 67211 P 316-2627271 F 316-2624149 ENGINEERING   SURVEYING   PLANNING   LANDSCAPE ARCHITECTURE	
PROJECT NUMBER 468-84783	DESIGN AG	DRAWN AG
REVISIONS:	APPROVED DATE	SCALE None
		SHEET <b>5 OF 10</b>