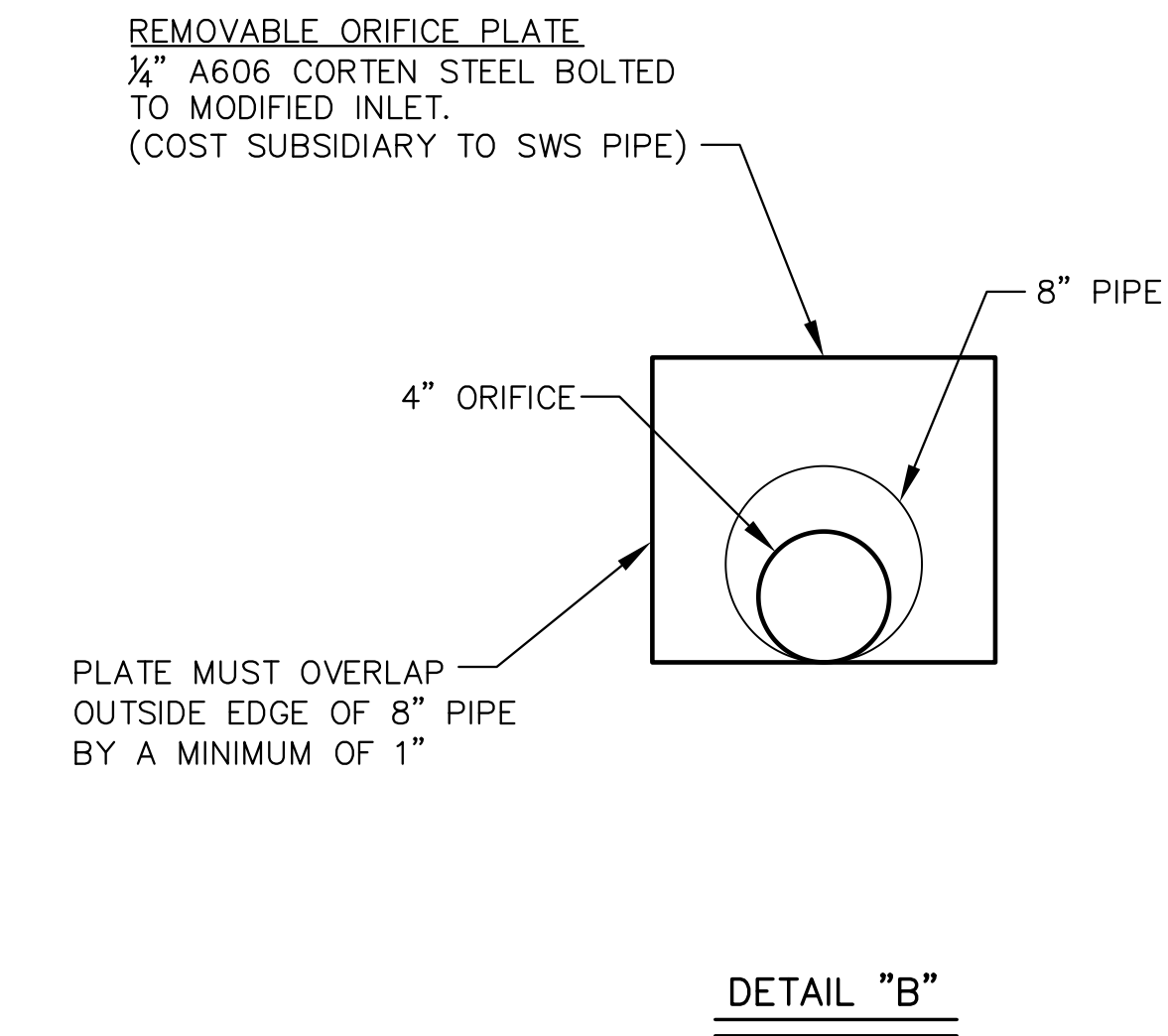
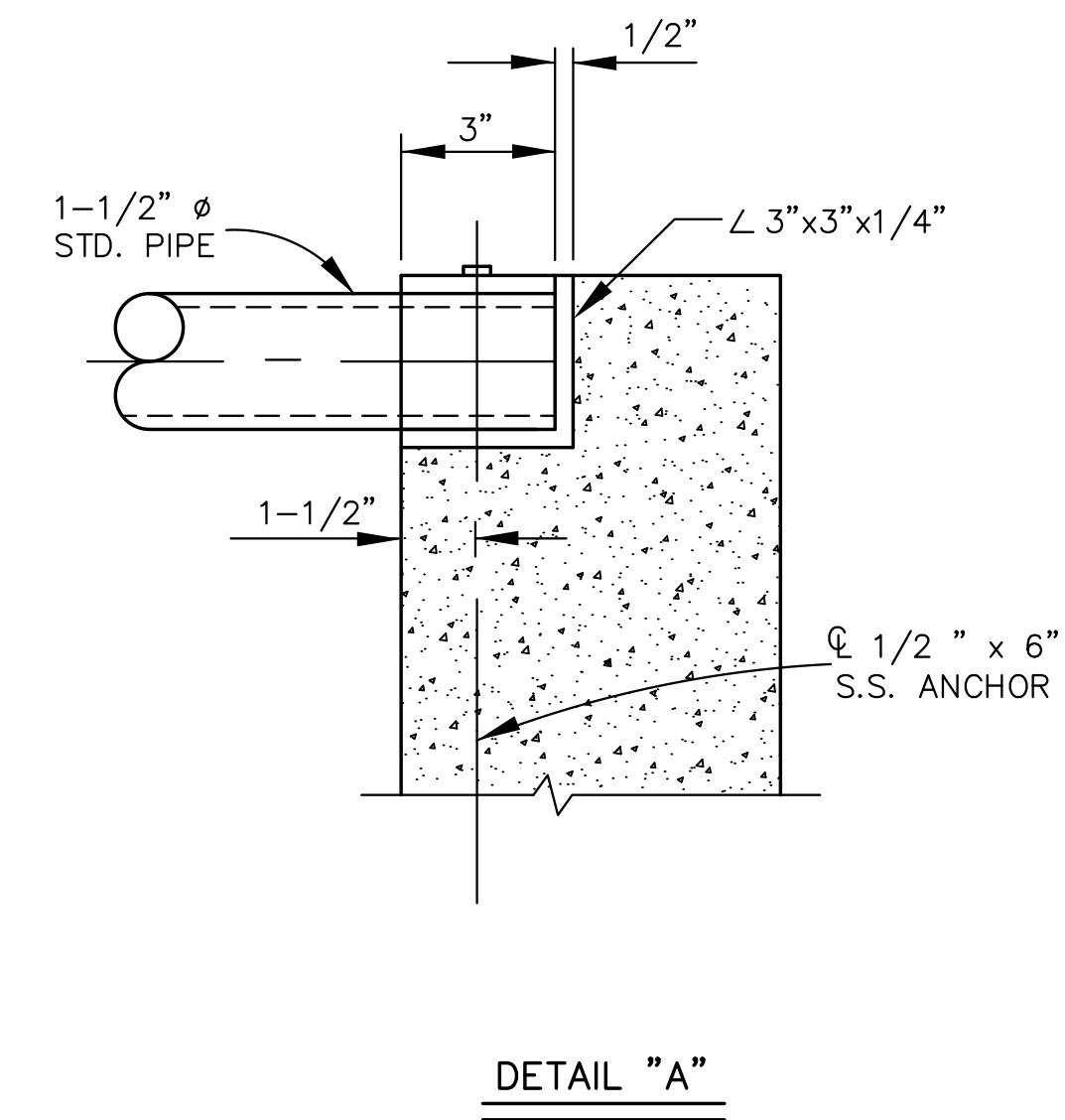
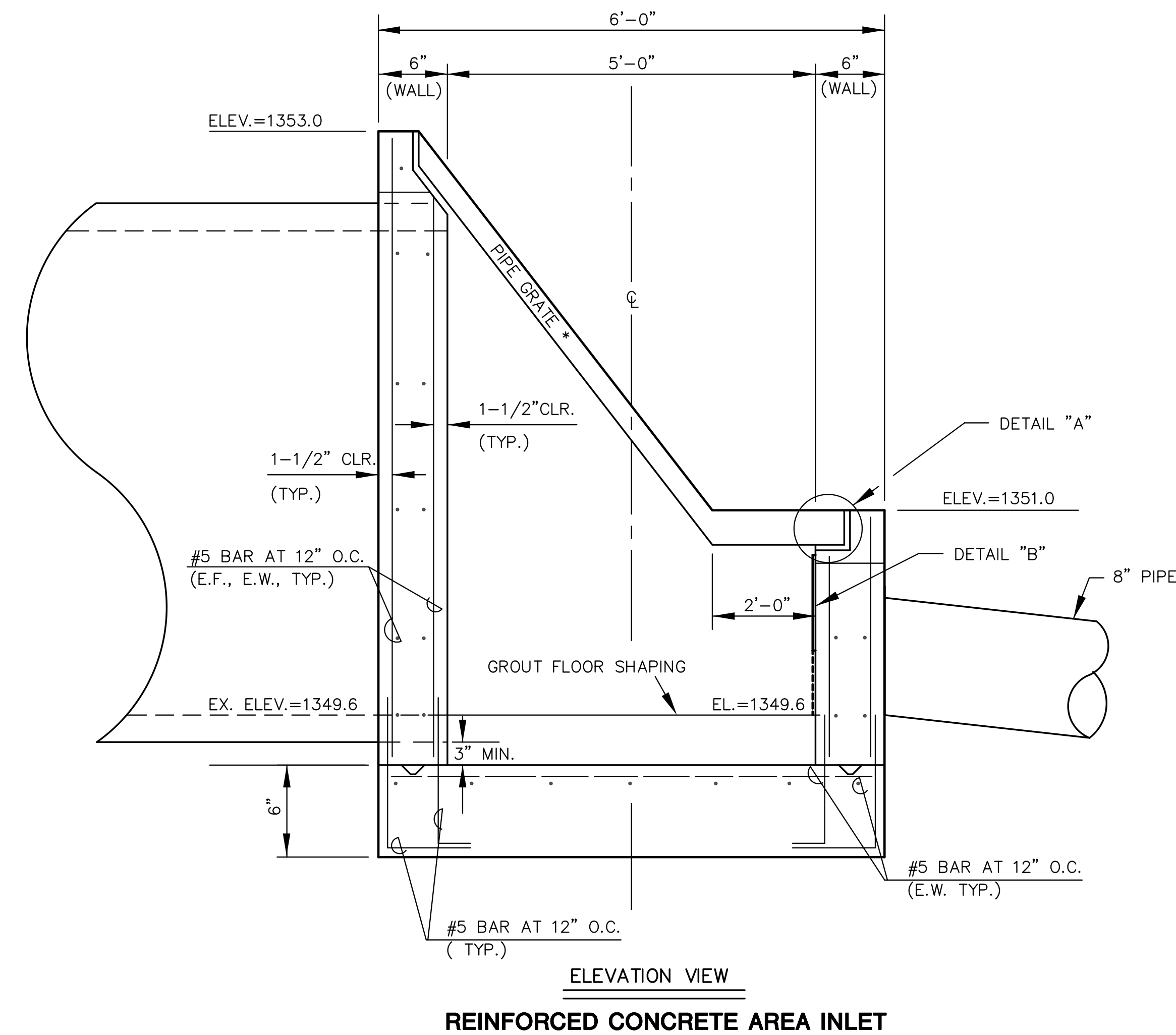


- MATERIAL SPEC'S
- MORTAR - TYPE "M"
 - BRICK - ASTM C62 GRADE MW
 - STEEL - ASTM A36 OR EQUIVALENT
 - GALV. - ASTM A-123 STDS.
 - CONCRETE - $F'_c = 4,000$ PSI MINIMUM WITH 6 SACKS OF CEMENT PER CUBIC YARD MINIMUM.



PLOTED: Friday, October 21, 2011 @ 07:21AM

G:\CIVIL\99118\DWG\SWS\PH_14\99118_DD08.DWG