

**PAVING & INCIDENTAL DRAINAGE PLANS  
FOX RIDGE ADDITION  
PHASE 14**

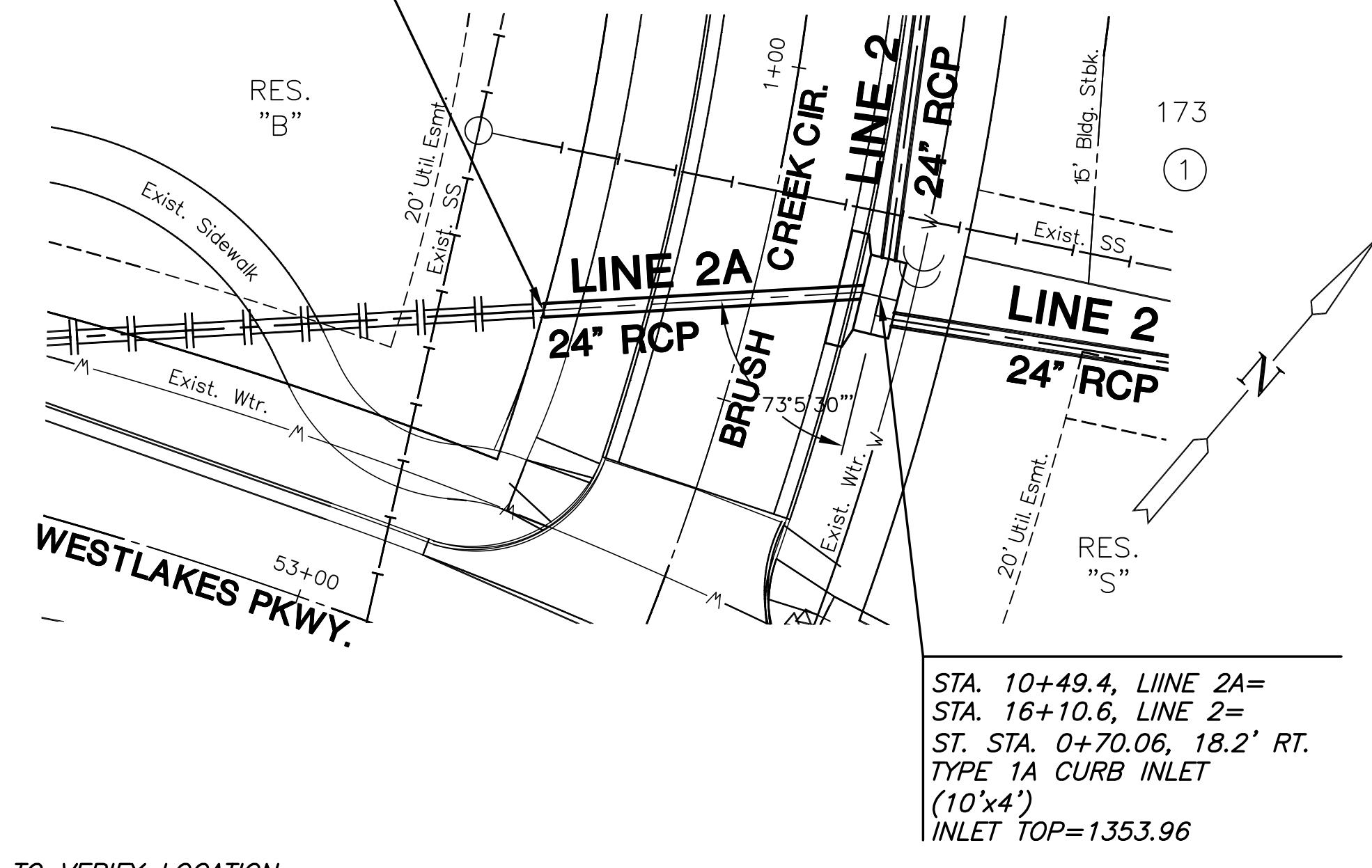
**LINE 2A  
AND LINE 3**  
SHEET TITLE  
472-83791  
PROJECT NUMBER

DFL / KKL / GJA  
DESIGNED / DRAWN / CHECKED

ISSUED  
October 2011  
REVISED

SHEET NO.  
**29 of 56**

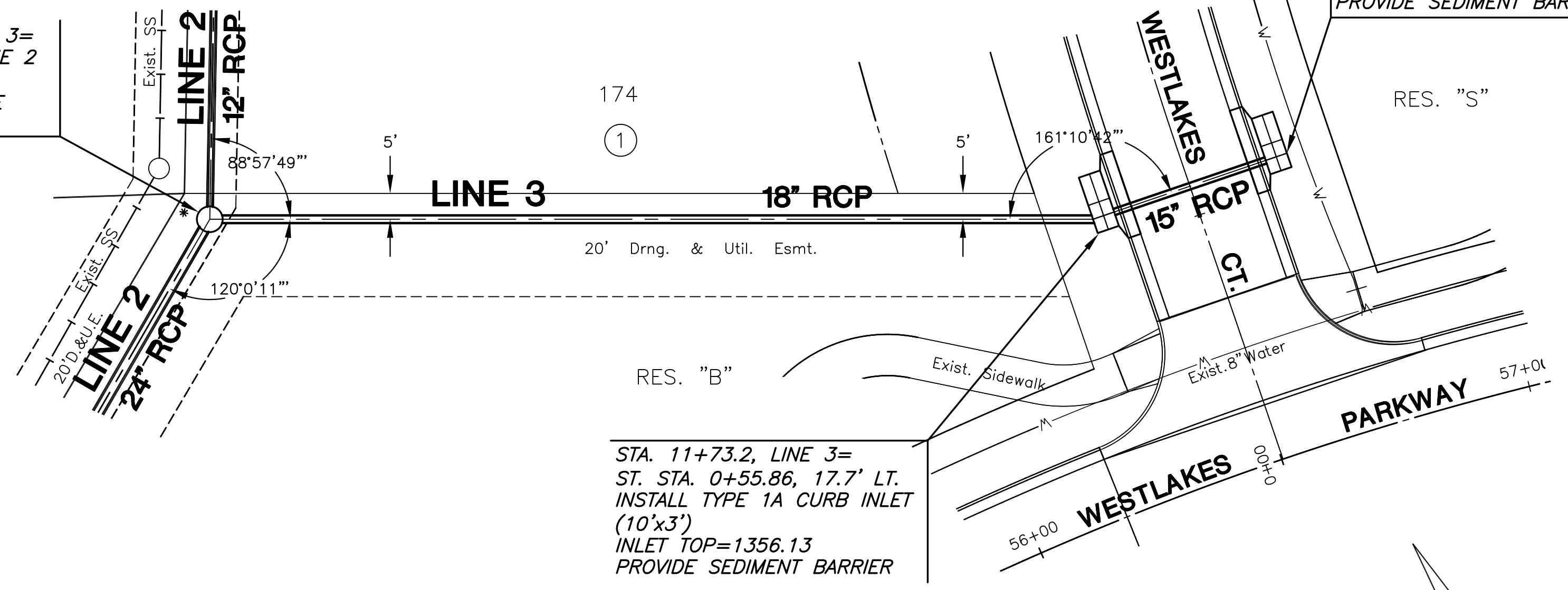
STA. 10+00.0, LINE 2A=  
ST. STA. 0+55.54, 29' LT.  
REMOVE EXIST 24" PLUG &  
CONNECT TO EXIST RCP



**PLAN LINE 2A**

STA. 10+49.4, LINE 2A=  
STA. 16+10.6, LINE 2=  
ST. STA. 0+70.06, 18.2' RT.  
TYPE 1A CURB INLET  
(10'x4')  
INLET TOP=1353.96

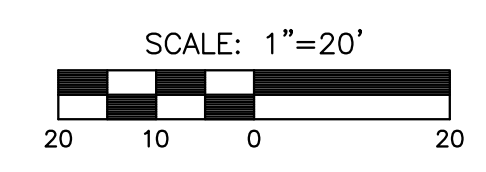
STA. 10+00, LINE 3=  
STA. 17+86.8, LINE 2  
5' DIA. SPECIAL  
SHALLOW MANHOLE  
TOP=1353.8



**PLAN LINE 3**

STA. 11+73.2, LINE 3=  
ST. STA. 0+55.86, 17.7' LT.  
INSTALL TYPE 1A CURB INLET  
(10'x3')  
INLET TOP=1356.13  
PROVIDE SEDIMENT BARRIER

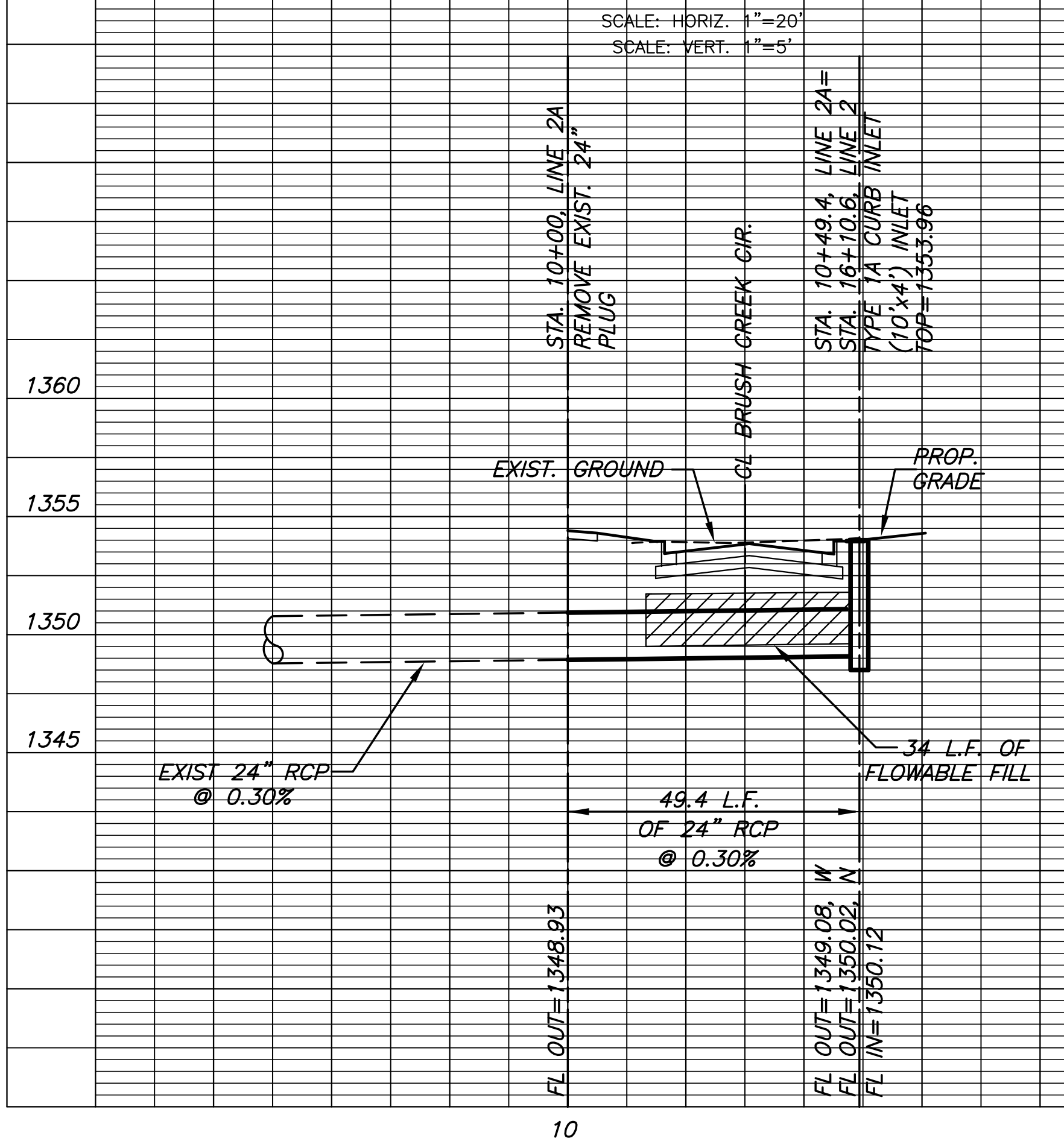
CONTRACTOR TO VERIFY LOCATION  
AND DEPTH OF EXISTING STORM  
SEWER AND ALL OTHER UTILITIES  
PRIOR TO CONSTRUCTION.



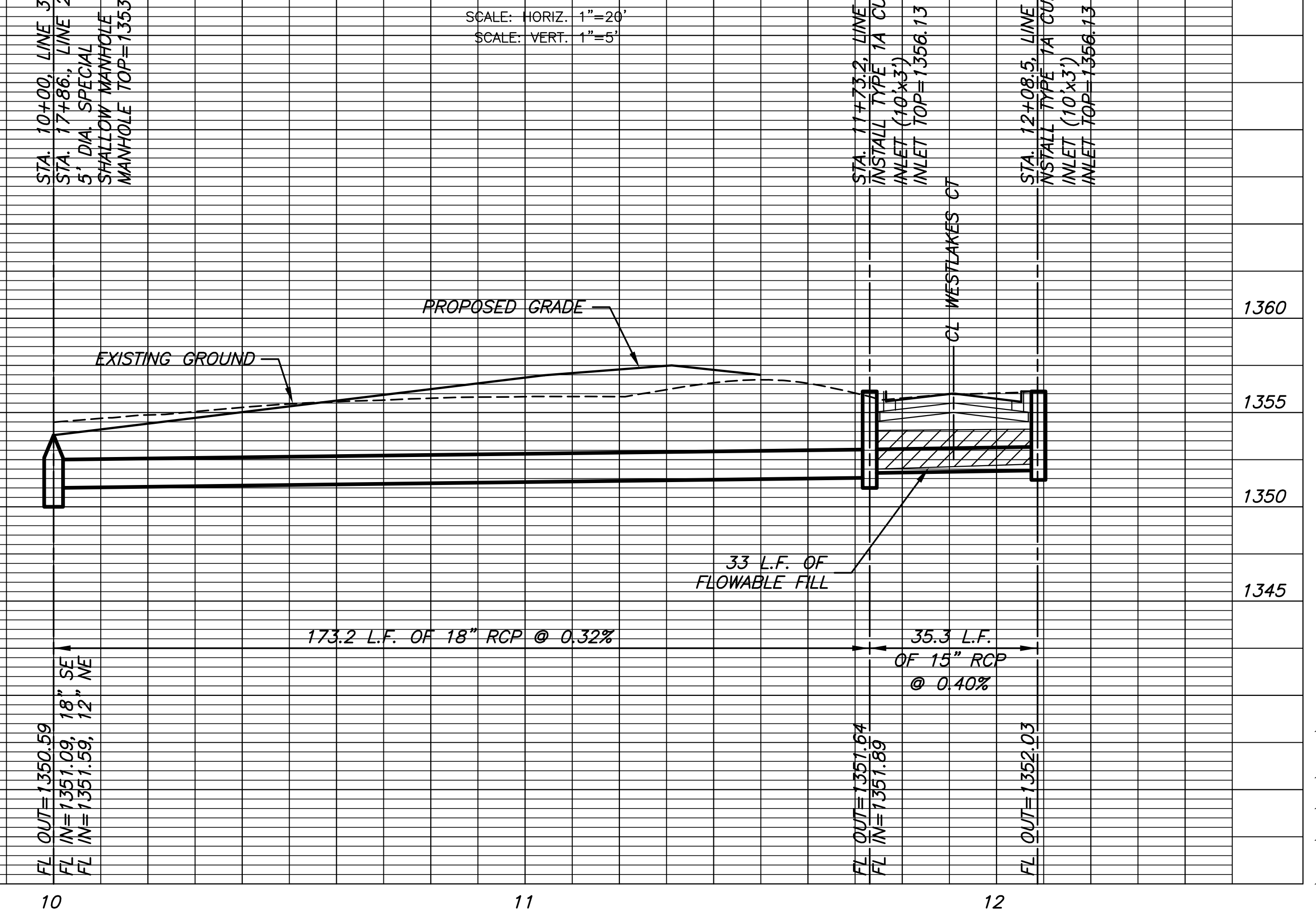
**LEGEND**

\* EXISTING SPRINKLER HEAD  
(SEE GENERAL NOTE 10)

**PROFILE LINE 2A**



**PROFILE LINE 3**



PLD: Wednesday, October 12, 2011 8:08:58AM

G:\CIVIL\98118\DWG\SW\PH-14\98118\_DD.DWG