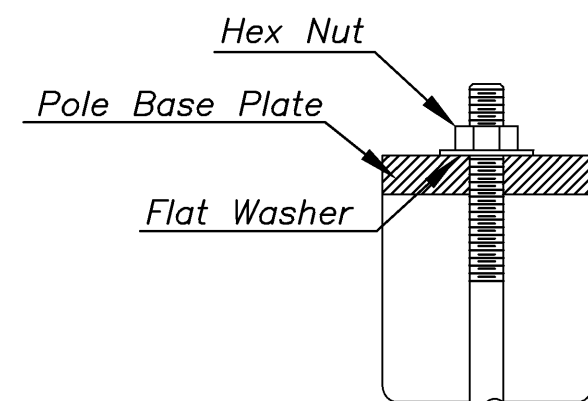
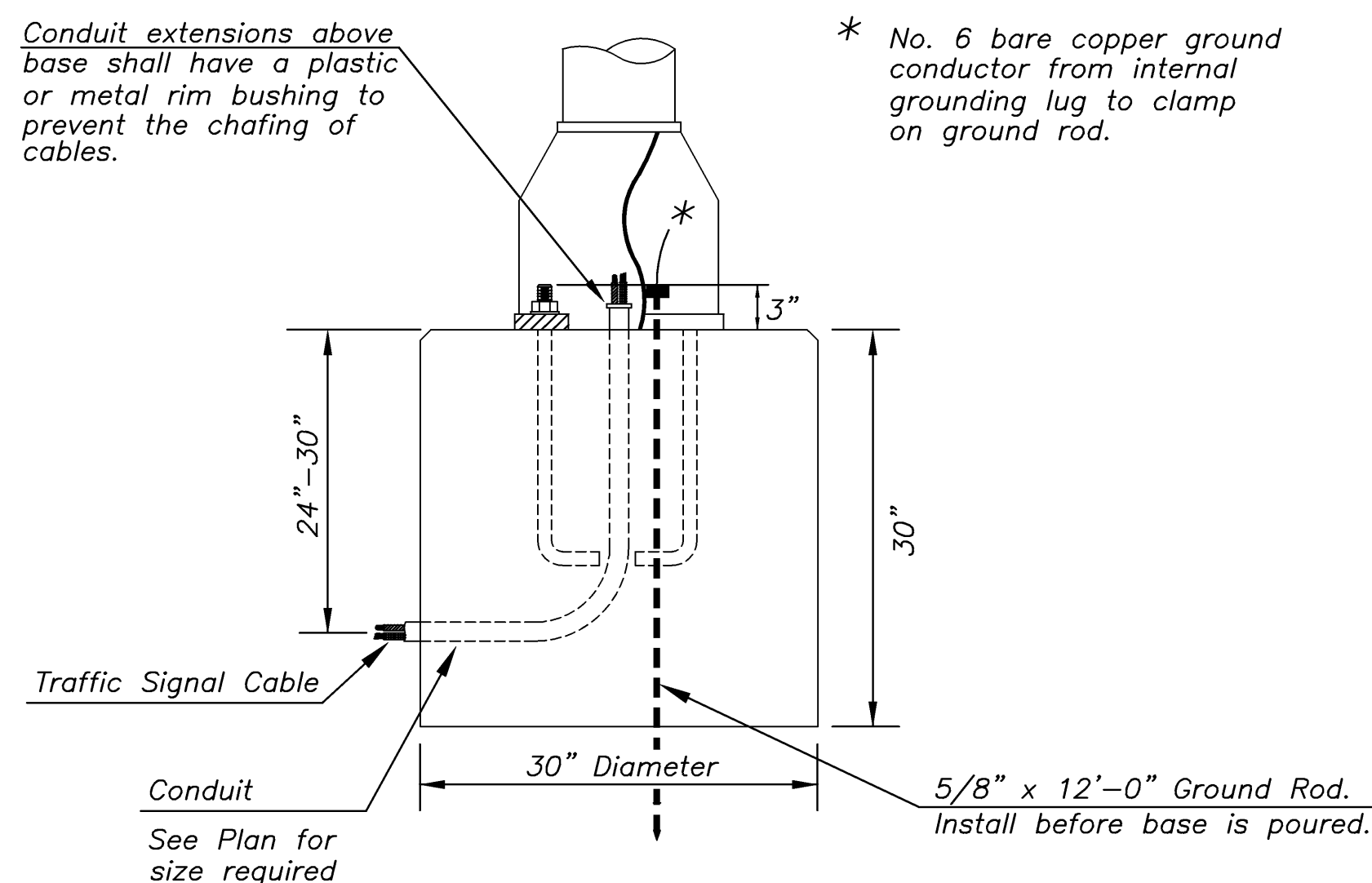
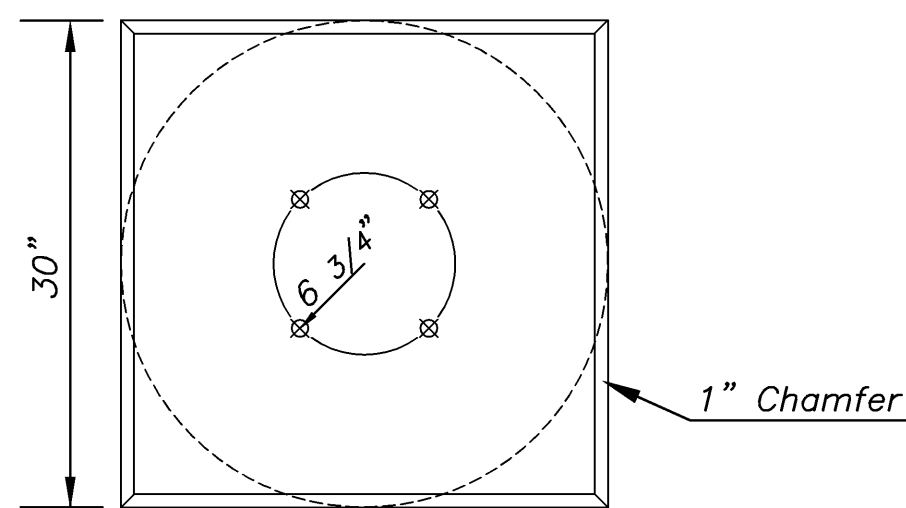


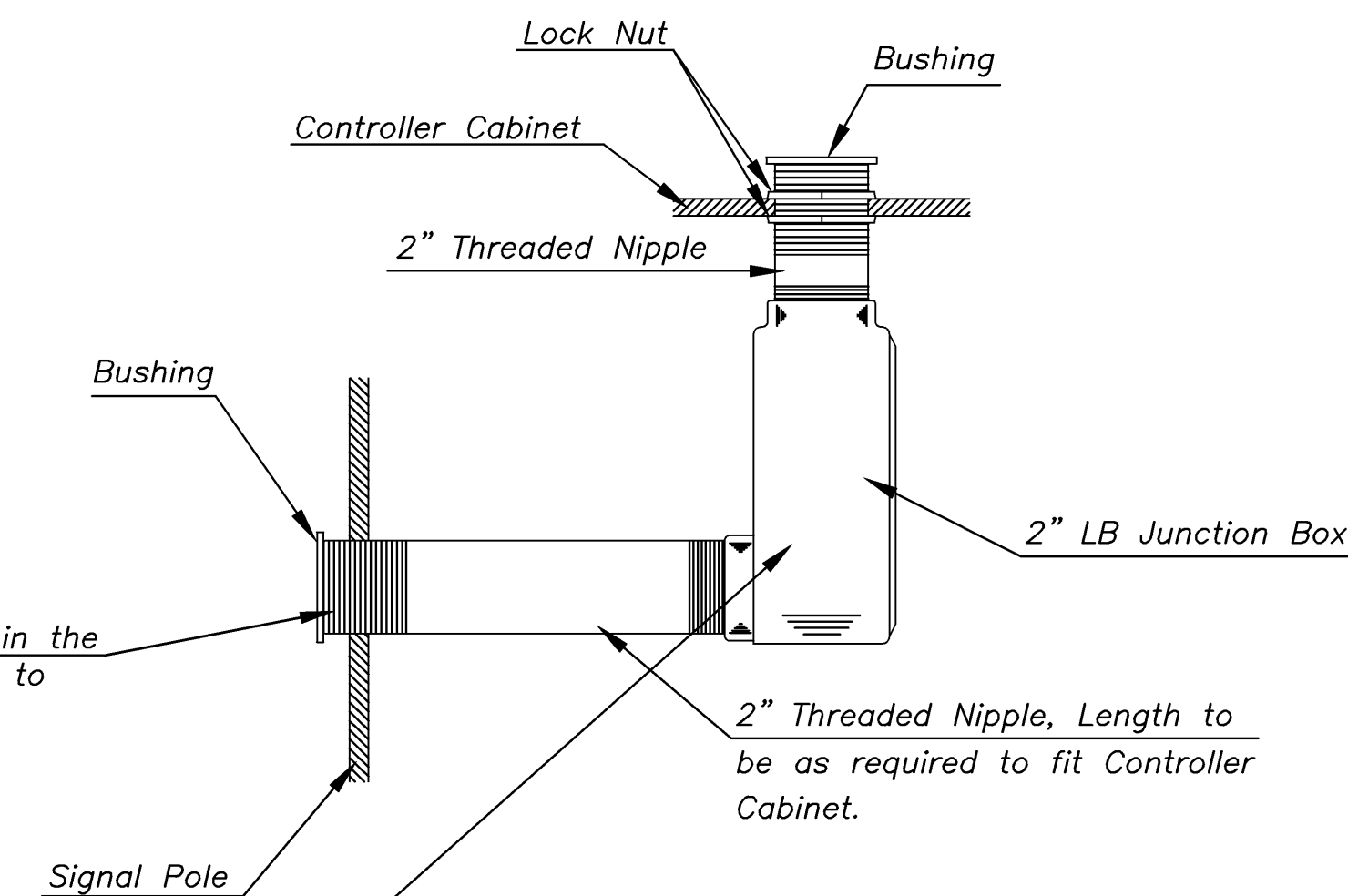
Use Keystone "No-Weld Number 1 Anti-Seize Compound" on all bolts & nuts.



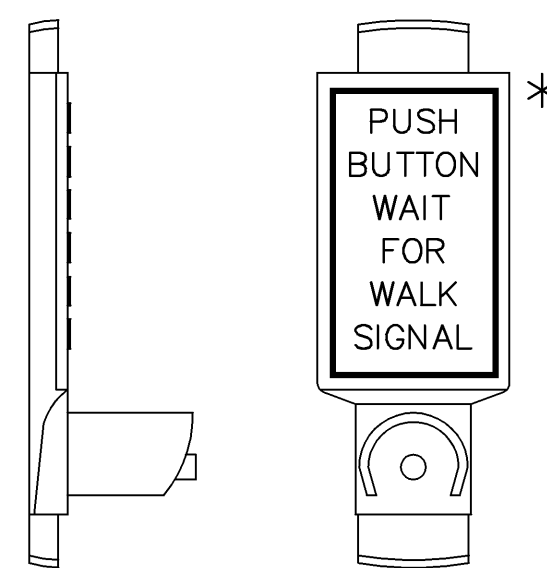
**ANCHOR BOLT  
DETAIL**



**CONCRETE BASE DETAIL**

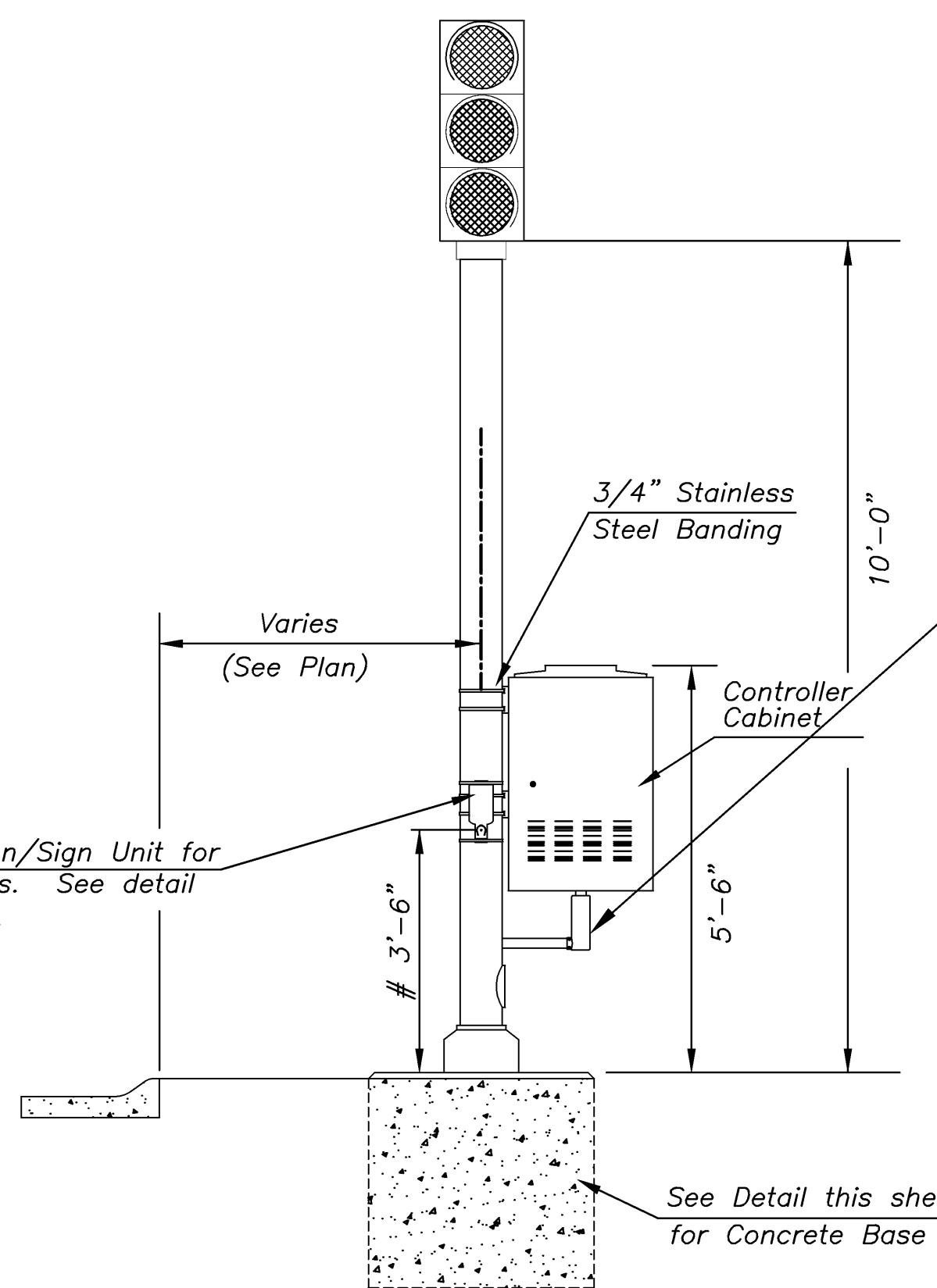


\* NOTE: MESSAGE TO BE CAST WITH HOUSING (ONE PIECE)



INSTALL PEDESTRIAN PUSHBUTTON UNDERNEATH CORRESPONDING PEDESTRIAN SIGNAL HEAD ON SIDE OF POLE NEAREST CROSSWALK. UNIT SHALL BE FIRMLY ATTACHED TO THE SIDE OF POLE WITH 3/4" STEEL BANDS. SHARP ENDS SHALL BE FOLDED UNDER TO PREVENT INJURY TO PEDESTRIANS.

**PEDESTRIAN PUSHBUTTON/SIGN  
UNIT DETAIL**



# From Sidewalk Finish Grade to Center of Pushbutton.

**TRAFFIC SIGNAL PEDESTAL**

PROJECT DESCRIPTION		
TRAFFIC SIGNAL PEDESTAL & CONCRETE BASE		
DETAIL SHEET		
PROJECT NUMBER		
89 N-0494-01		
DRAWN BY: T.M.	SCALE: NO SCALE	REvised BY:
DATE: MAY 97		DATE:
CITY OF WICHITA		
DEPARTMENT OF PUBLIC WORKS		
ENGINEERING DIVISION		SHEET 53 OF 69
SCOTT LOGAN, TRAFFIC ENGINEER		