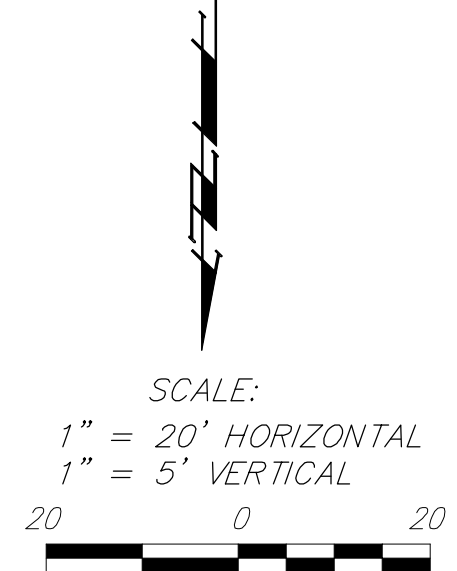


BENCHMARKS

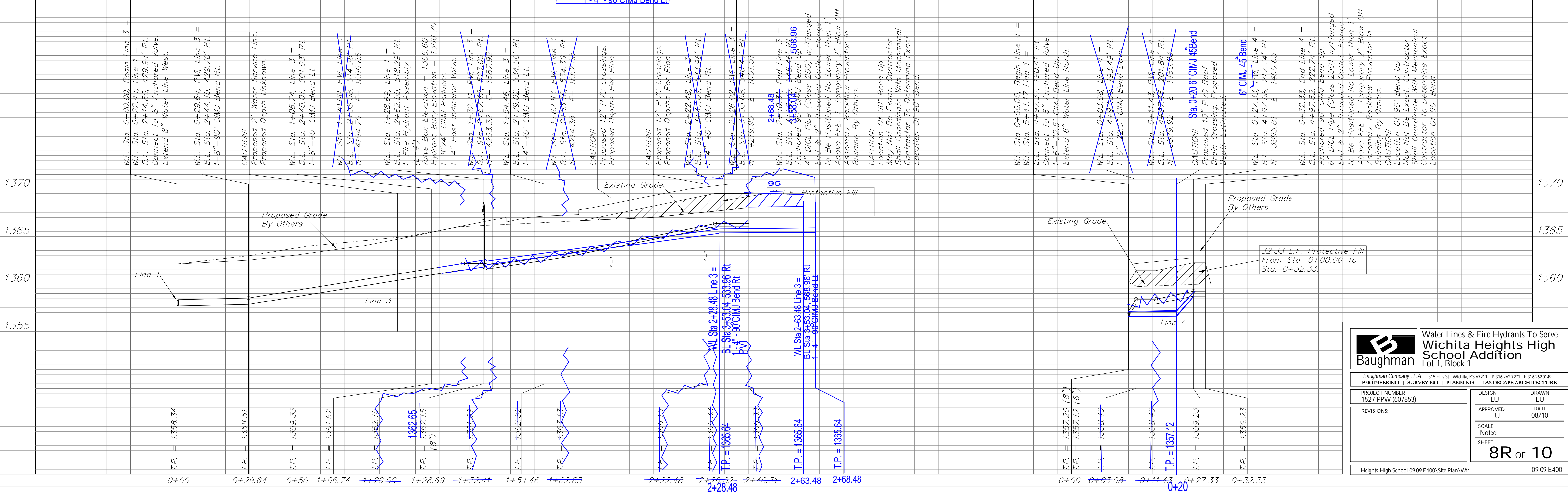
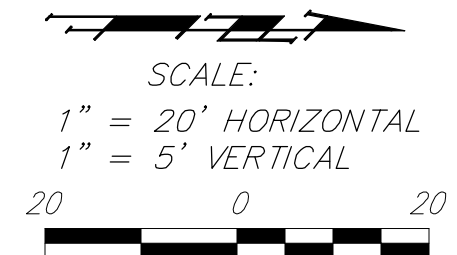
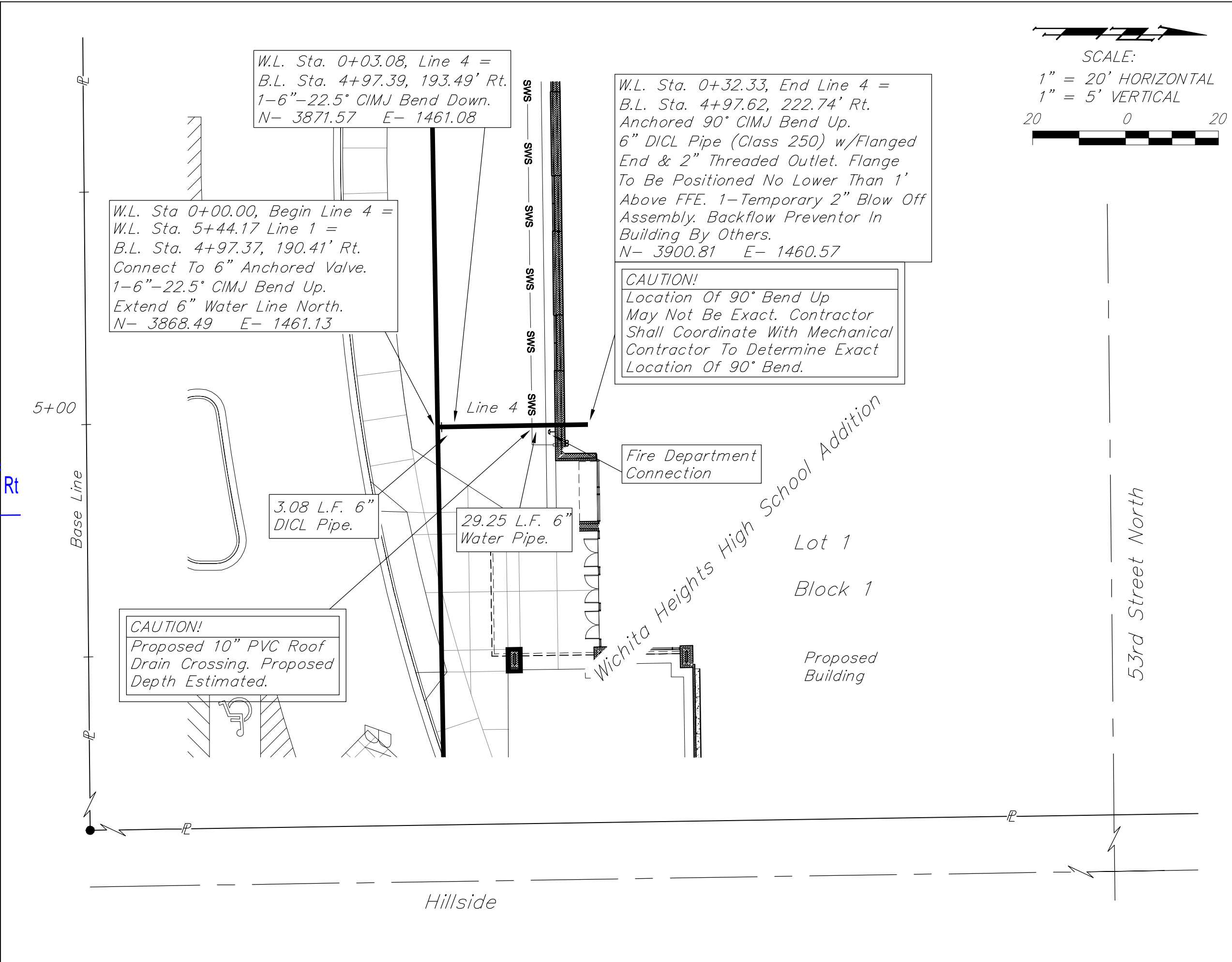
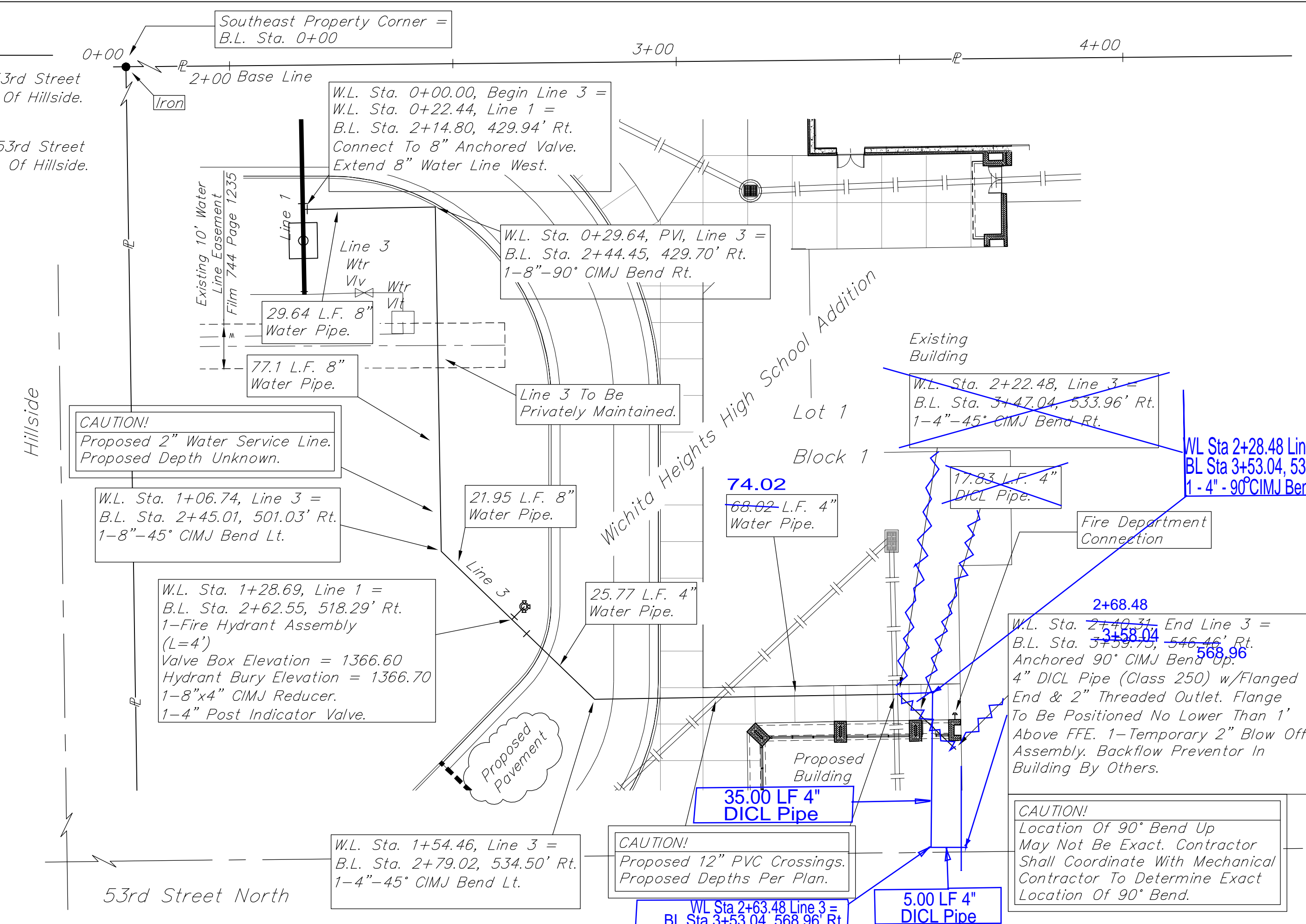
1. "□" Square Cut On Headwall South Side Of 53rd Street North Approximately 736.3' West Of Center Line Of Hillside. Elev. = 1369.93 NAVD 88
2. "□" Square Cut On Headwall South Side Of 53rd Street North Approximately 1522.1' West Of Center Line Of Hillside. Elev. = 1369.94 NAVD 88



NOTE:
Contractor Shall Sand Backfill, Flush, & Vibrate Line #3 When Pipe Is Under Pavement.

Contractor Shall Follow All Applicable Best Management Practices (BMP) For Erosion Control.

Contractor To Use Extreme Caution When Excavating Near Utility Lines. Contractor To Hand Dig To Expose All Utility Lines Prior To Construction. Verify Depth To Determine Conflict If Any.



		Water Lines & Fire Hydrants To Serve	
		Wichita Heights High School Addition Lot 1, Block 1	
Baughman Company, P.A. 315 Ellis St. Wichita, KS 67211 P 316-263-7271 F 316-263-0149 ENGINEERING SURVEYING PLANNING LANDSCAPE ARCHITECTURE		DESIGN	DRAWN
PROJECT NUMBER 1527 PPW (607853)		LU	LU
REVISIONS:		APPROVED	DATE
		LU	08/10
		SCALE	
		Noted	
		SHEET	
		8R OF 10	
Heights High School 09-09-E400 Site Plan\Wtr		09-09-E400	