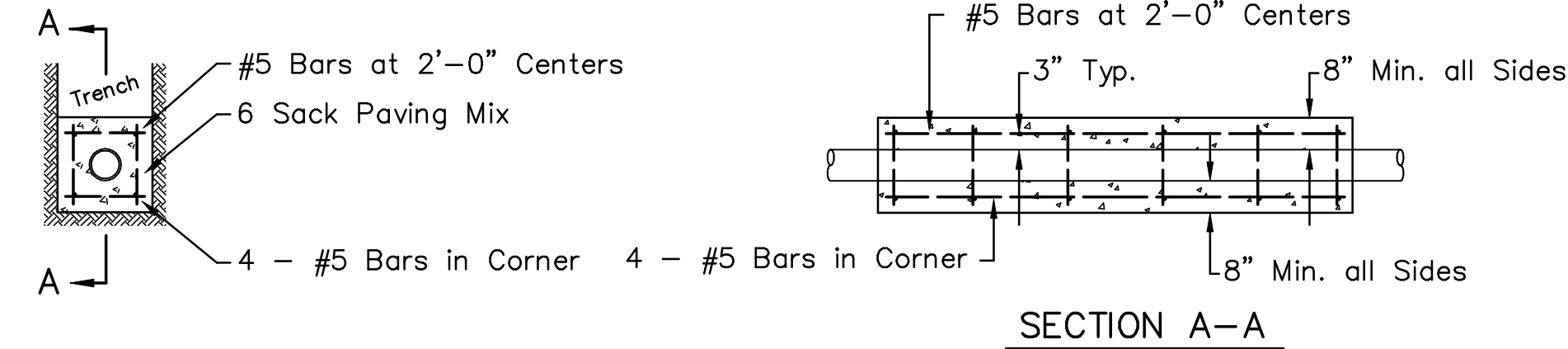


REINFORCED CONCRETE ENCASUREMENT OF SANITARY SEWER



GREAT PLAINS BUSINESS PARK JRD ADDITION—PHASE

LINE NO. 1 & 2

CITY OF WICHITA, KANSAS
MICHAEL E. LINDEBAK, P.E. — CITY ENGINEER
Prof.# 448-88692 O.C.A.# 735066

POE & ASSOCIATES OF KANSAS, INC.
CONSULTING ENGINEERS
5940 E. Central, Suite 200 ■ Wichita, KS 67208-4242
Phone 316/685-4114 ■ FAX 316/685-4444

FINAL

Designed By: J. Ubert / B. Kulla
Drawn By: B. Kulla
Poe Job No.: 1674C
Date: June 2002

Sheet 5 of 7