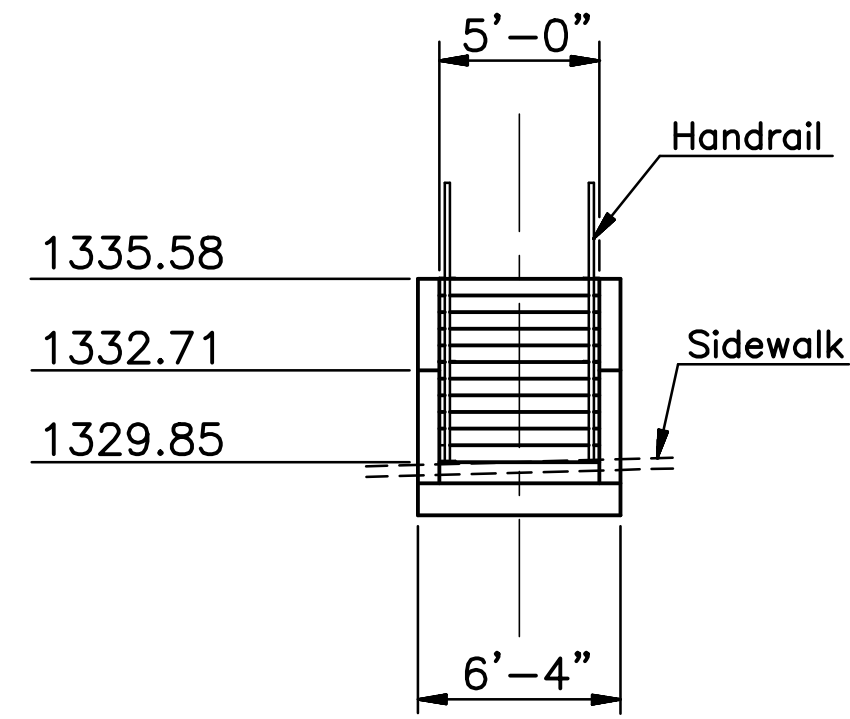


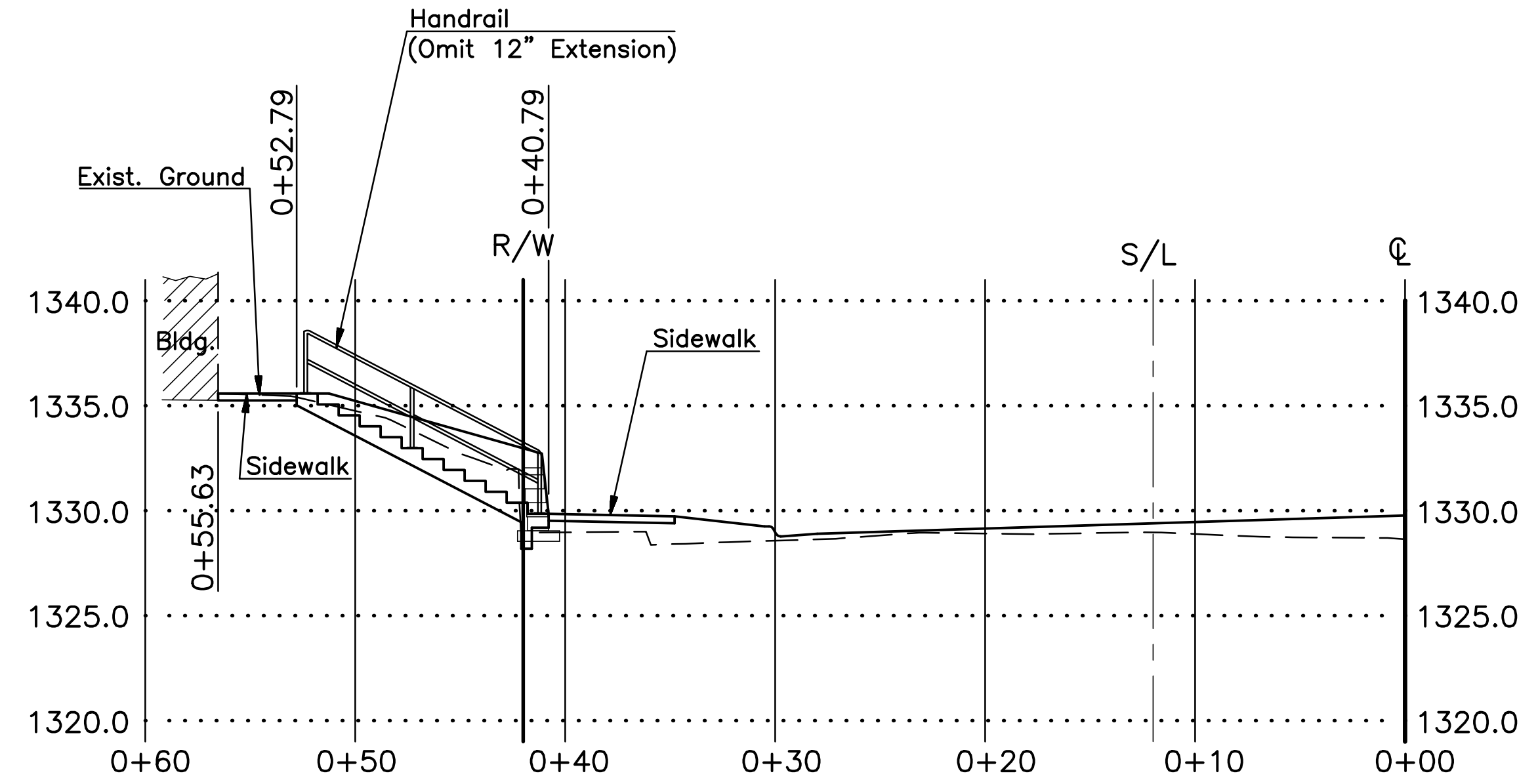
STEP DIMENSIONS

"T" = 12" (12)
 "R" = 6 1/4" (11)



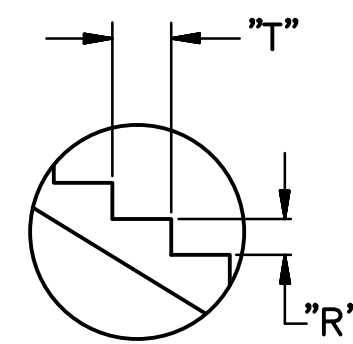
STEPS ELEVATION

13th Street Sta. 40+73.77 Lt.



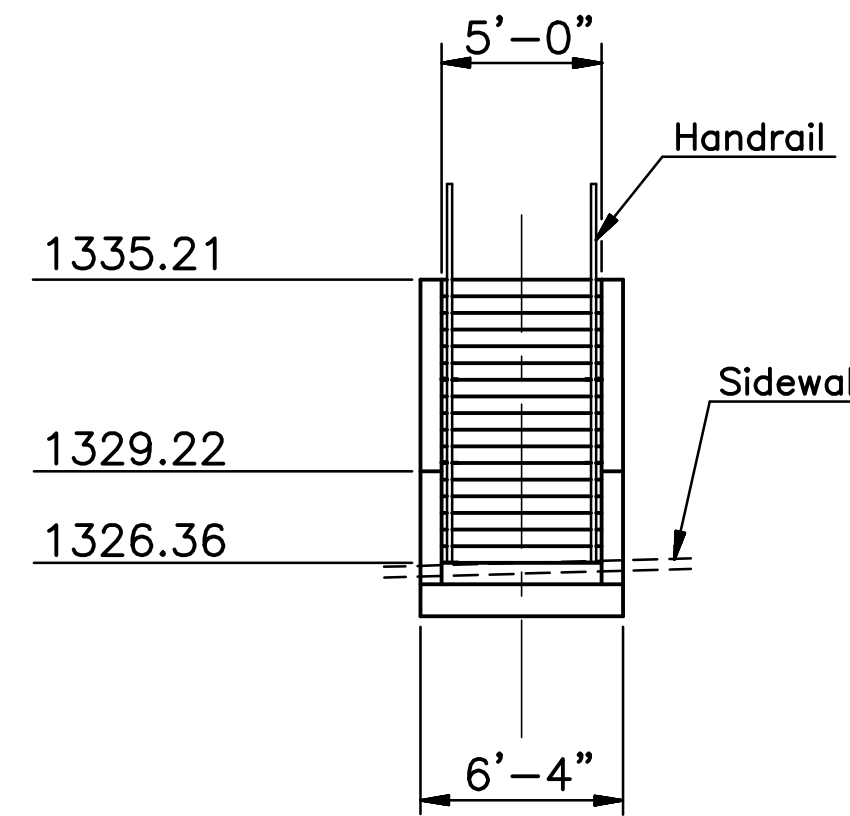
STEPS PROFILE

13th Street Sta. 40+73.77 Lt.



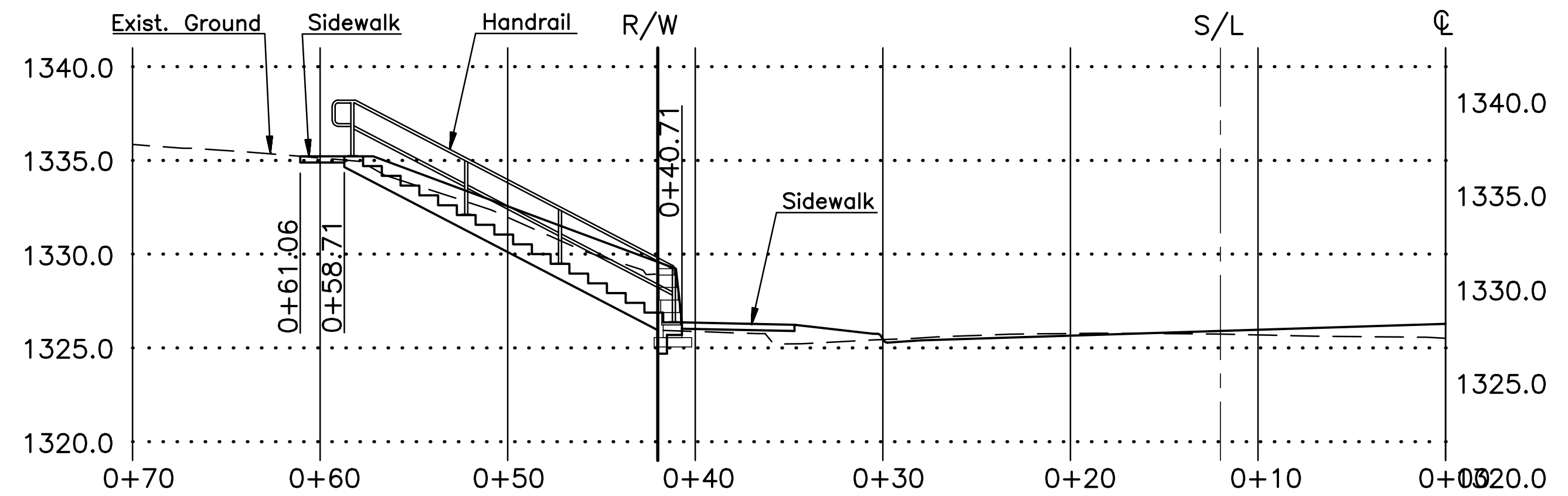
STEP DIMENSIONS

"T" = 12" (18)
 "R" = 6 1/4" (17)



STEPS ELEVATION

13th Street Sta. 39+21.48 Lt.



STEPS PROFILE

13th Street Sta. 39+21.48 Lt.

No.	Date	By	Approved	Revision
1				
2				
3				

13th STREET NORTH FROM KANSAS TO OLIVER
 STREET & DRAINAGE IMPROVEMENTS
 13th STREET STEPS AND HANDRAIL
CITY OF WICHITA, KANSAS
 JAMES L. ARMOUR, P.E. - CITY ENGINEER

POE & ASSOCIATES, INC.
 CONSULTING ENGINEERS
 5940 E. Central, Suite 200 • Wichita, KS 67208-4242
 Phone 316/685-4114 • FAX 316/685-4444



FINAL
 Designed By: P. Ferguson
 Drawn By: P. Ferguson
 City Job No.: 472-84320
 Date: March 2012