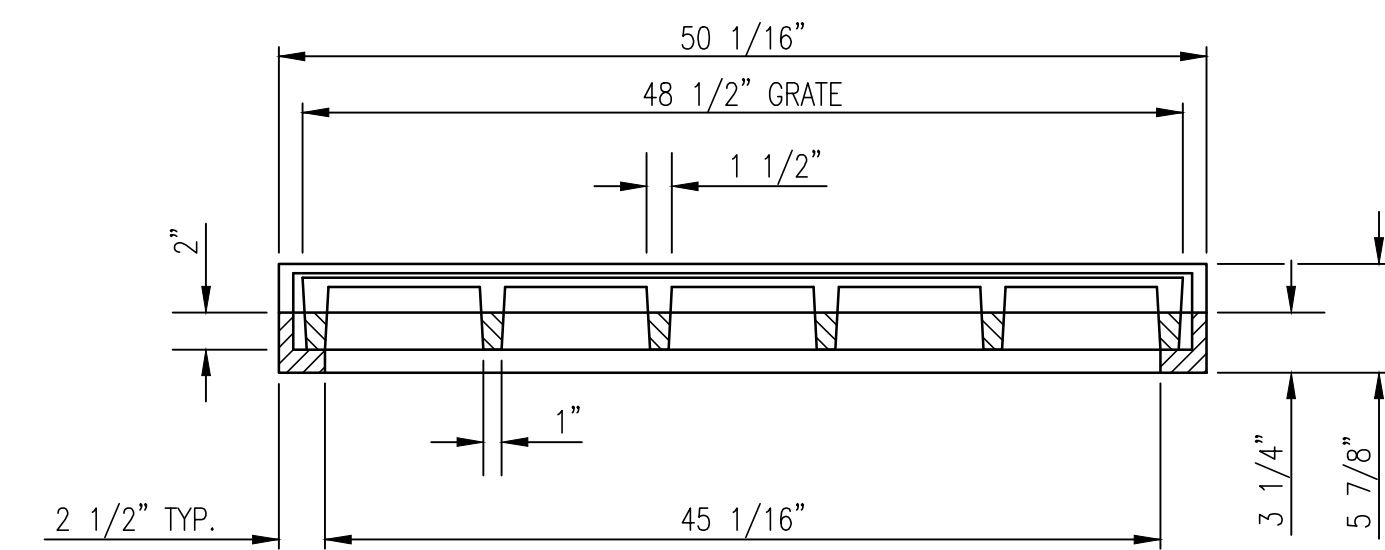
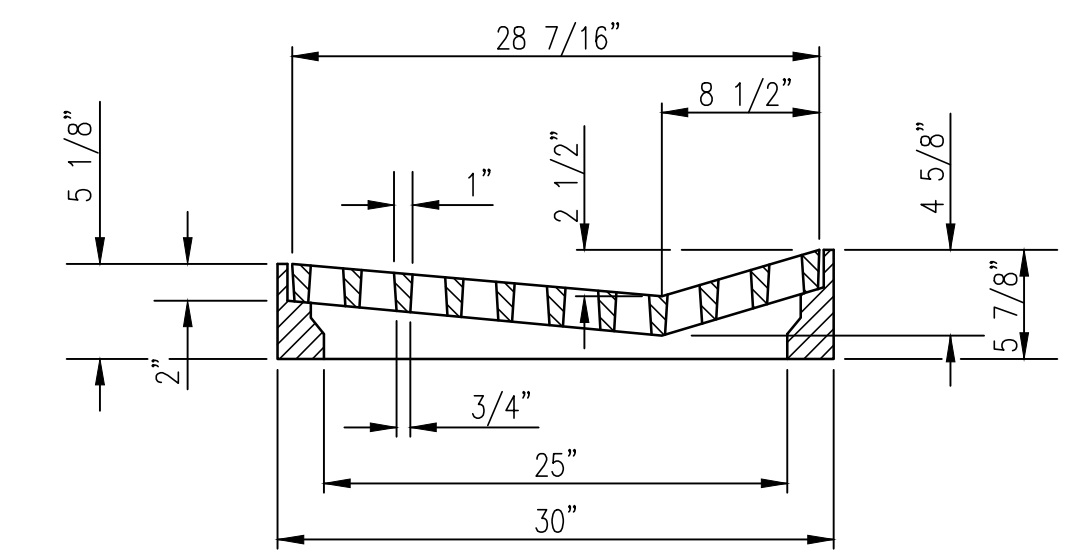


PLAN
DEETER #2095 FRAME & GRATE

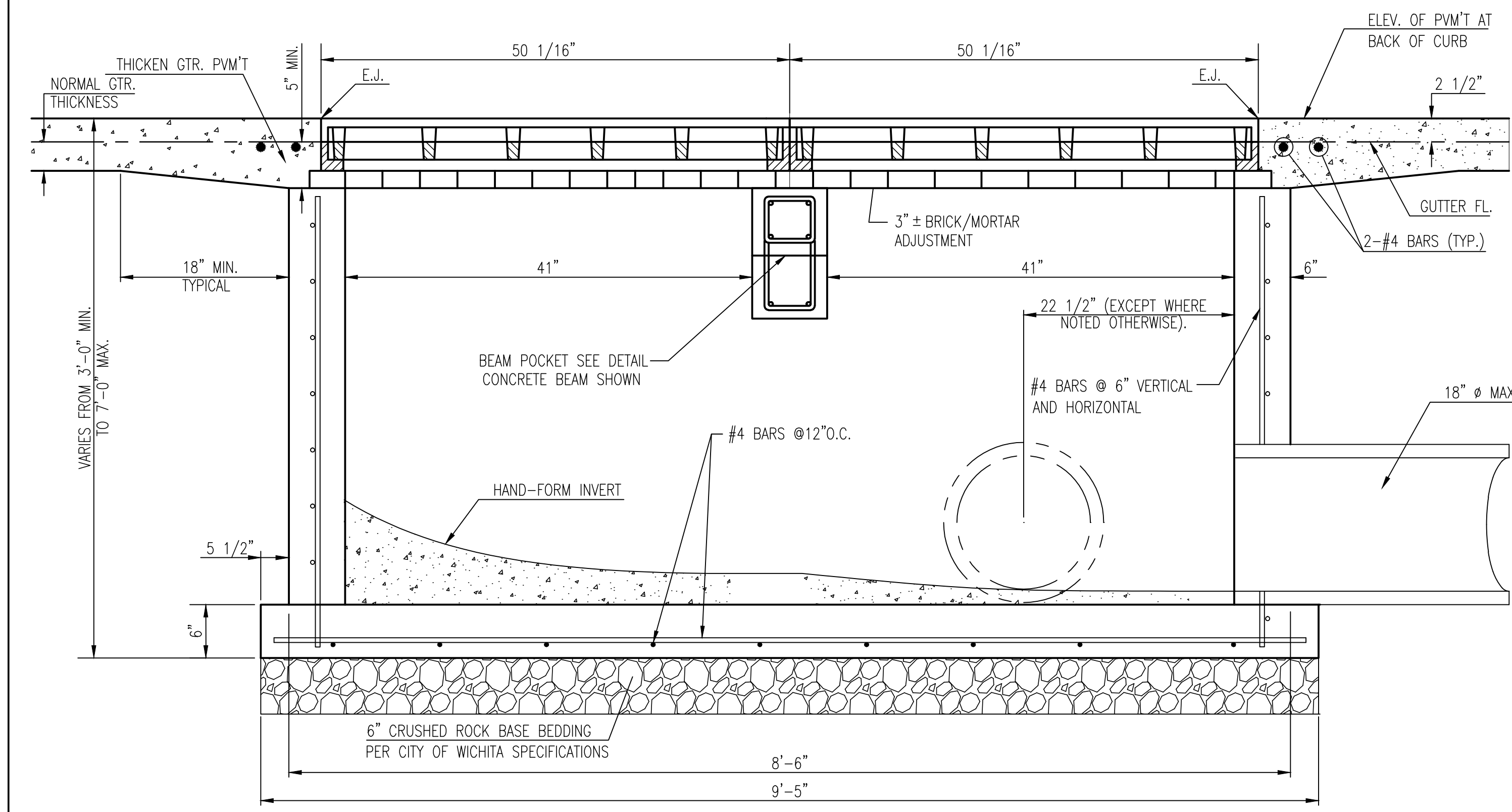
TOTAL WEIGHT: 705 LBS.
(2 EACH REQUIRED)
OR EJIW #7392



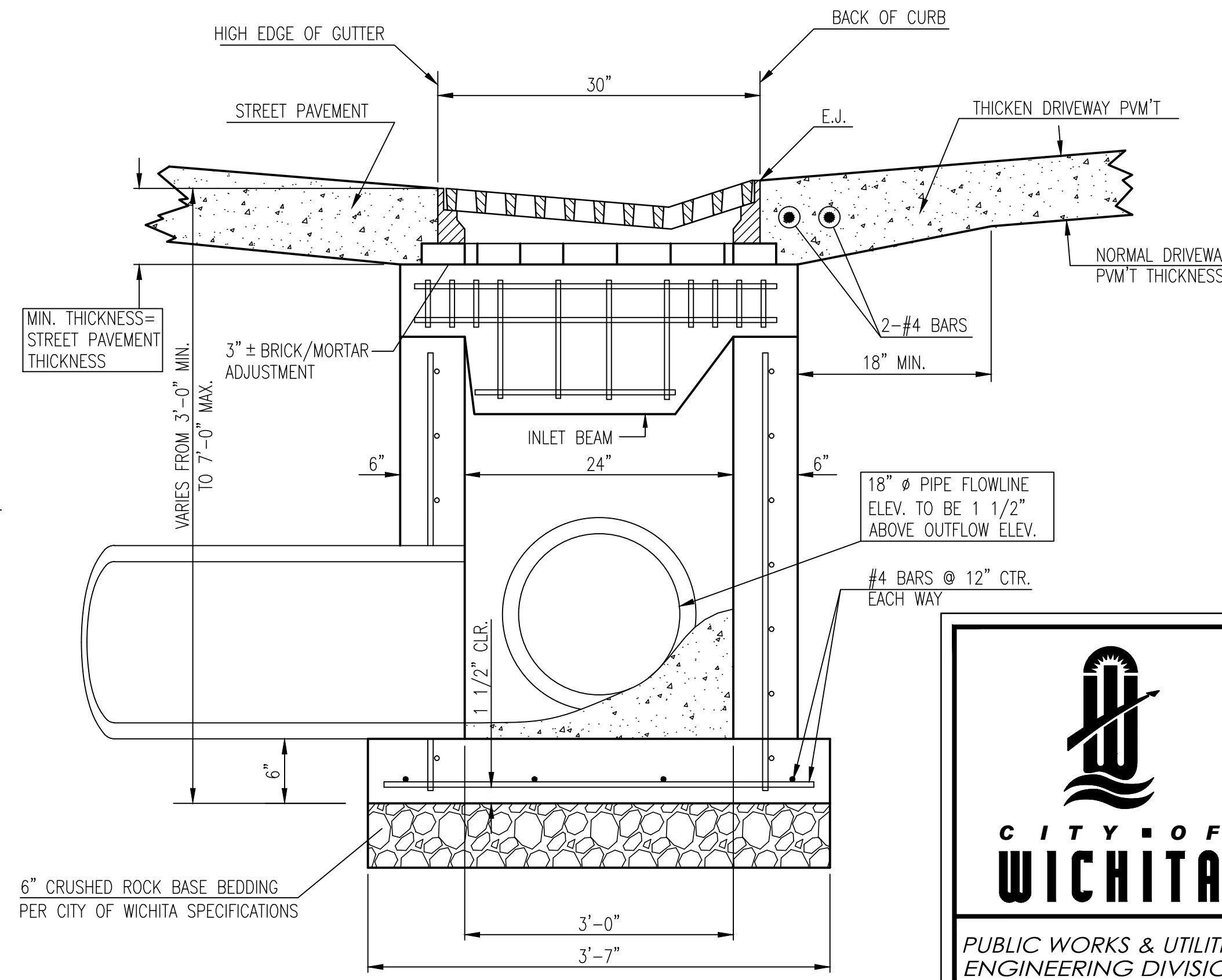
SECTION D-D



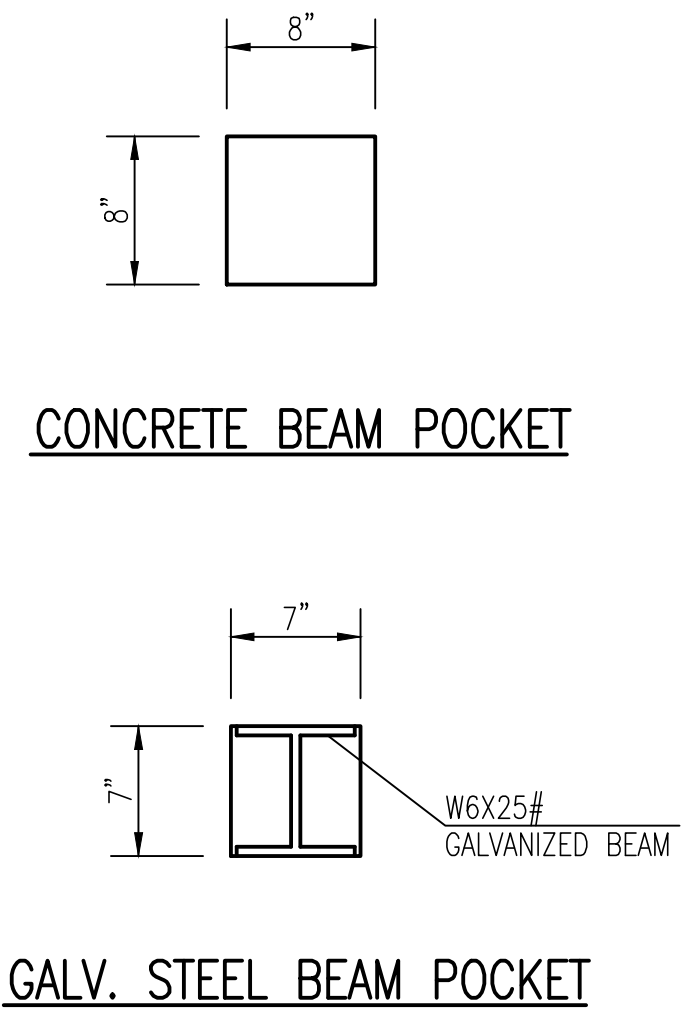
SECTION C-C



SECTION A-A



SECTION B-B



GENERAL NOTES

1. GRATE FRAME TO BE INSTALLED ON THIN MORTAR CUSHION TO INSURE FULL SUPPORT ALONG BRICK. CONCRETE USED FOR INLET CONSTRUCTION SHALL CONFORM TO CITY OF WICHITA SPECIFICATIONS FOR CONCRETE PAVEMENT MIX.
2. CONTRACTOR SHALL HAVE THE OPTION OF CONSTRUCTING 8" BRICK MASONRY WALL BETWEEN THE CONCRETE INLET BASE AND TOP OF THIS INLET WHEN H=7'-0" OR LESS.
3. INLET INVERT SHALL BE SHAPED WITH 8 SACK SAND MIX CONCRETE TO CREATE FLOW CHANNELS AND TO INCREASE HYDRAULIC EFFICIENCY SUCH THAT THE INLET WILL BE SELF CLEANING BETWEEN ALL INLET AND/OR OUTLET PIPES.
4. THE ENDS OF ALL PIPES INSTALLED IN INLETS SHALL BE CUT OFF FLUSH WITH THE INSIDE FACE OF THE INLET WALL.
5. INLET FRAME AND GRATE TO BE DEETER #2095, EJIW #7392, OR APPROVED EQUAL.
6. CONTRACTOR SHALL REMOVE LIFTING HOOKS AFTER INSTALLATION. RECESSES IN INLET WALL SHALL BE GROUTED FLUSH TO THE INLET WALL WITH HYDRAULIC CEMENT AFTER THE INLET IS IN PLACE. LIFTING HOLES THRU THE INLET WALL WILL NOT BE ACCEPTED.



<p>GRADED DRIVEWAY INLET (DOUBLE)</p> <p>CITY ENGINEER JAMES L. ARMOUR, P.E., L.S.</p>		
PROJECT NUMBER	OCA NUMBER	DATE
472-84320	706933	03/2012
<p>CITY ENGINEER'S OFFICE</p> <p>CITY HALL - SEVENTH FLOOR 455 NORTH MAIN STREET WICHITA, KANSAS 67202-1620 (316) 268-4501</p>		
DESIGN	DRAWN	SHEET

13TH STREET NORTH FROM HYDRAULIC TO OLIVER STREET & DRAINAGE IMPROVEMENTS
GRADED DRIVEWAY INLET (DOUBLE)
CITY OF WICHITA, KANSAS
JAMES L. ARMOUR, P.E., L.S. - CITY ENGINEER
C.O.W. Proj.# 472-84320 O.C.A.# 706933

POE & ASSOCIATES, INC.
CONSULTING ENGINEERS
5940 E. Central, Suite 200 ■ Wichita, KS 67208-4242
Phone 316.685.1111 ■ FAX 316.685.4444

DESIGNED By: J. DICKMAN
DRAWN By: M. TUCKER
Poe Job No.: 1871A
Date: March 2012

Sheet
95 of 374