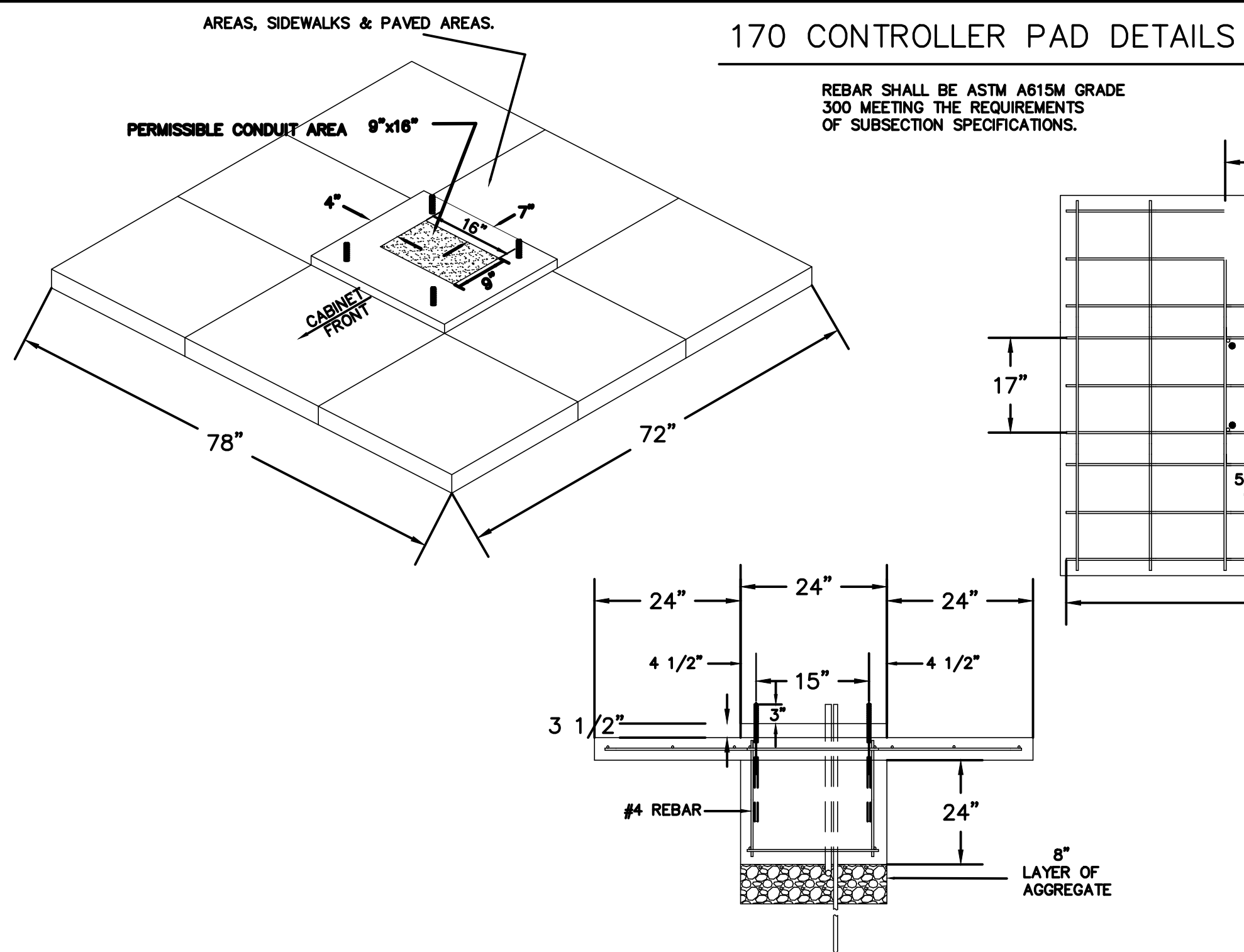
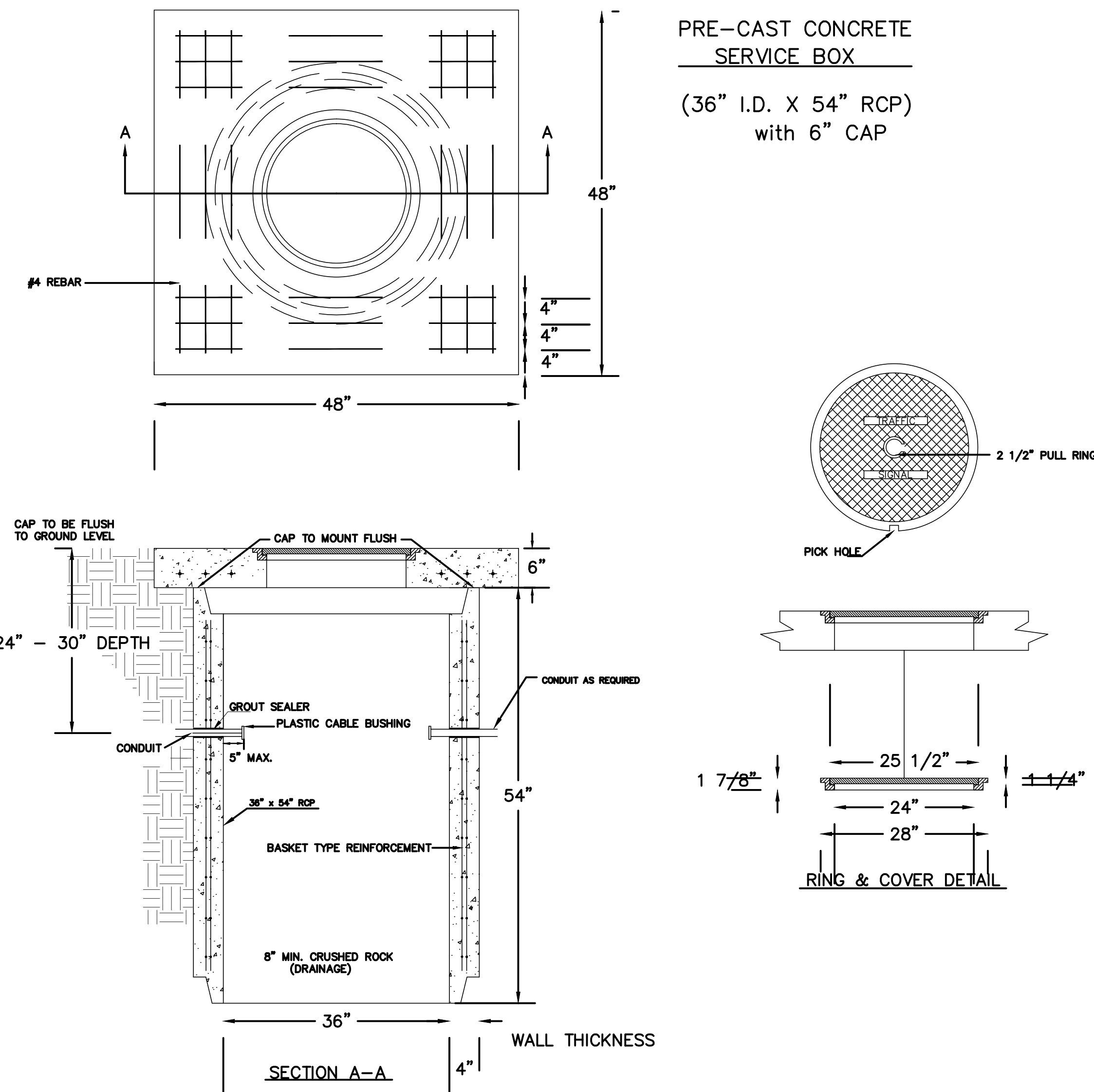
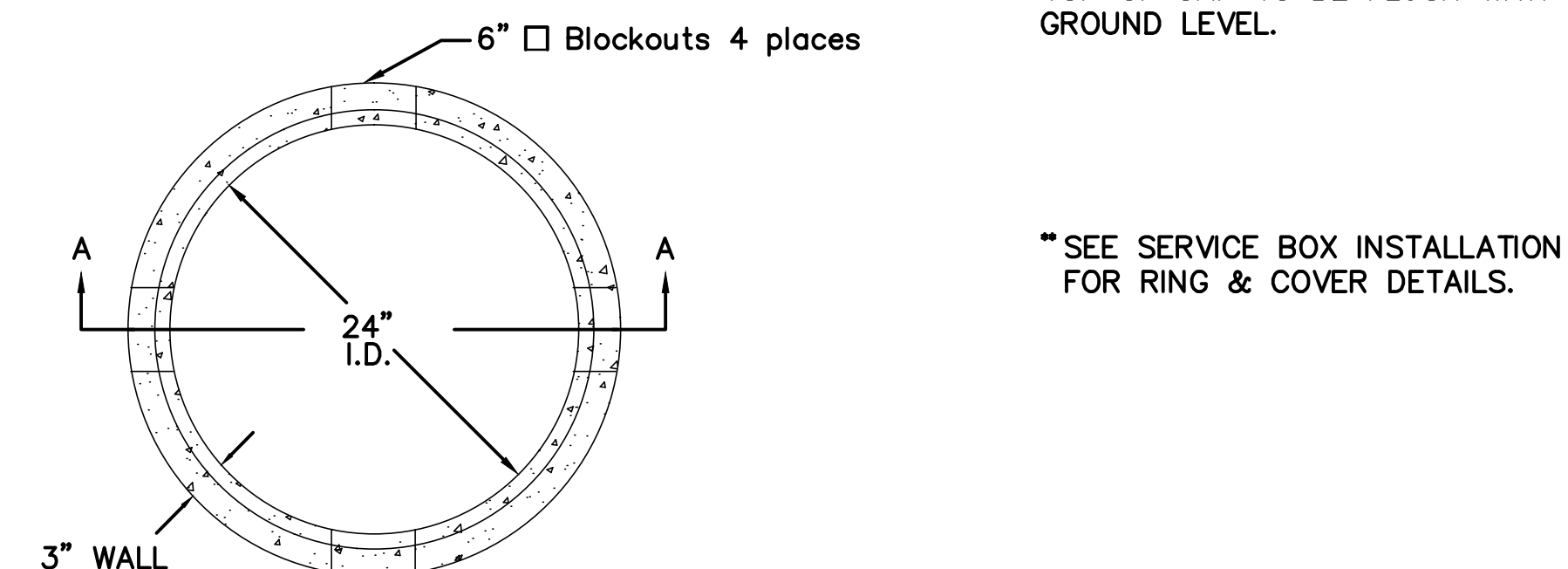
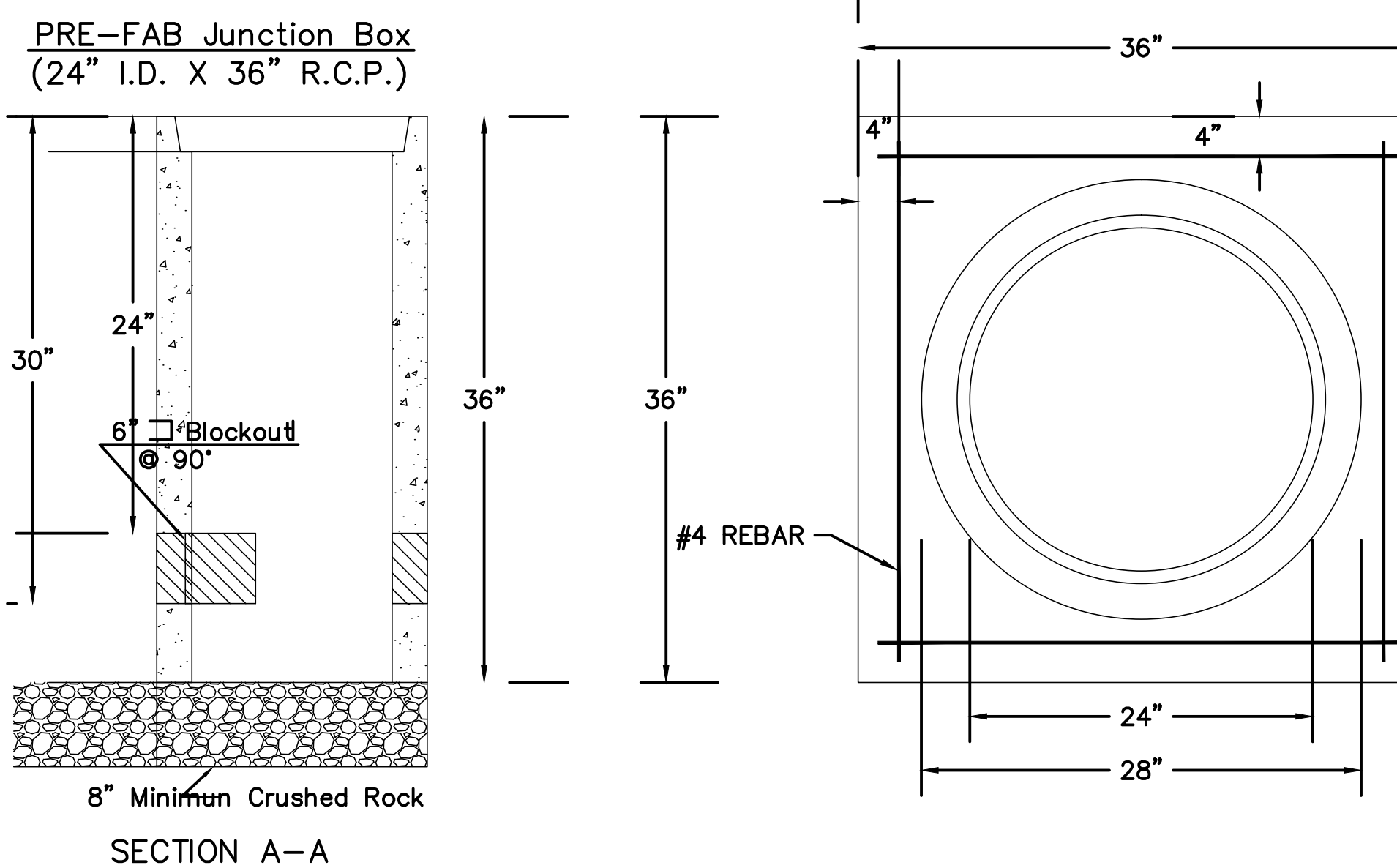


SERVICE BOX CONSTRUCTION/INSTALLATION DETAILS



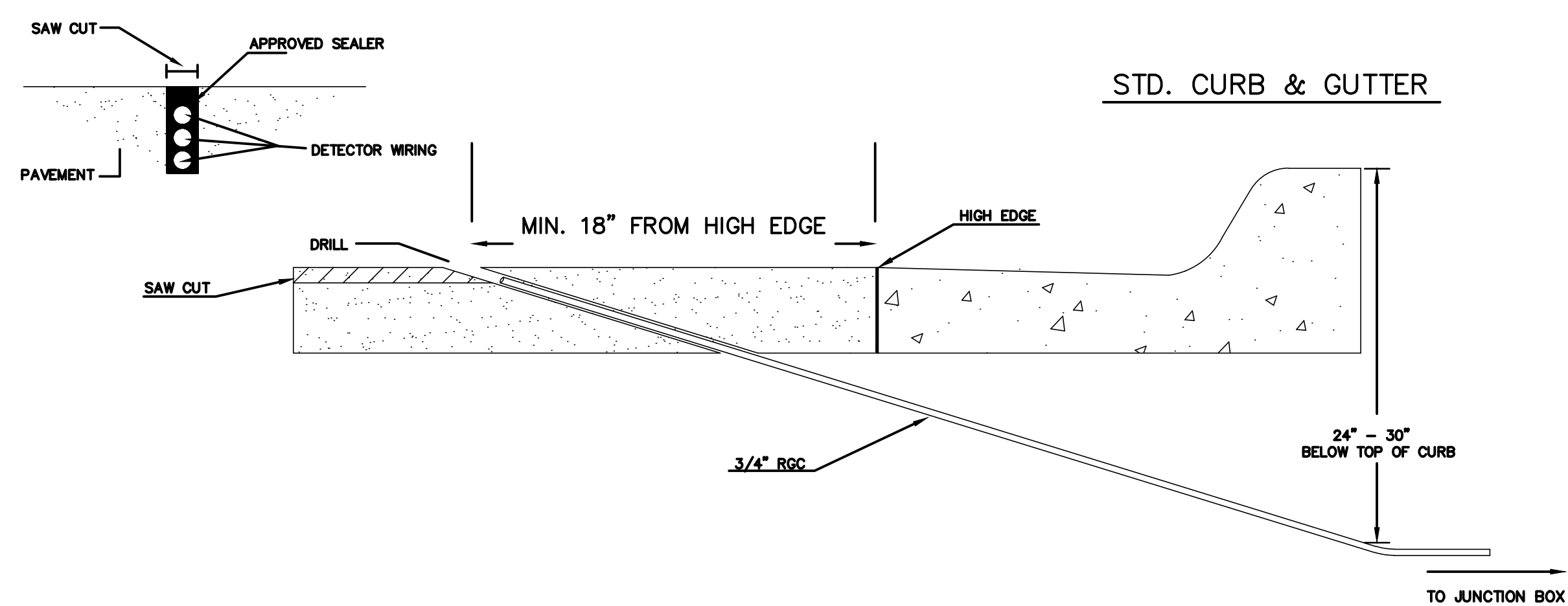
JUNCTION BOX DETAILS



NOTES:

- SERVICE & JUNCTION BOX:**
- CONDUIT CONNECTION TO BE FLUSH TO WITHIN 5" OF INSIDE FACE OF SIDE WALL, CONDUIT TO DRAIN INTO SERVICE BOX.
 - CONDUIT CONNECTIONS TO SERVICE BOX SHALL BE TERMINATED WITH PLASTIC CABLE BUSHING.
 - CONDUIT SHALL BE SEALED WITH APPROVED SEALER AT INSIDE FACE.
 - ALL SERVICE & JUNCTION BOXES TO HAVE 8" OF CRUSHED ROCK.
- TRENCHING:**
- DEPTH TO BE 30" MINIMUM WITH ROCK & STUBBLE FREE BACKFILL TO SERVE AS BEDDING MATERIAL. MAINTAIN MINIMUM CONDUIT DEPTH IN TRENCH.
 - BACKFILL TO BE COMPACTED IN 6" LOOSE LIFTS BY HAND OR MECHANICAL TAMPING TO A 95% STANDARD DENSITY.
- CONDUIT:**
- SLOPE CONDUIT TO DRAIN AS DIRECTED BY THE ENGINEER.
 - 3" RIGID STEEL CONDUIT BTWN. SERVICE BOXES.
2" " " " BTWN. SERVICE BOX AND POLE.
1 1/4" " " " BTWN. SERVICE & JUNCTION BOXES.
3/4" " " " BTWN. JUNCTION BOXES.
3/4" " " " BTWN. JUNCTION BOX & DETECTOR LOOP SAW CUT

CONDUIT/DETECTOR WIRE INSTALLATION DETAILS



No.	Date	By	Approved	Revision

13TH STREET NORTH FROM KANSAS TO OLIVER

CITY OF WICHITA, KANSAS
SERVICE/JUNCTION BOX, CONTROLLER PAD CONSTRUCTION/INSTALLATION DETAILS

POE & ASSOCIATES, INC.
CONSULTING ENGINEERS
5940 E. Central, Suite 200 • Wichita, KS 67208-4242
Phone 316/685-4114 • FAX 316/685-4444

WICHITA ENGINEERING

Engineer: P. FERGUSON
Designer: P. FERGUSON
CITY Job No.: 472-84320
Date: March, 2012

PROJECT DESCRIPTION
SERVICE/JUNCTION BOX, CONTROLLER PAD CONSTRUCTION/INSTALLATION DETAILS

PROJECT NUMBER

DRAWN BY: T.M.
DATE: Apr. 96

APPROVED BY: P. FERGUSON
DATE: Jan. 2006

REVISED: A.S.
DATE: Jan. 2006

CITY OF WICHITA
DEPARTMENT OF PUBLIC WORKS
TRAFFIC ENGINEERING DIVISION

SCALE

Sheet 172 of 374